



US00D370367S

United States Patent [19]

Cassier et al.

[11] **Patent Number:** Des. 370,367

[45] **Date of Patent:** **Jun. 4, 1996

[54] **DISPLAY APPARATUS**

5,078,283 1/1992 Wilson 211/187
5,291,700 3/1994 Chew .

[75] Inventors: **Daniel Cassier**, Wheaton; **Kenneth A. Shaw**, Lombard; **Edward I. Knorring, Jr.**, Wheaton, all of Ill.

Primary Examiner—Alan P. Douglas
Assistant Examiner—S. Snapp
Attorney, Agent, or Firm—McAndrews, Held & Malloy, Ltd.

[73] Assignee: **B-O-F Corporation**, Lombard, Ill.

[**] Term: **14 Years**

[57] **CLAIM**

[21] Appl. No.: **34,338**

The ornamental design for the improved display apparatus, as shown and described.

[22] Filed: **Feb. 2, 1995**

[52] **U.S. Cl.** **D6/449**

[58] **Field of Search** D6/449, 450, 451,
D6/467, 471, 396, 429; 40/124.1, 124.4,
124; 211/198, 187, 134

DESCRIPTION

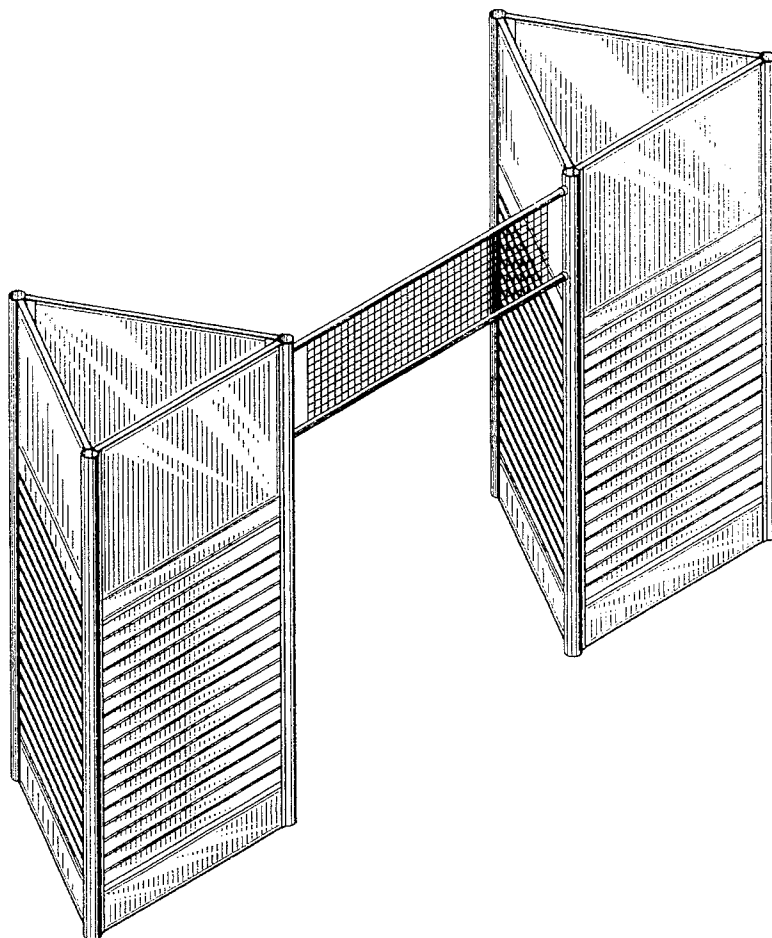
FIG. 1 is a front perspective view of the improved display apparatus, shown with two display towers;
FIG. 2 is a front view of the improved display apparatus shown with two display towers;
FIG. 3 is a top view of the improved display apparatus shown with two display towers;
FIG. 4 is a bottom view of the improved display apparatus shown with two display towers;
FIG. 5 is a rear view of the improved display apparatus shown with two display towers;
FIG. 6 is a first side view of the improved display apparatus shown with two display towers; and,
FIG. 7 is a second side view of the improved display apparatus shown with two display towers.

[56] **References Cited**

U.S. PATENT DOCUMENTS

- 2,145,030 1/1939 Press .
- 3,112,912 12/1963 Alvarez .
- 3,662,807 5/1972 Miller .
- 3,962,827 6/1976 Chaffee .
- 4,102,089 7/1978 Paisley .
- 4,166,332 9/1979 Donovan .
- 4,331,243 5/1982 Doll .
- 4,928,465 5/1990 Del Castillo von Haucke .
- 5,004,198 4/1991 Jager .

1 Claim, 5 Drawing Sheets



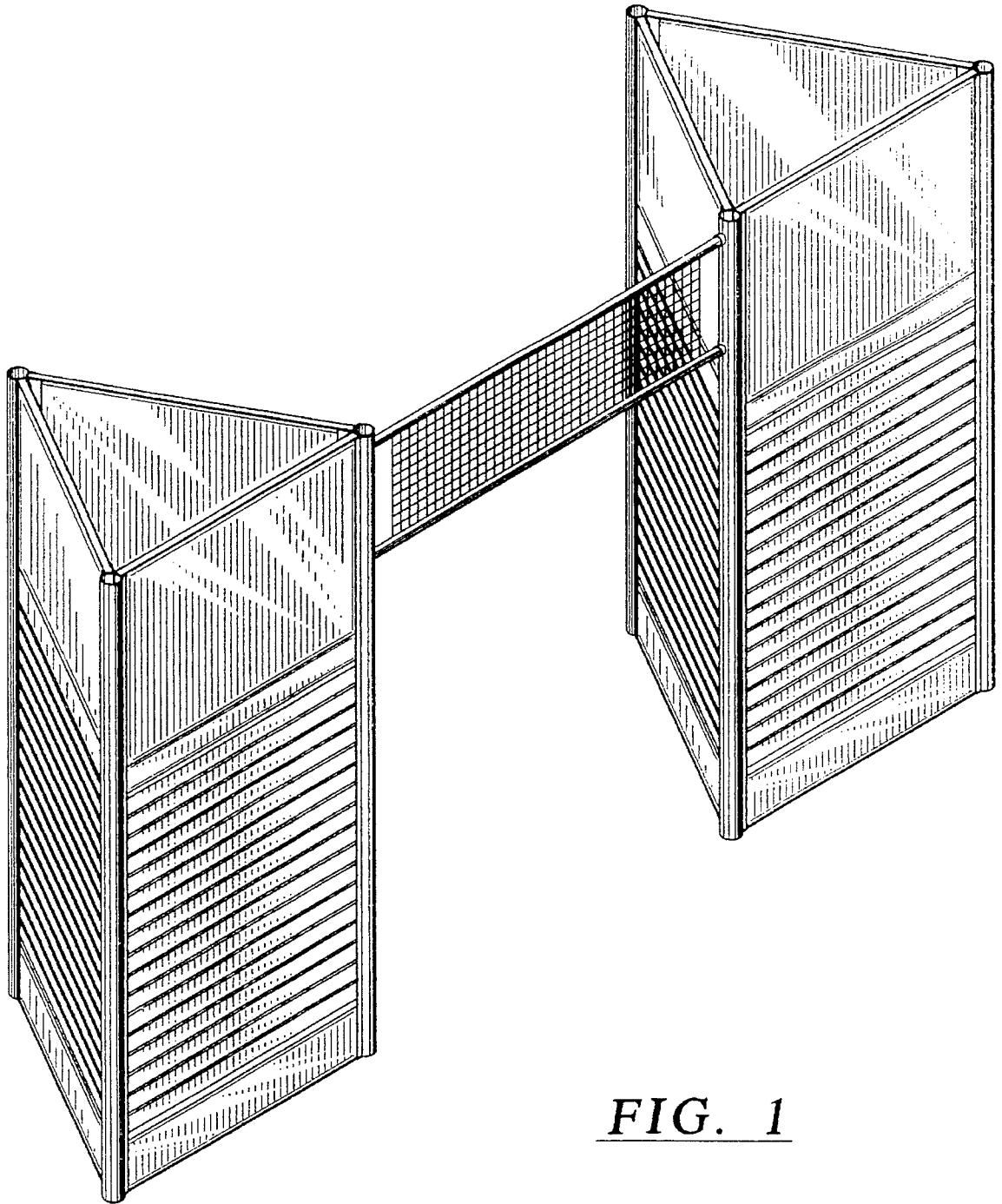


FIG. 1

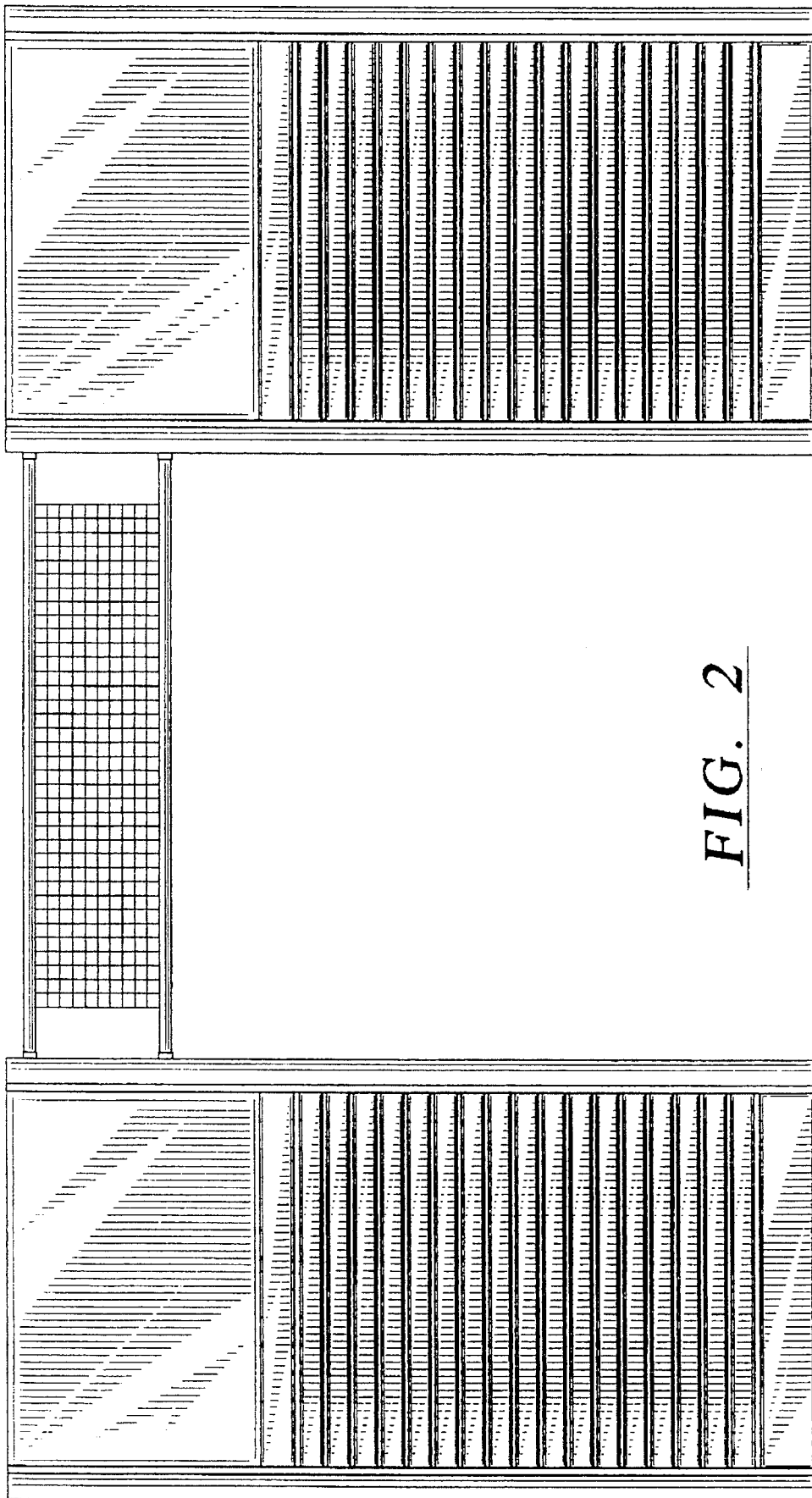


FIG. 2

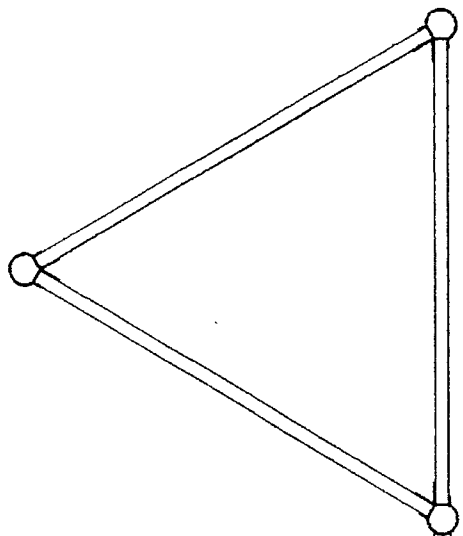


FIG. 3

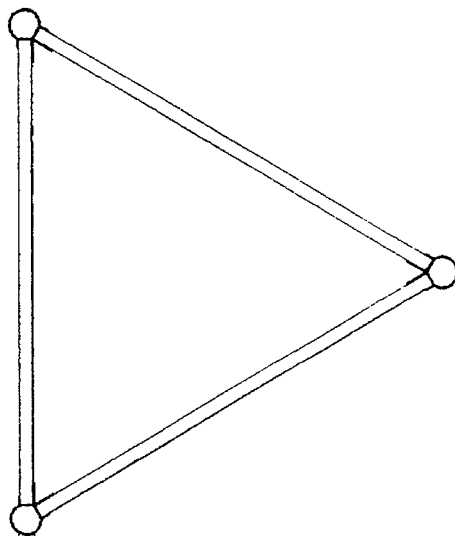
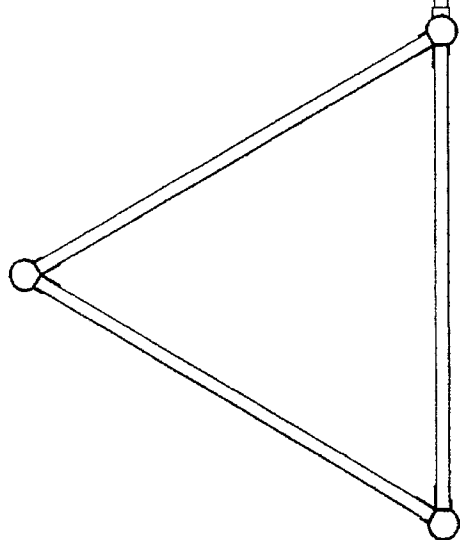
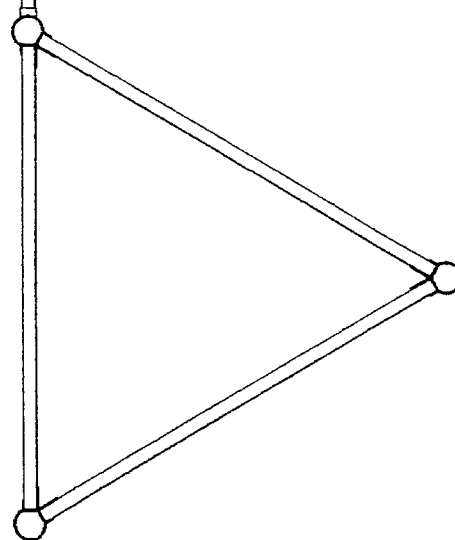


FIG. 4



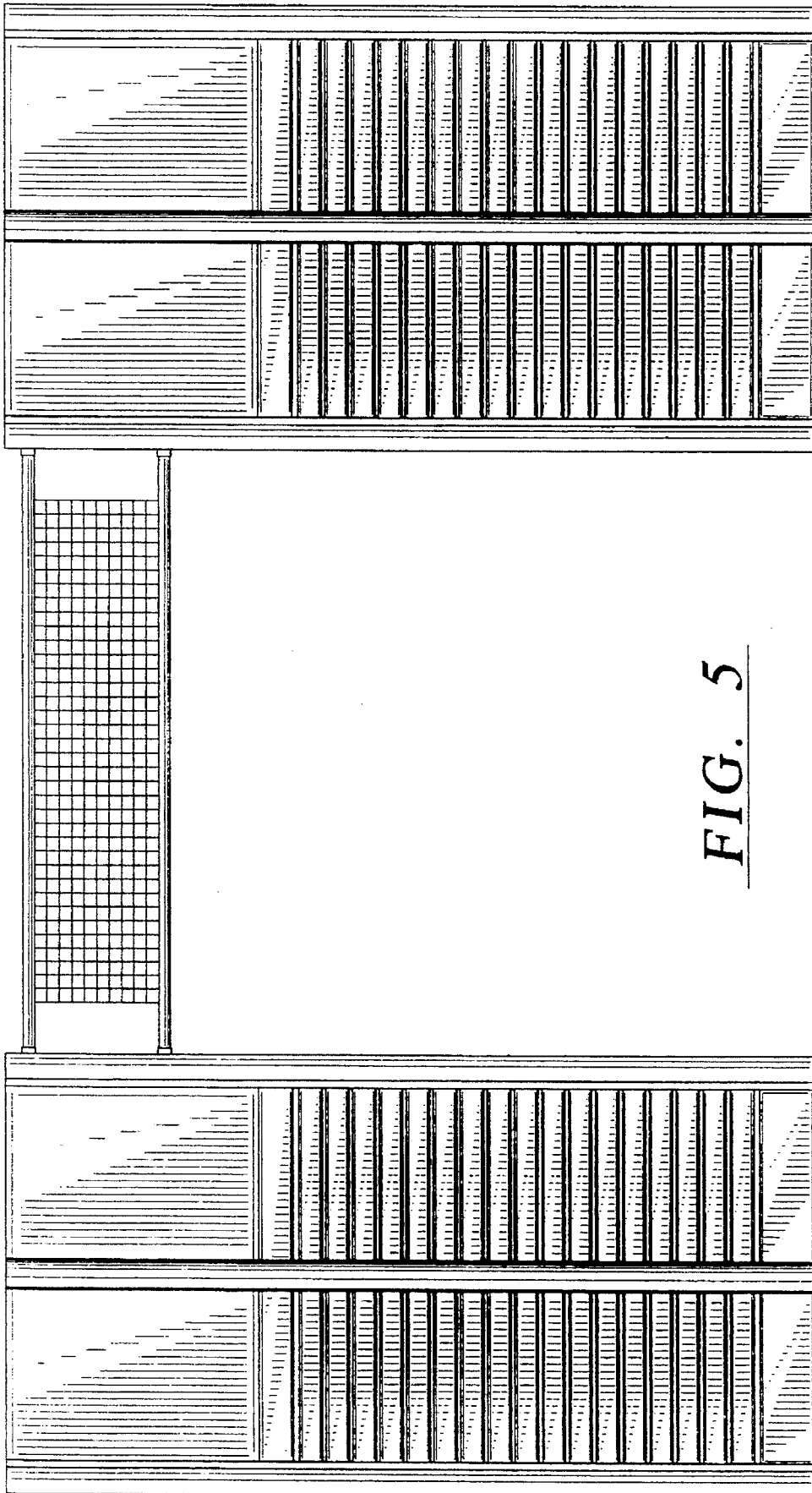


FIG. 5

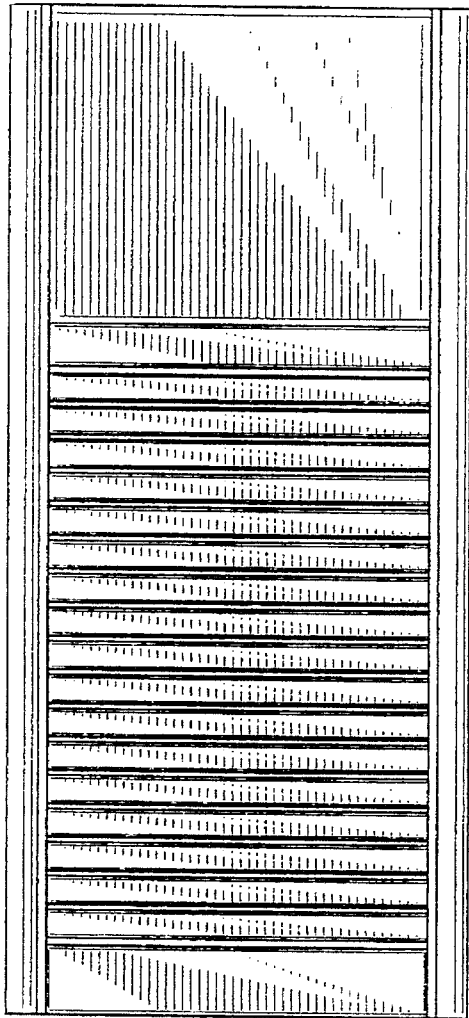


FIG. 6

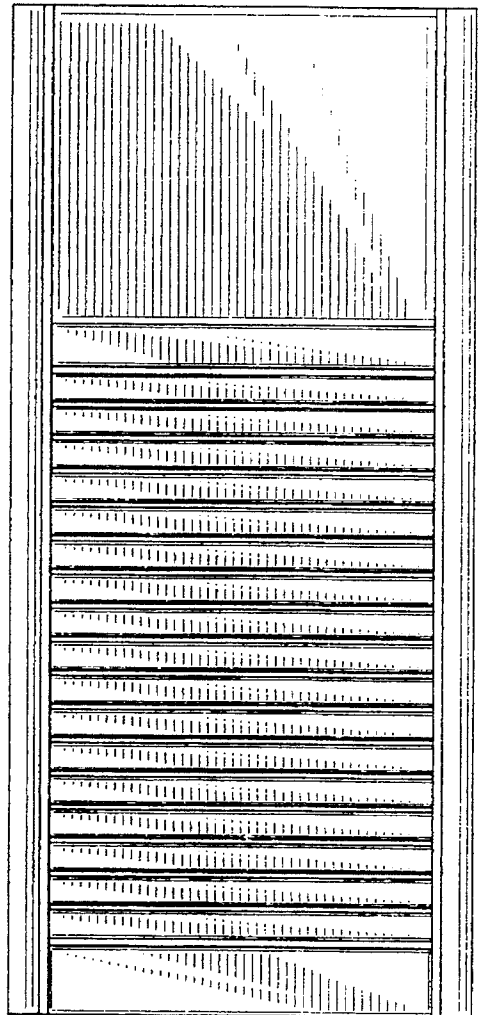


FIG. 7