

(19) World Intellectual Property Organization
International Bureau



(43) International Publication Date
31 August 2000 (31.08.2000)

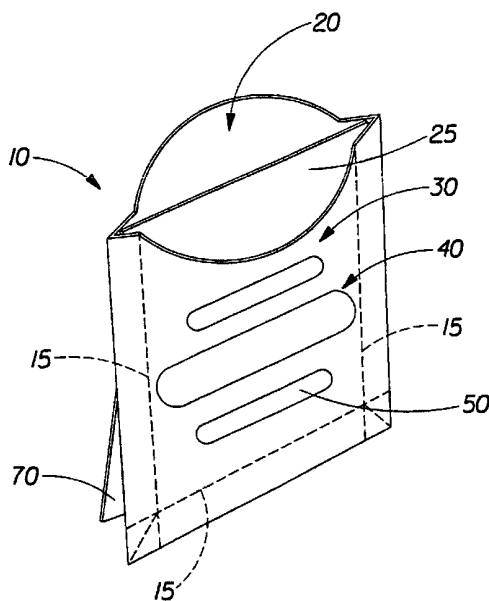
PCT

(10) International Publication Number
WO 00/50318 A3

- (51) International Patent Classification⁷: B65D 81/34
- (21) International Application Number: PCT/US00/04184
- (22) International Filing Date: 18 February 2000 (18.02.2000)
- (25) Filing Language: English
- (26) Publication Language: English
- (30) Priority Data:
09/255,212 22 February 1999 (22.02.1999) US
- (71) Applicant: THE PROCTER & GAMBLE COMPANY
[US/US]; One Procter & Gamble Plaza, Cincinnati, OH
45202 (US).
- (72) Inventors: BONO, James, Lee; 7302 Southpointe Drive,
Cincinnati, OH 45233 (US). TUCKER, Lewis, Alexan-
der; 5623 Lake Meade Drive, Fairfield, OH 45014 (US).
- (74) Agents: REED, T., David. et al.; The Procter & Gam-
ble Company, 5299 Spring Grove Avenue, Cincinnati, OH
45217-1087 (US).
- (81) Designated States (*national*): AE, AL, AM, AT, AT (uti-
lity model), AU, AZ, BA, BB, BG, BR, BY, CA, CH, CN,
CR, CU, CZ, CZ (utility model), DE, DE (utility model),
DK, DK (utility model), DM, EE, EE (utility model), ES,
FI, FI (utility model), GB, GD, GE, GH, GM, HR, HU, ID,
IL, IN, IS, JP, KE, KG, KP, KR, KZ, LC, LK, LR, LS, LT,
LU, LV, MA, MD, MG, MK, MN, MW, MX, NO, NZ, PL,
PT, RO, RU, SD, SE, SG, SI, SK, SK (utility model), SL,
TJ, TM, TR, TT, TZ, UA, UG, UZ, VN, YU, ZA, ZW.
- (84) Designated States (*regional*): ARIPO patent (GH, GM,
KE, LS, MW, SD, SL, SZ, TZ, UG, ZW), Eurasian patent
(AM, AZ, BY, KG, KZ, MD, RU, TJ, TM), European patent
(AT, BE, CH, CY, DE, DK, ES, FI, FR, GB, GR, IE, IT, LU,
MC, NL, PT, SE), OAPI patent (BF, BJ, CF, CG, CI, CM,
GA, GN, GW, ML, MR, NE, SN, TD, TG).
- Published:
— With international search report.
- (88) Date of publication of the international search report:
7 December 2000

[Continued on next page]

(54) Title: MICROWAVE PACKAGING WITH IMPROVED ORIENTATION FEATURE



(57) Abstract: The present invention is directed to a package (10) for heating and/or cooking a food product in a microwave oven in which the package (10) includes means (70) for supporting the package (10) at an angle between about 0 degrees to about 90 degrees relative to a horizontal surface. The present invention is also directed to a kit (80) for heating and/or cooking a food product in a microwave oven. The kit (80) comprises a first package (10) containing the food products to be heated and/or cooked and a second microwaveable package. The microwave package of the present invention may also include a flexible, two-sided divider (25).

WO 00/50318 A3



For two-letter codes and other abbreviations, refer to the "Guidance Notes on Codes and Abbreviations" appearing at the beginning of each regular issue of the PCT Gazette.

INTERNATIONAL SEARCH REPORT

International Application No

PCT/US 00/04184

A. CLASSIFICATION OF SUBJECT MATTER
IPC 7 B65D81/34

According to International Patent Classification (IPC) or to both national classification and IPC

B. FIELDS SEARCHED

Minimum documentation searched (classification system followed by classification symbols)
IPC 7 B65D

Documentation searched other than minimum documentation to the extent that such documents are included in the fields searched

Electronic data base consulted during the international search (name of data base and, where practical, search terms used)

EPO-Internal, PAJ

C. DOCUMENTS CONSIDERED TO BE RELEVANT

Category °	Citation of document, with indication, where appropriate, of the relevant passages	Relevant to claim No.
X	WO 91 09791 A (PROCTER & GAMBLE) 11 July 1991 (1991-07-11)	1-7
Y	page 7, line 5 - line 33 page 10, line 19 -page 11, line 2; figure 6	8-10
Y	--- US 5 220 140 A (BALL MELVILLE D ET AL) 15 June 1993 (1993-06-15) column 4, line 66 -column 5, line 38	8-10
X	--- PATENT ABSTRACTS OF JAPAN vol. 014, no. 357 (M-1005), 2 August 1990 (1990-08-02) -& JP 02 127240 A (PEARL PACKAGE KK;OTHERS: 01), 15 May 1990 (1990-05-15) abstract; figures 3,5 --- -/--	1-3

Further documents are listed in the continuation of box C.

Patent family members are listed in annex.

° Special categories of cited documents :

- *A* document defining the general state of the art which is not considered to be of particular relevance
- *E* earlier document but published on or after the international filing date
- *L* document which may throw doubts on priority claim(s) or which is cited to establish the publication date of another citation or other special reason (as specified)
- *O* document referring to an oral disclosure, use, exhibition or other means
- *P* document published prior to the international filing date but later than the priority date claimed

- *T* later document published after the international filing date or priority date and not in conflict with the application but cited to understand the principle or theory underlying the invention
- *X* document of particular relevance; the claimed invention cannot be considered novel or cannot be considered to involve an inventive step when the document is taken alone
- *Y* document of particular relevance; the claimed invention cannot be considered to involve an inventive step when the document is combined with one or more other such documents, such combination being obvious to a person skilled in the art.
- *&* document member of the same patent family

Date of the actual completion of the international search

12 September 2000

Date of mailing of the international search report

20/09/2000

Name and mailing address of the ISA

European Patent Office, P.B. 5818 Patentlaan 2
NL - 2280 HV Rijswijk
Tel. (+31-70) 340-2040, Tx. 31 651 epo nl,
Fax: (+31-70) 340-3016

Authorized officer

Olsson, B

INTERNATIONAL SEARCH REPORT

International Application No

PCT/US 00/04184

C.(Continuation) DOCUMENTS CONSIDERED TO BE RELEVANT

Category	Citation of document, with indication, where appropriate, of the relevant passages	Relevant to claim No.
A	US 5 871 790 A (OLSHESKI DENNIS A ET AL) 16 February 1999 (1999-02-16) column 6, line 12 - line 17 -----	10

INTERNATIONAL SEARCH REPORT

Information on patent family members

International Application No

PCT/US 00/04184

Patent document cited in search report	Publication date	Patent family member(s)	Publication date
WO 9109791 A	11-07-1991	AU 659079 B	11-05-1995
		AU 7156791 A	24-07-1991
		CA 2067161 A,C	30-06-1991
		DE 69027447 D	18-07-1996
		DE 69027447 T	16-01-1997
		EP 0506841 A	07-10-1992

US 5220140 A	15-06-1993	NONE	

JP 02127240 A	15-05-1990	NONE	

US 5871790 A	16-02-1999	NONE	
