



US00D381279S

United States Patent [19]

[11] **Patent Number:** **Des. 381,279**

Ingebritson et al.

[45] **Date of Patent:** ****Jul. 22, 1997**

[54] **HUMIDISTAT HOUSING**

[57] **CLAIM**

[75] Inventors: **Jolayne K. Ingebritson**, St. Paul;
Ralph E. Pasquarette, Jordan, both of
Minn.

The ornamental design for a humidistat housing, as shown
and described.

[73] Assignee: **Honeywell Inc.**, Minneapolis, Minn.

DESCRIPTION

[**] Term: **14 Years**

FIG. 1 is a perspective view, as seen from the front, top and
left side of a humidistat housing in accordance with the
applicants' design;

[21] Appl. No.: **46,784**

FIG. 2 is a front elevation view of the humidistat housing;
FIG. 3 is a left side elevation view of the humidistat housing,
the right side elevation view being a mirror image thereof;
FIG. 4 is a bottom plan view of the humidistat housing; and,
FIG. 5 is top plan view of the humidistat housing.

[22] Filed: **Sep. 22, 1995**

[51] **LOC (6) Cl.** **10-04**

[52] **U.S. Cl.** **D10/52**

[58] **Field of Search** **D10/49, 50, 52;**
73/29.2, 29.05; 62/186, 21, 176.6, 176.5;
206/305; 236/44 R, 44 C, 44 A, 44 D,
44 F, 47, 91 C, 91 R, 49

The rear of the humidistat housing does not comprise any
portion of the invention, and, therefore, is not shown in the
drawings.

[56] **References Cited**

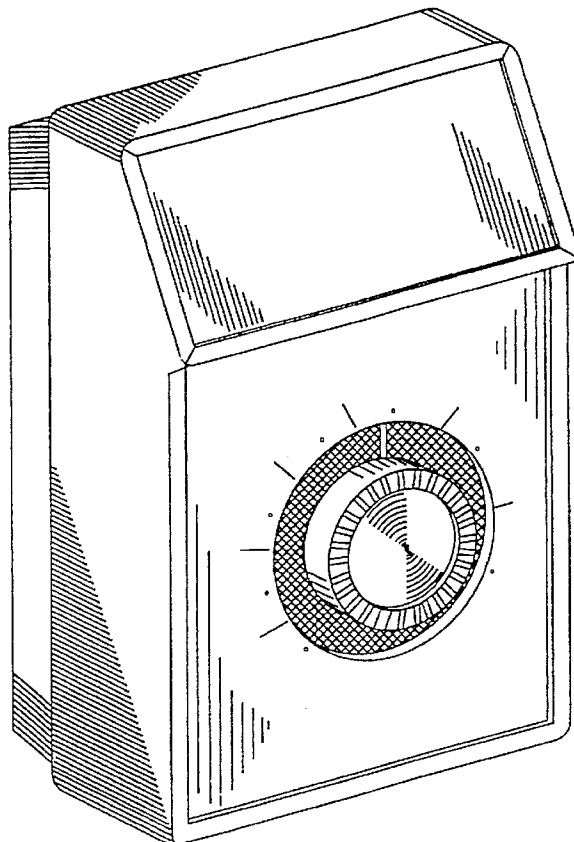
The applicants' design features a front face having a sloped
upper panel in combination with a vertical lower panel in
which a knob appears to "float" in a well or recess with a
pointer traveling behind a scale on the outer surface of the
vertical panel. This appearance may be achieved by means
of a nonreflective disk affixed to the rear of the knob and
having a reflective indicator marking thereon. The principal
side, bottom and top surfaces of the housing are joined by
small radius corners. The sloped upper panels and vertical
lower panel of the front face are framed with a thin flat
topped ridge, the ridge framing the sloped upper panel
having a slight outward slope.

U.S. PATENT DOCUMENTS

- D. 293,421 12/1987 **Bonnema et al.** .
- D. 297,419 8/1988 **Bonnema et al.** .
- D. 310,788 9/1990 **Wolfe** .
- D. 314,155 1/1991 **Toivonen** **D10/52**
- D. 329,617 9/1992 **Tinz** **D10/49 X**
- 4,085,843 4/1978 **Espander** **D10/50 X**

Primary Examiner—Antoine Duval Davis
Attorney, Agent, or Firm—Edward L. Schwarz

1 Claim, 2 Drawing Sheets



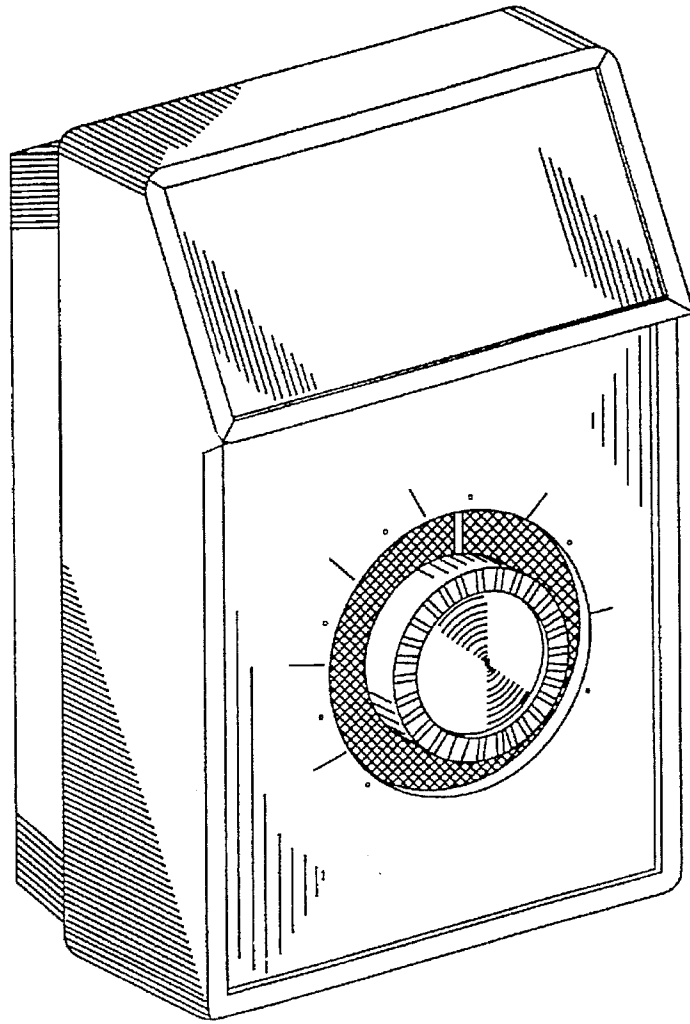


Fig. 1

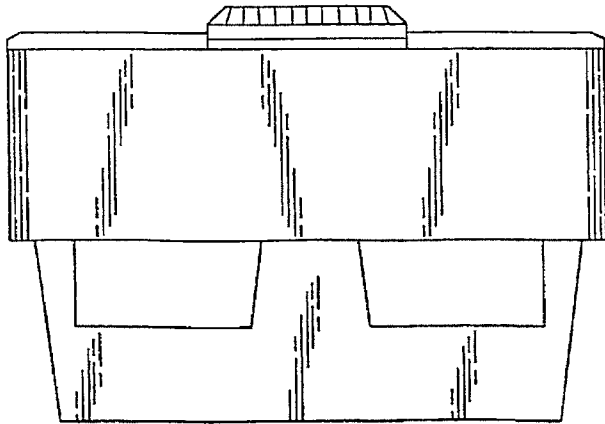


Fig. 4

Fig. 5

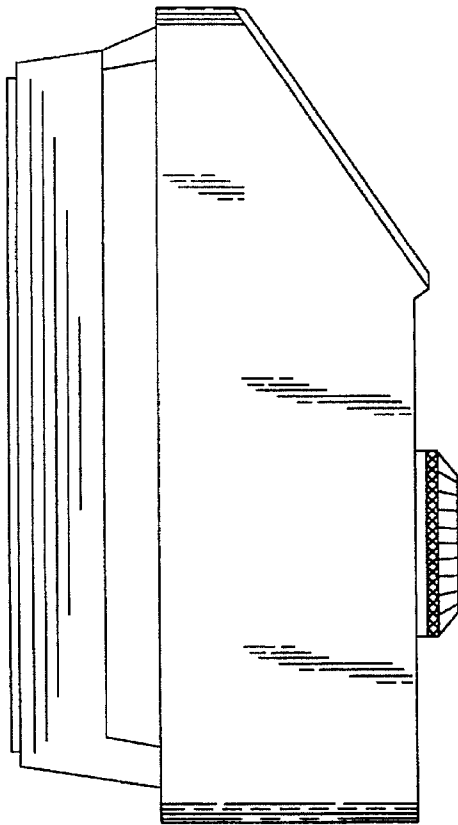
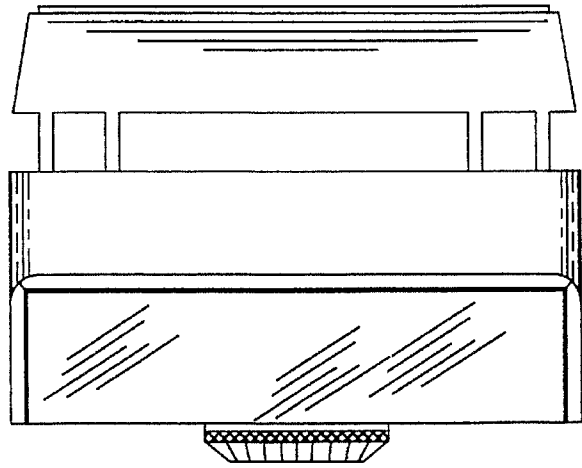


Fig. 3

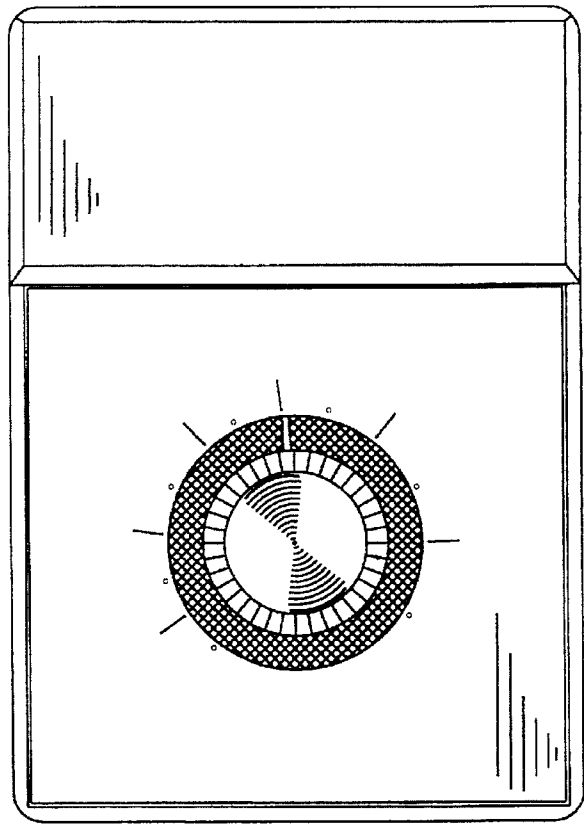


Fig. 2