



US00D744818S

(12) **United States Design Patent**  
**Matsuo et al.**

(10) **Patent No.:** **US D744,818 S**

(45) **Date of Patent:** **\*\* Dec. 8, 2015**

(54) **CONNECTOR FOR SPIRAL HANGER**

*Primary Examiner* — Eric Goodman

*Assistant Examiner* — Bao-Yen Nguyen

(71) Applicant: **HIEN ELECTRIC INDUSTRIES, LTD.**, Osaka-shi, Osaka (JP)

(74) *Attorney, Agent, or Firm* — Westerman, Hattori, Daniels & Adrian, LLP

(72) Inventors: **Kazuhisa Matsuo**, Osaka (JP); **Shinya Takeda**, Osaka (JP)

(73) Assignee: **HIEN ELECTRIC INDUSTRIES, LTD.**, Osaka (JP)

(\*\*) Term: **14 Years**

(57) **CLAIM**

The ornamental design for a connector for spiral hanger, as shown and described.

(21) Appl. No.: **29/477,555**

**DESCRIPTION**

(22) Filed: **Dec. 23, 2013**

(51) **LOC (10) Cl.** ..... **08-05**

(52) **U.S. Cl.**  
USPC ..... **D8/382**

(58) **Field of Classification Search**  
USPC ..... D8/349, 350, 353, 354, 355, 356, 359,  
D8/366, 367, 373, 374, 381, 382, 383, 384,  
D8/385, 386; D13/110, 133, 146, 147, 154  
CPC . H02J 1/00; H02J 2001/006; H02J 2001/008;  
H02G 1/00; H02G 1/04; H01R 9/0503;  
H01R 13/6464; H01R 9/0518; H01R 25/00;  
H01R 12/63; H01R 36/06  
See application file for complete search history.

FIG. 1 is an upper, front and right side perspective view of a connector for a spiral hanger showing my new design; FIG. 2 is a front elevation view thereof; FIG. 3 is a top plan view thereof; FIG. 4 is a bottom plain view of thereof; FIG. 5 is a right side elevation view thereof; FIG. 6 is a front elevation view of the connector in a position of use; FIG. 7 is a rear elevation view of the connector in a position of use; FIG. 8 is a right side perspective view of the connector in a position of use; FIG. 9 is a left side perspective view of the connector in a position of use; and FIG. 10 is a right side elevation view of the connector in a position of use; FIG. 11 is a left side elevation view of the connector in a position of use; FIG. 12 is an additional view of the connector in a position of use; FIG. 13 is an additional view of the connector in a position of use; FIG. 14 is an additional view of the connector in a position of use; and, FIG. 15 is an additional view of the connector in a position of use.  
Broken lines in the figures illustrate an environmental structure and form no part of the claimed design.

(56) **References Cited**

U.S. PATENT DOCUMENTS

D282,906 S \* 3/1986 Marshall ..... D8/382  
D324,026 S \* 2/1992 Ichida et al. .... D13/133  
D325,024 S \* 3/1992 Suzuki et al. .... D13/133  
D328,589 S \* 8/1992 Ohkura et al. .... D13/133

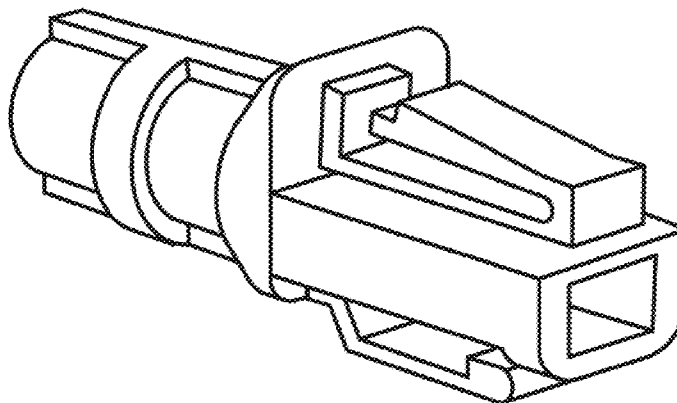
(Continued)

FOREIGN PATENT DOCUMENTS

JP D1080450 S 7/2000  
JP D1094050 S 12/2000

(Continued)

**1 Claim, 13 Drawing Sheets**



(56)

References Cited

U.S. PATENT DOCUMENTS

5,145,409 A \* 9/1992 Sato et al. .... 439/585  
 D380,262 S \* 6/1997 Van Funderburk et al. . D24/129  
 D401,218 S \* 11/1998 Brorsson et al. .... D13/133  
 D522,109 S \* 5/2006 White et al. .... D23/262  
 D527,345 S \* 8/2006 Zhang ..... D13/133  
 D528,505 S \* 9/2006 Caveney et al. .... D13/133  
 D535,620 S \* 1/2007 Mace et al. .... D13/133  
 D564,966 S \* 3/2008 Shifris ..... D13/147  
 D584,136 S \* 1/2009 Irvin ..... D8/382  
 D595,654 S \* 7/2009 Andre et al. .... D13/133  
 D600,643 S \* 9/2009 Ohshima ..... D13/146  
 D610,440 S \* 2/2010 Prichard et al. .... D8/382  
 D617,272 S \* 6/2010 The ..... D13/133  
 D639,740 S \* 6/2011 Chi ..... D13/133  
 D643,815 S \* 8/2011 Mark et al. .... D13/133  
 D647,480 S \* 10/2011 Ohmori ..... D13/133  
 D647,481 S \* 10/2011 Ohmori ..... D13/133  
 D647,849 S \* 11/2011 Yu ..... D13/133  
 D649,512 S \* 11/2011 Shimoji et al. .... D13/133  
 D696,574 S \* 12/2013 Caterinacci ..... D8/382

D699,680 S \* 2/2014 Takamoto et al. .... D13/133  
 D704,539 S \* 5/2014 Fujiwara ..... D8/382  
 D705,168 S \* 5/2014 Yamauchi et al. .... D13/133  
 D714,723 S \* 10/2014 Vogelmann ..... D13/133  
 D722,864 S \* 2/2015 Greenthal ..... D8/382  
 D724,419 S \* 3/2015 Ikeda ..... D8/382

FOREIGN PATENT DOCUMENTS

JP D1266802 S 4/2006  
 JP D1267874 S 4/2006  
 JP D1306271 S 7/2007  
 JP D1311854 S 10/2007  
 JP D1319220 S 1/2008  
 JP 3145969 U 10/2008  
 JP D1383838 S 3/2010  
 JP D1408342 S 2/2011  
 JP D1461967 S 2/2013  
 JP D1463988 S 3/2013  
 JP D1478627 S 9/2013  
 JP D1485533 S 12/2013

\* cited by examiner

FIG. 1

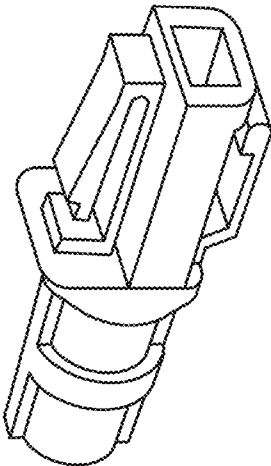


FIG. 2

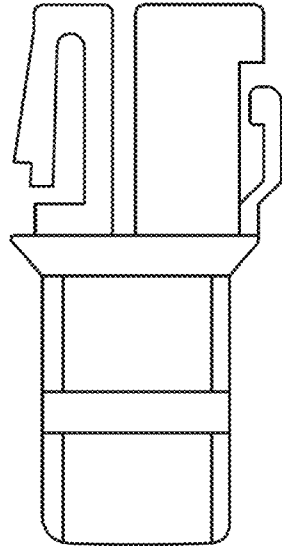


FIG. 3

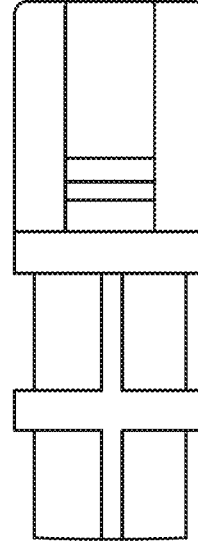


FIG. 4

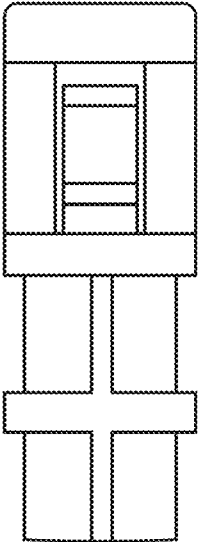


FIG. 5

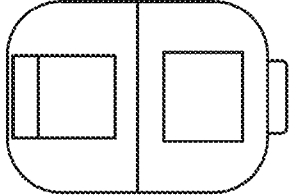


FIG. 6

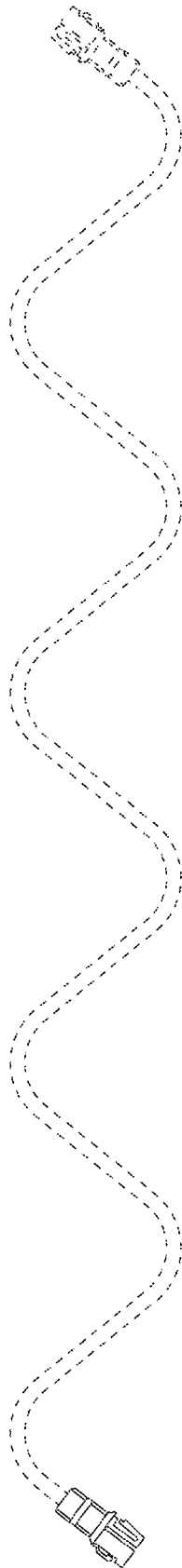


FIG. 7

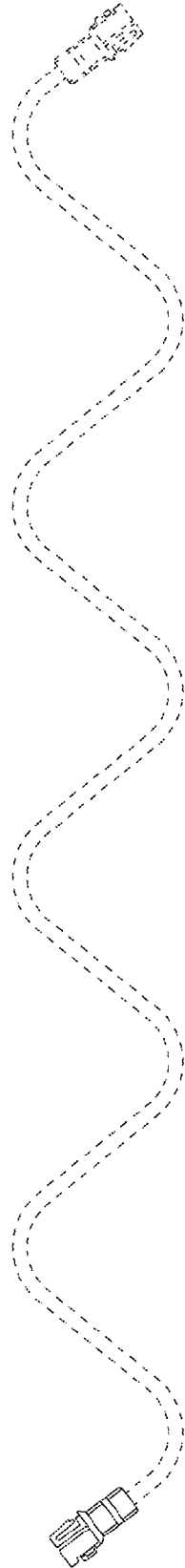


FIG. 8

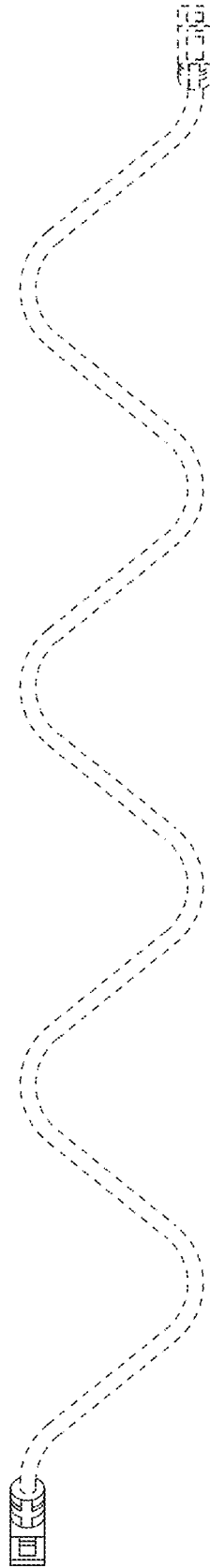




FIG. 9

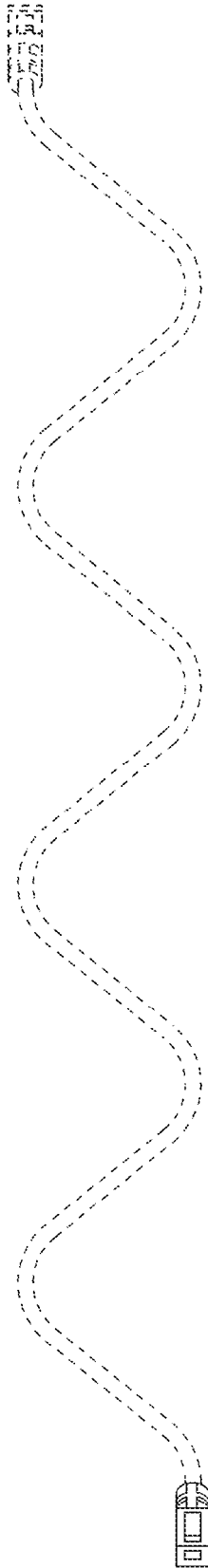


FIG. 10

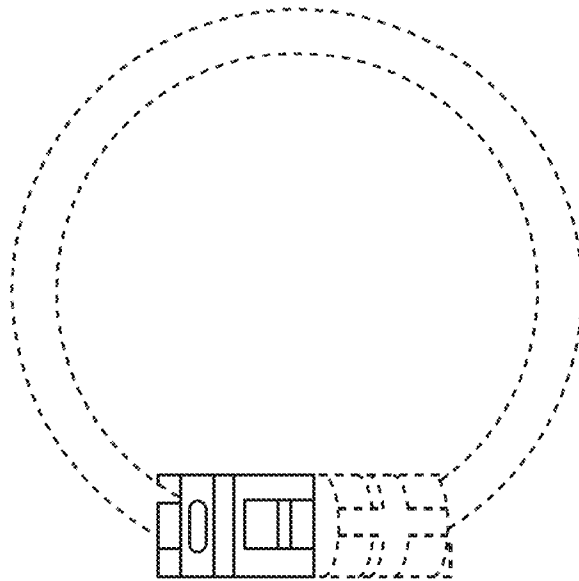


FIG. 11

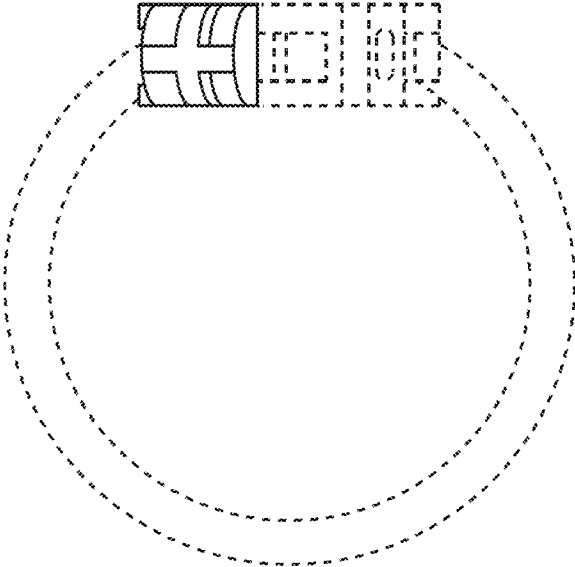


FIG. 12

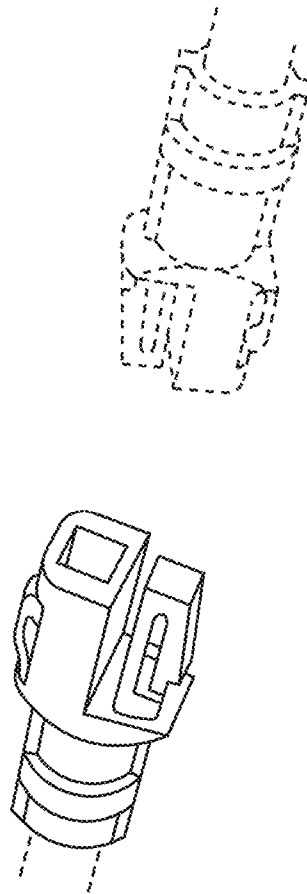


FIG. 13

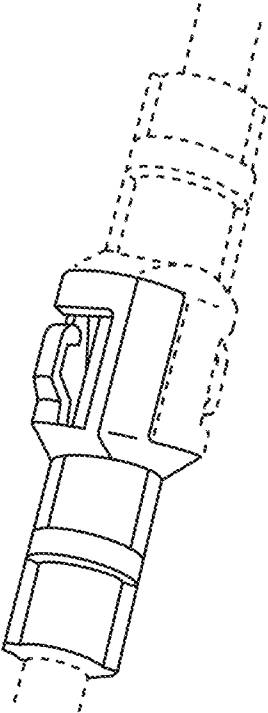


FIG. 14

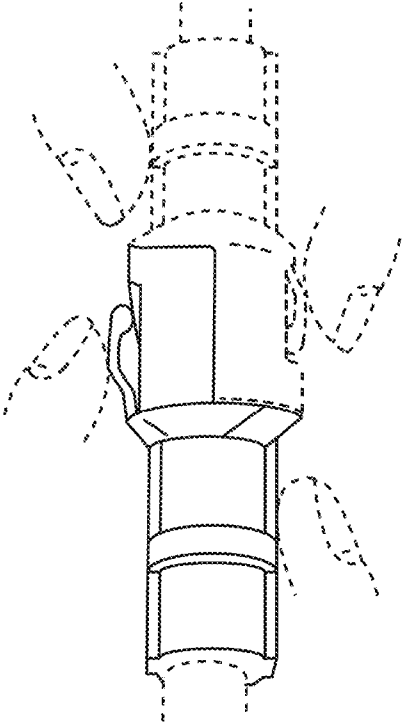


FIG. 15

