



- (51) International Patent Classification:
F24J 2/08 (2006.01) H01L 31/052 (2006.01)
- (21) International Application Number:
PCT/IB2011/055100
- (22) International Filing Date:
15 November 2011 (15.11.2011)
- (25) Filing Language:
Italian
- (26) Publication Language:
English
- (30) Priority Data:
RM2010A000597 16 November 2010 (16.11.2010) IT
- (71) Applicant (for all designated States except US):
SOLERGY INC. [US/US]; 33 Scenic Avenue, Piedmont,
California 94611 (US).

- (72) Inventors; and
- (75) Inventors/Applicants (for US only): LANZARA, Giovanni [IT/IT]; c/o Solergy Italia S.r.l., Via degli Olmetti 46, I-00060 Roma (IT). D'OVIDIO, Gino [IT/IT]; c/o Solergy Italia S.r.l., Via degli Olmetti 46, I-00060 Roma (IT). CRISI, Francesco [IT/IT]; c/o Solergy Italia S.r.l., Via degli Olmetti 46, I-00060 Roma (IT). MASCIOVECCHIO, Carlo [IT/IT]; c/o Solergy Italia S.r.l., Via degli Olmetti 46, I-00060 Roma (IT). VIOLA, Massimiliano [IT/IT]; c/o Solergy Italia S.r.l., Via degli Olmetti 46, I-00060 Roma (IT). TULLI, Carlo [IT/IT]; c/o Solergy Italia S.r.l., Via degli Olmetti 46, I-00060 Roma (IT). BERTON, Fabrizio [IT/IT]; c/o Solergy Italia S.r.l., Via degli Olmetti 46, I-00060 Roma (IT). BERDUCCI, Giuseppe [IT/IT]; c/o Solergy Italia S.r.l., Via degli Olmetti 46, I-00060 Roma (IT).

(74) Agents: CAPASSO, Olga et al.; C/o De Simone and Partners S.p.A., Via Vincenzo Bellini 20, I-00198 Roma (IT).

(81) Designated States (unless otherwise indicated, for every kind of national protection available): AE, AG, AL, AM, AO, AT, AU, AZ, BA, BB, BG, BH, BR, BW, BY, BZ, CA, CH, CL, CN, CO, CR, CU, CZ, DE, DK, DM, DO, DZ, EC, EE, EG, ES, FI, GB, GD, GE, GH, GM, GT, HN, HR, HU, ID, IL, IN, IS, JP, KE, KG, KM, KN, KP, KR, KZ, LA, LC, LK, LR, LS, LT, LU, LY, MA, MD, ME, MG, MK, MN, MW, MX, MY, MZ, NA, NG, NI, NO, NZ, OM, PE, PG, PH, PL, PT, QA, RO, RS, RU, RW, SC, SD, SE, SG, SK, SL, SM, ST, SV, SY, TH, TJ, TM, TN, TR, TT, TZ, UA, UG, US, UZ, VC, VN, ZA, ZM, ZW.

[Continued on next page]

(54) Title: ASSEMBLY FOR CONVERTING SOLAR RADIATION INTO ELECTRIC AND/OR THERMAL ENERGY

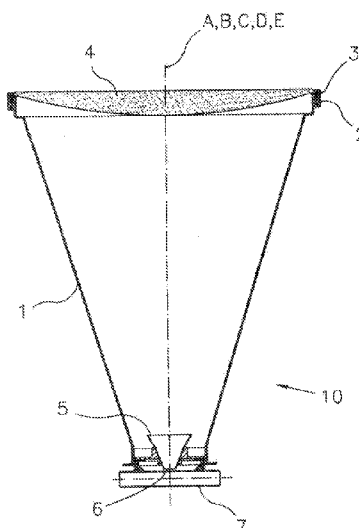


FIG. 2

(57) Abstract: A system or device (10) for concentrating the light radiation of the type to be used for converting the solar radiation into electric current and/or thermal energy, said device mainly comprising a primary optics (4) apt to be exposed to the solar radiation and to allow the passage thereof therethrough, said primary optics being positioned on a hollow spacer member (1), which is perfectly aligned and at the same time locked, by means of a joint member (2).



(84) Designated States (*unless otherwise indicated, for every kind of regional protection available*): ARIPO (BW, GH, GM, KE, LR, LS, MW, MZ, NA, RW, SD, SL, SZ, TZ, UG, ZM, ZW), Eurasian (AM, AZ, BY, KG, KZ, MD, RU, TJ, TM), European (AL, AT, BE, BG, CH, CY, CZ, DE, DK, EE, ES, FI, FR, GB, GR, HR, HU, IE, IS, IT, LT, LU, LV, MC, MK, MT, NL, NO, PL, PT, RO, RS, SE, SI, SK, SM, TR), OAPI (BF, BJ, CF, CG, CI, CM, GA, GN, GQ, GW, ML, MR, NE, SN, TD, TG).

Published:

- *with international search report (Art. 21(3))*
- *before the expiration of the time limit for amending the claims and to be republished in the event of receipt of amendments (Rule 48.2(h))*

(88) Date of publication of the international search report:

1 November 2012

INTERNATIONAL SEARCH REPORT

International application No
PCT/IB2011/055100

A. CLASSIFICATION OF SUBJECT MATTER
INV. F24J2/08 H01L31/052
ADD.
According to International Patent Classification (IPC) or to both national classification and IPC

B. FIELDS SEARCHED
Minimum documentation searched (classification system followed by classification symbols)
F24J H01L G02B F21V
Documentation searched other than minimum documentation to the extent that such documents are included in the fields searched

Electronic data base consulted during the international search (name of data base and, where practicable, search terms used)
EPO-Internal, WPI Data

C. DOCUMENTS CONSIDERED TO BE RELEVANT		
Category*	Citation of document, with indication, where appropriate, of the relevant passages	Relevant to claim No.
Y	US 2008/283116 A1 (BANIN YOAV [US] ET AL) 20 November 2008 (2008-11-20) paragraphs [0039] - [0049], [0078] - [0082]; figures -----	1-16
Y	WO 2009/066720 A1 (SHARP KK [JP]; YANG MINGJU) 28 May 2009 (2009-05-28) the whole document -----	1,8-10, 15,16
Y	US 2009/223555 A1 (AMMAR DANNY F [US]) 10 September 2009 (2009-09-10) abstract; figures -----	1,8-11, 15,16
Y	EP 0 985 871 A2 (HELLA KG HUECK & CO [DE]) HELLA KGAA HUECK & CO [DE]) 15 March 2000 (2000-03-15) paragraphs [0008] - [0023]; figures ----- -/--	1-16

Further documents are listed in the continuation of Box C.

See patent family annex.

* Special categories of cited documents :

"A" document defining the general state of the art which is not considered to be of particular relevance	"T" later document published after the international filing date or priority date and not in conflict with the application but cited to understand the principle or theory underlying the invention
"E" earlier application or patent but published on or after the international filing date	"X" document of particular relevance; the claimed invention cannot be considered novel or cannot be considered to involve an inventive step when the document is taken alone
"L" document which may throw doubts on priority claim(s) or which is cited to establish the publication date of another citation or other special reason (as specified)	"Y" document of particular relevance; the claimed invention cannot be considered to involve an inventive step when the document is combined with one or more other such documents, such combination being obvious to a person skilled in the art
"O" document referring to an oral disclosure, use, exhibition or other means	"&" document member of the same patent family
"P" document published prior to the international filing date but later than the priority date claimed	

Date of the actual completion of the international search 20 July 2012	Date of mailing of the international search report 22/08/2012
---	--

Name and mailing address of the ISA/ European Patent Office, P.B. 5818 Patentlaan 2 NL - 2280 HV Rijswijk Tel. (+31-70) 340-2040, Fax: (+31-70) 340-3016	Authorized officer Oliveira, Casimiro
--	--

INTERNATIONAL SEARCH REPORT

International application No
PCT/IB2011/055100

C(Continuation). DOCUMENTS CONSIDERED TO BE RELEVANT		
Category*	Citation of document, with indication, where appropriate, of the relevant passages	Relevant to claim No.
Y	US 3 696 238 A (SZYMANSKI RONALD) 3 October 1972 (1972-10-03) column 3, line 19 - line 47; figures -----	1-16
Y	EP 0 994 293 A2 (WET ENTERPRISES INC [US] WET ENTPR INC [US]) 19 April 2000 (2000-04-19) paragraphs [0015], [0019]; figures 1,4 -----	4,5,13
A	JP 8 249910 A (NKK PLANT KENSETSU KK; KOSUWAAKU KK) 27 September 1996 (1996-09-27) abstract; figures -----	1
A	US 6 020 554 A (KAMINAR NEIL R [US] ET AL) 1 February 2000 (2000-02-01) column 5, line 30 - line 45; figure 6 -----	1-3
A	FR 2 452 792 A1 (FIAT RICERCHE [IT]) 24 October 1980 (1980-10-24) the whole document -----	8,9

INTERNATIONAL SEARCH REPORT

Information on patent family members

International application No PCT/IB2011/055100

Patent document cited in search report	Publication date	Publication date	Patent family member(s)	Publication date
US 2008283116	A1	20-11-2008	NONE	

WO 2009066720	A1	28-05-2009	NONE	

US 2009223555	A1	10-09-2009	NONE	

EP 0985871	A2	15-03-2000	AT 336693 T	15-09-2006
			DE 19841584 A1	16-03-2000
			EP 0985871 A2	15-03-2000
			ES 2272027 T3	16-04-2007

US 3696238	A	03-10-1972	NONE	

EP 0994293	A2	19-04-2000	CA 2282608 A1	14-04-2000
			EP 0994293 A2	19-04-2000
			JP 2000164005 A	16-06-2000
			KR 20000029051 A	25-05-2000
			US 6203173 B1	20-03-2001
			US 2001014021 A1	16-08-2001

JP 8249910	A	27-09-1996	NONE	

US 6020554	A	01-02-2000	AU 3353400 A	09-10-2000
			US 6020554 A	01-02-2000
			WO 0057486 A1	28-09-2000

FR 2452792	A1	24-10-1980	AR 220269 A1	15-10-1980
			BR 8001927 A	25-11-1980
			DE 3012214 A1	30-10-1980
			FR 2452792 A1	24-10-1980
			GB 2046016 A	05-11-1980
			US 4280853 A	28-07-1981
