



US0D1049975S

(12) **United States Design Patent**  
**Hagler et al.**

(10) **Patent No.:** **US D1,049,975 S**

(45) **Date of Patent:** **\*\* Nov. 5, 2024**

(54) **MODEL VEHICLE HOOD VENT**  
(71) Applicant: **TRAXXAS, L.P.**, McKinney, TX (US)

D445,805 S 7/2001 Bruns  
D479,793 S 9/2003 Jones  
D484,037 S 12/2003 Fleetwood

(Continued)

(72) Inventors: **Skylar Hagler**, Anna, TX (US); **Jory Sprowl**, Howe, TX (US); **Otto Karl Allmendinger**, Rowlett, TX (US); **Kent Poteet**, Lucas, TX (US); **Adam Cole Ewing**, McKinney, TX (US); **Casey Christen Jens Christensen**, McKinney, TX (US)

**OTHER PUBLICATIONS**

Traxxas Sledge Body Roof Skid Pads (Black), as shown in www.hobbytown.com, Jul. 5, 2022, Part# TRA9510. (Year: 2022).

(Continued)

*Primary Examiner* — Katrina A Betton

(73) Assignee: **TRAXXAS, L.P.**, McKinney, TX (US)

(74) *Attorney, Agent, or Firm* — Daryl R. Wright; Greg Carr

(\*\*) Term: **15 Years**

(57) **CLAIM**

(21) Appl. No.: **29/886,780**

The ornamental design for a model vehicle hood vent as shown and described.

(22) Filed: **Mar. 13, 2023**

**DESCRIPTION**

(51) **LOC (14) Cl.** ..... **12-16**

(52) **U.S. Cl.**  
USPC ..... **D12/190**

(58) **Field of Classification Search**  
USPC .... D12/190, 181, 192, 400, 90, 91, 92, 196,  
D12/197, 198, 199, 200, 171, 172, 163,  
D12/110, 114  
CPC ..... B60S 9/205; B60R 13/005; B60R 13/02  
See application file for complete search history.

FIG. 1 is an upper, left, front perspective view of a model vehicle hood vent showing our new design;  
FIG. 2 is an upper, right, rear perspective view thereof;  
FIG. 3 is a lower, right, front perspective view thereof;  
FIG. 4 is a lower, left, rear perspective view thereof;  
FIG. 5 is an upper plan view thereof;  
FIG. 6 is a lower plan view thereof;  
FIG. 7 is a right side elevation view thereof;  
FIG. 8 is a left side elevation view thereof;  
FIG. 9 is a front elevation view thereof; and,  
FIG. 10 is a rear elevation view of the model vehicle hood vent.

In the drawings, the broken lines illustrate portions of the model vehicle hood vent that form no part of the claimed design.

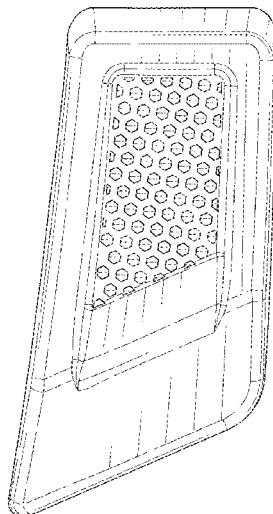
In the drawings, only the first embodiment of the model vehicle hood vent is shown. The second embodiment of the claimed design is a right side model vehicle hood vent which is a mirror image of the left side model vehicle hood vent disclosed in the first embodiment.

(56) **References Cited**

**U.S. PATENT DOCUMENTS**

|             |         |                 |
|-------------|---------|-----------------|
| D264,792 S  | 6/1982  | Conti           |
| 4,371,293 A | 2/1983  | Wilcox et al.   |
| D281,187 S  | 10/1985 | Wiese           |
| D284,165 S  | 6/1986  | Brilando et al. |
| D364,084 S  | 11/1995 | Yaich           |
| D373,370 S  | 9/1996  | Anthony         |
| D390,648 S  | 2/1998  | Woodall, III    |
| D399,730 S  | 10/1998 | Pitre           |
| D404,128 S  | 1/1999  | Huebner         |
| D429,254 S  | 8/2000  | Bisschop        |
| D439,654 S  | 3/2001  | Hite et al.     |

**1 Claim, 7 Drawing Sheets**



(56)

References Cited

U.S. PATENT DOCUMENTS

D495,116 S 8/2004 Trocme  
 D500,536 S 1/2005 Broberg  
 D515,910 S 2/2006 Gates et al.  
 D522,307 S 6/2006 Mariani et al.  
 D532,291 S 11/2006 Geers  
 D537,201 S 2/2007 McLeish et al.  
 D552,633 S 10/2007 Volkan  
 D562,187 S 2/2008 Tiede  
 D571,640 S 6/2008 Misch  
 D592,377 S 5/2009 Lee  
 D628,047 S 11/2010 Craig  
 D641,527 S 7/2011 Regnier et al.  
 D647,789 S 11/2011 McGowan  
 D650,121 S 12/2011 Volkan  
 D654,937 S 2/2012 Fader et al.  
 D674,350 S 1/2013 Hodge et al.  
 8,408,419 B2 4/2013 Rippl et al.  
 D682,124 S 5/2013 Small  
 D682,225 S 5/2013 Bergmann et al.  
 D691,034 S 10/2013 Field et al.  
 D708,043 S 7/2014 Sonnendorfer et al.  
 D711,622 S 8/2014 Kaufman  
 D711,623 S 8/2014 Kaufman  
 D713,237 S 9/2014 Towner  
 D713,240 S 9/2014 Chance et al.  
 D741,338 S 10/2015 Hoshikugi  
 D747,277 S 1/2016 Katsnelson  
 D749,708 S 2/2016 Smith  
 D760,918 S 7/2016 Bilge  
 D760,922 S 7/2016 Bilge  
 D778,702 S 2/2017 Mouthaan  
 D805,223 S 12/2017 DeBellis  
 D812,109 S 3/2018 Cross et al.  
 D817,140 S 5/2018 Mouthaan  
 D826,340 S 8/2018 Ewing et al.  
 D828,460 S 9/2018 Wood  
 D835,503 S 12/2018 Votel et al.  
 D835,504 S 12/2018 Votel et al.  
 D840,779 S 2/2019 Votel et al.  
 D845,100 S 4/2019 Gonzalez Garcia  
 D848,543 S 5/2019 Beedle  
 D857,491 S 8/2019 Bell et al.  
 D867,475 S 11/2019 Ewing et al.  
 D868,171 S 11/2019 Wood  
 D874,684 S 2/2020 Darrow et al.  
 D880,625 S 4/2020 Romanoff et al.  
 D899,917 S 10/2020 Sprowl et al.  
 D899,918 S 10/2020 Sprowl et al.  
 D900,250 S 10/2020 Ewing et al.  
 D901,288 S 11/2020 Sprowl et al.  
 D901,289 S 11/2020 Sprowl et al.  
 D902,706 S 11/2020 Sprowl et al.  
 D904,244 S 12/2020 Wood et al.  
 D904,532 S 12/2020 Ewing et al.  
 D945,597 S 3/2022 Morris et al.  
 D945,736 S 3/2022 Weatherby et al.  
 D951,149 S 5/2022 Ewing  
 D959,569 S 8/2022 Norman et al.  
 D974,983 S \* 1/2023 Forschner ..... D12/190

D980,144 S \* 3/2023 Battams ..... D12/190  
 D984,937 S \* 5/2023 Burki ..... D12/190  
 D993,118 S \* 7/2023 Acton ..... D12/190  
 D993,866 S \* 8/2023 Battams ..... D12/190  
 D999,694 S \* 9/2023 Burki ..... D12/190  
 D1,009,737 S \* 1/2024 Siddall ..... D12/190  
 D1,011,242 S \* 1/2024 Lin ..... D12/163  
 D1,011,243 S \* 1/2024 Lin ..... D12/163  
 D1,012,797 S \* 1/2024 Eburah ..... D12/181  
 D1,037,098 S \* 7/2024 Frascella ..... D12/190  
 D1,037,099 S \* 7/2024 Eburah ..... D12/190  
 D1,038,854 S \* 8/2024 Xiao ..... D12/190  
 2011/0129318 A1 6/2011 Davies  
 2012/0199530 A1 8/2012 Kim  
 2013/0046389 A1 2/2013 Fierlbeck et al.  
 2017/0321434 A1 11/2017 Shadwell et al.  
 2023/0219010 A1 7/2023 Christensen et al.

OTHER PUBLICATIONS

RPM Body Savers for Traxxas Rustler 4x4, Tin-Eye Date Aug. 15, 2019 [Online], [Site Visited Nov. 3, 2020] Available From Internet, URL: <<https://www.modelsport.co.uk/rpm-body-savers-for-traxxas-rustler-4x4/rc-car-products/442109>> (Year: 2019).  
 Product Spotlight: Body Reinforcements, Earliest Available Date Nov. 3, 2020 [Online], [Site Visited Nov. 3, 2020] Available From Internet, URL: <<https://traxxas.com/news/body-reinforcements>> (Year: 2020).  
 Grote 93402 Black Grommet for Small Rectangular Light (PVC), Jul. 7, 2004, Amazon.com, [Site Visited Jun. 16, 2021], URL: <https://www.amazon.com/Grote-93402-Black-Grommet-Rectangular/dp/B000FBUL62> (Year: 2004).  
 Single Gang Bundled Cable Wall Plate, White, Nov. 7, 2016, Amazon.com, [Site Visited Jun. 16, 2021], URL: <https://www.amazon.com/Skywalker-Signature-Single-Bundled-Cable/dp/B01N3KSI27> (Year: 2016).  
 ZdyCGTime Bulk Nose Faceplate Wall Plate for Cabling 1 Gang Cable Plate, Sep. 27, 2018, Amazon.com, [Site Visited Jun. 16, 2021], URL: <https://www.amazon.com/dp/B07HRC2422/> (Year: 2018).  
 Dorman HELP! 42062 PCV Valve Grommet, Jul. 7, 2004, Amazon.com, [Site Visited Jun. 16, 2021], URL: <https://www.amazon.com/Dorman-HELP-42062-Valve-Grommet/dp/B000COB5Y4> (Year: 2004).  
 Longwin 60mm Trapezoid Dimple Blocks, Jan. 22, 2018, amazon.com, Jun. 29, 2022, URL: <https://www.amazon.com/LONGWIN-Trapezoid-Dimple-Display-150-200mm/dp/B01ESZ10WK/> (Year: 2018).  
 Black Rubber Feet 16PCS Self Adhesive Rubber Feet Bumper, Apr. 23, 2020, amazon.com, Jun. 29, 2022, URL: <https://www.amazon.ca/Adhesive-Electronics-Speakers-Computers-Keyboards/dp/B085DMB1XV/> (Year: 2020).  
 Blocks, Trapezoid Set of 2, Jul. 1, 2015, amazon.jp, Jun. 29, 2022, URL: <https://www.amazon.co.jp/-/en/Blocks-Trapezoid-Set-of-2/dp/B010P8LSU2> (Year: 2015).  
 Yoga Foam Wedge Blocks, Apr. 10, 2018, amazon.com, Jun. 30, 2022, URL: <https://www.amazon.com/dp/B07C3GMFN5/> (Year: 2018).

\* cited by examiner

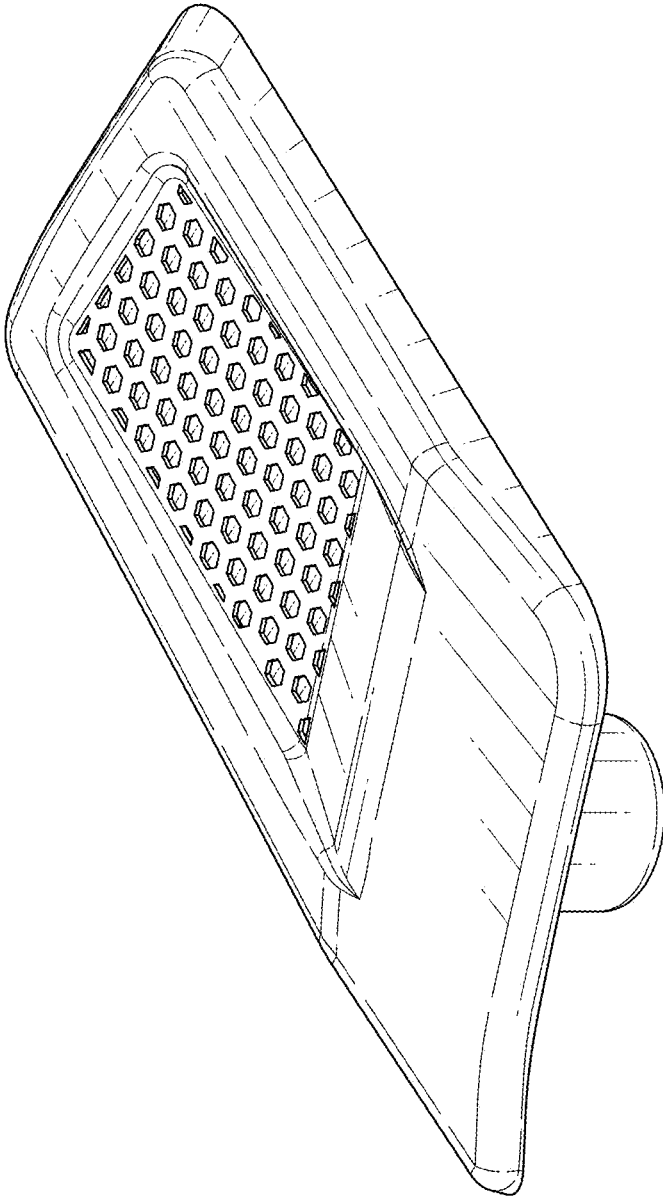


FIG. 1

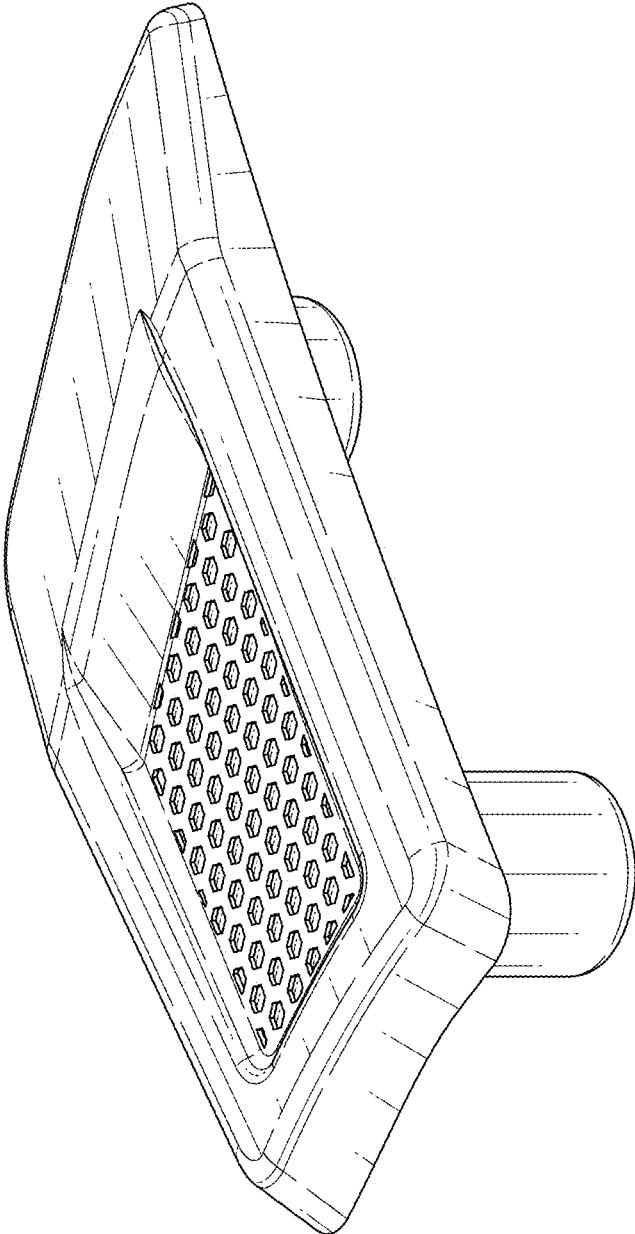


FIG. 2

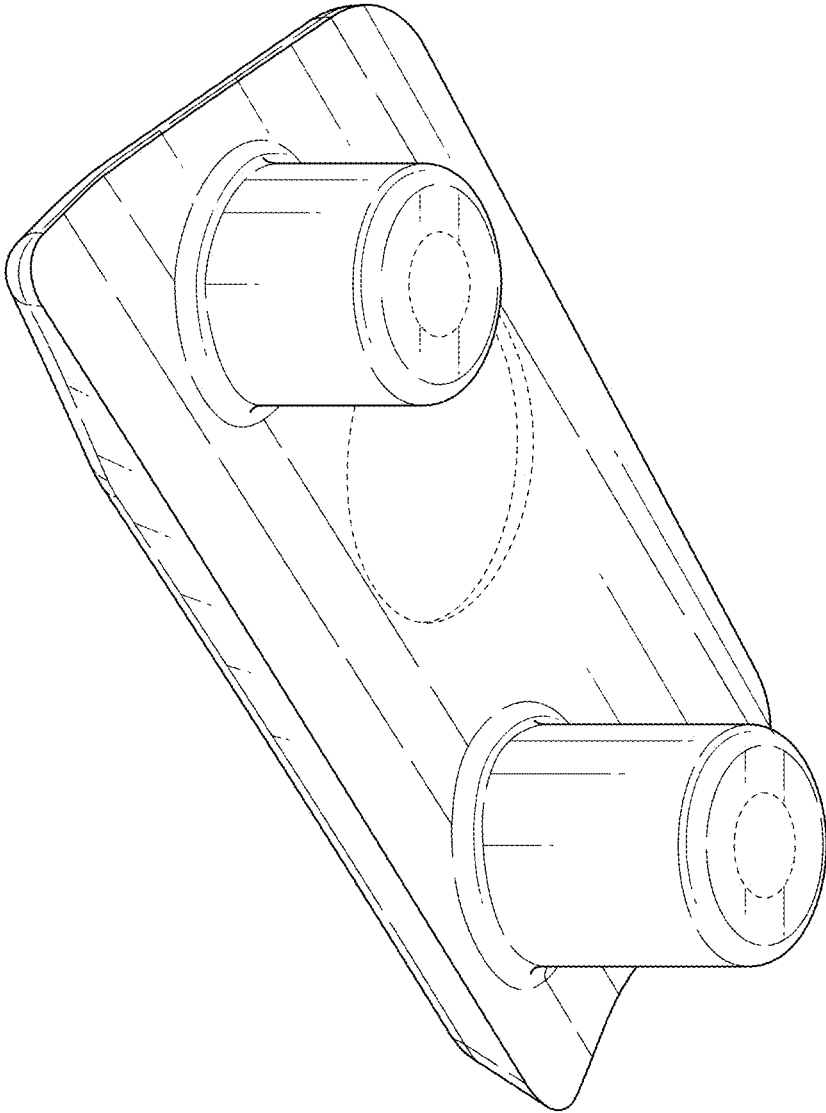


FIG. 3

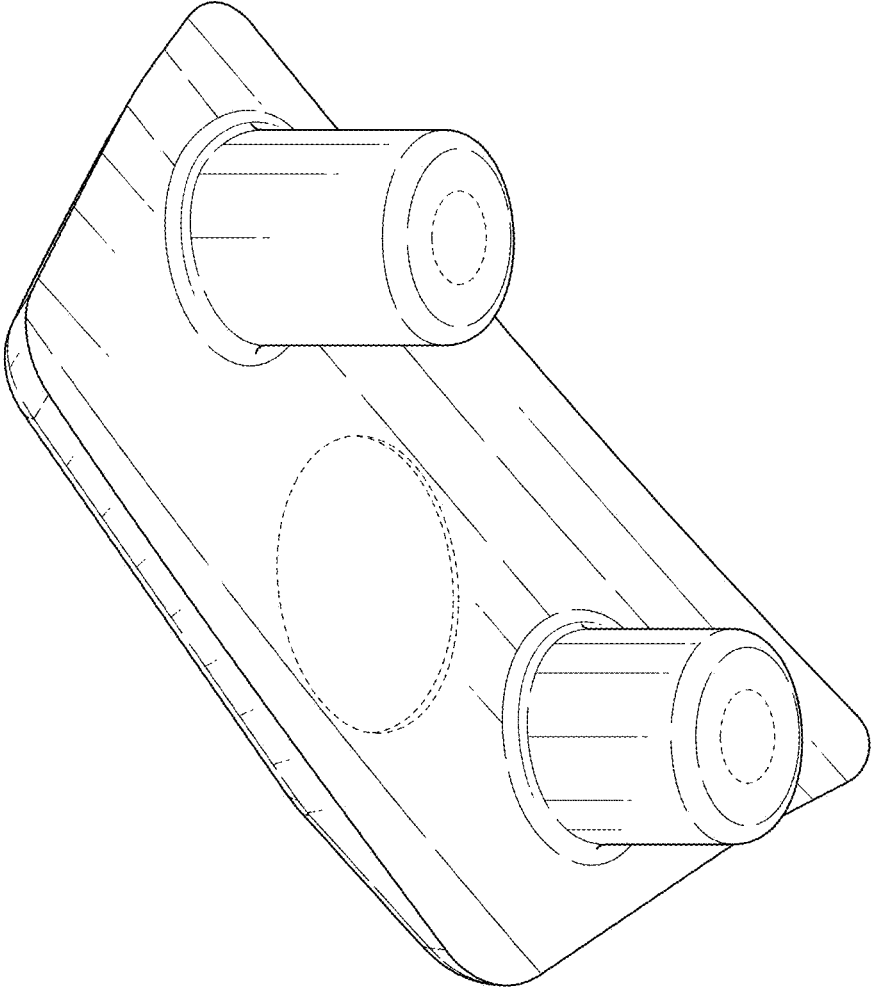


FIG. 4

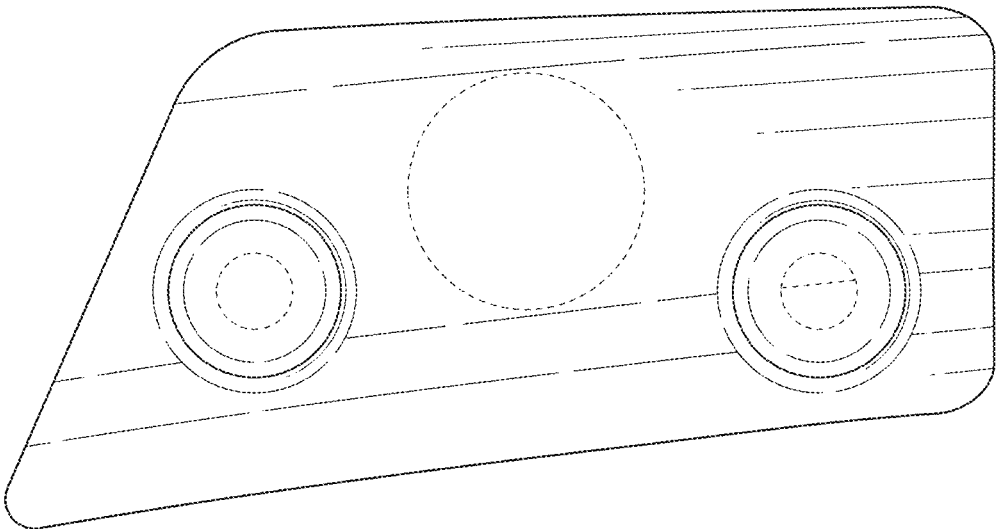


FIG. 6

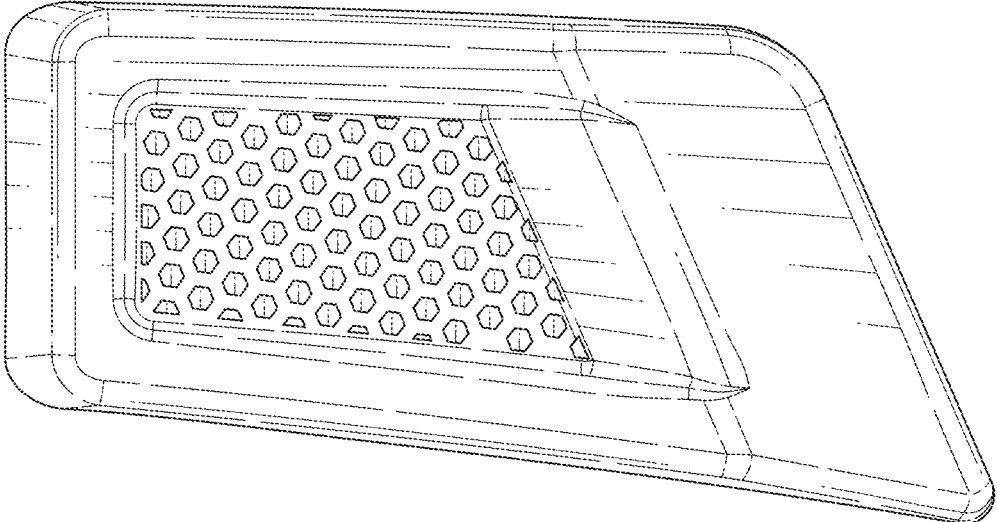


FIG. 5

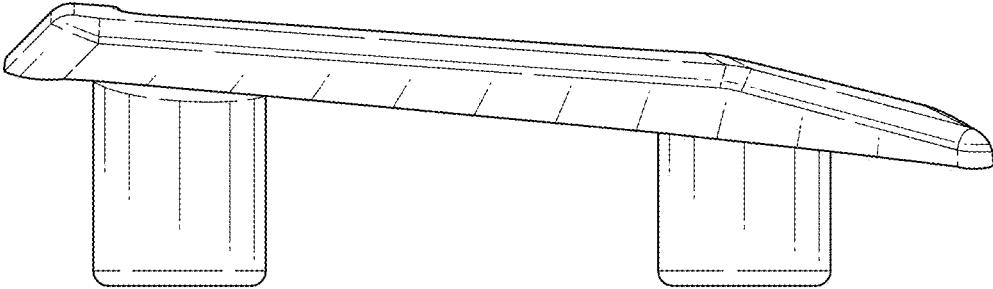


FIG. 7

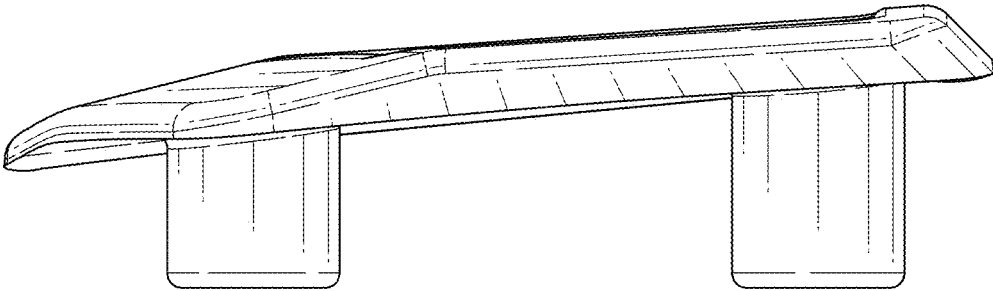


FIG. 8



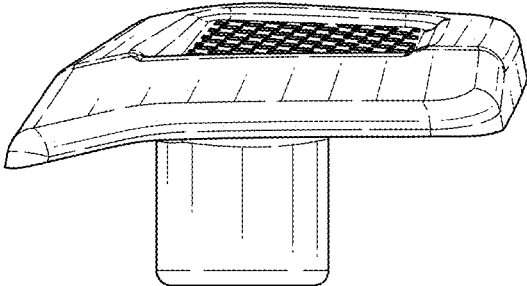


FIG. 9

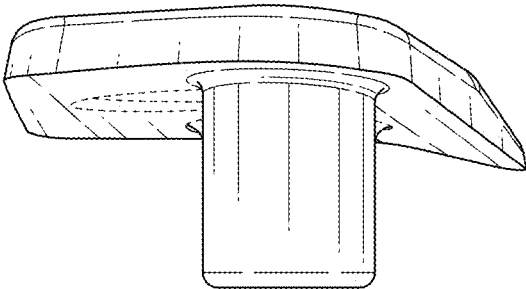


FIG. 10