



US00D872293S

(12) **United States Design Patent**
Chen

(10) **Patent No.:** **US D872,293 S**

(45) **Date of Patent:** **** Jan. 7, 2020**

- (54) **LASER HAIR GROWTH CAP**
- (71) Applicant: **Chunmian Chen**, New Taipei (TW)
- (72) Inventor: **Chunmian Chen**, New Taipei (TW)
- (**) Term: **15 Years**
- (21) Appl. No.: **29/633,080**

D640,793 S *	6/2011	Britt	D24/209
D704,896 S *	5/2014	Ryu	D29/103
D777,339 S *	1/2017	Chen	D24/209
D853,038 S *	7/2019	Kirshon	D29/102
2011/0015707 A1*	1/2011	Tucker	A61N 5/0616 607/90
2019/0224495 A1*	7/2019	Pina	A61N 5/0617

* cited by examiner

Primary Examiner — Anhdao Doan

- (22) Filed: **Jan. 12, 2018**
- (51) **LOC (12) Cl.** **28-03**
- (52) **U.S. Cl.** **D24/209**
- (58) **Field of Classification Search**
- USPC D24/107, 186, 158, 231, 200, 209, 210;
D26/37-39; D29/102, 103
- CPC .. A61N 5/0616; A61N 5/0617; A61N 5/0618;
A61N 5/062; A61N 5/0627; A61N
5/0624; A61N 2005/0643; A61N
2005/0644; A61N 2005/0645; A61N
2005/0647; A61N 2005/0651; A61N
2005/0652; A61N 2005/0654; A61N
2005/0662; A61B 2018/00452; A61B
2018/1807

See application file for complete search history.

(56) **References Cited**

U.S. PATENT DOCUMENTS

- 5,228,431 A * 7/1993 Giarretto A61H 9/005
601/11
- D382,671 S * 8/1997 Shewchenko D29/102

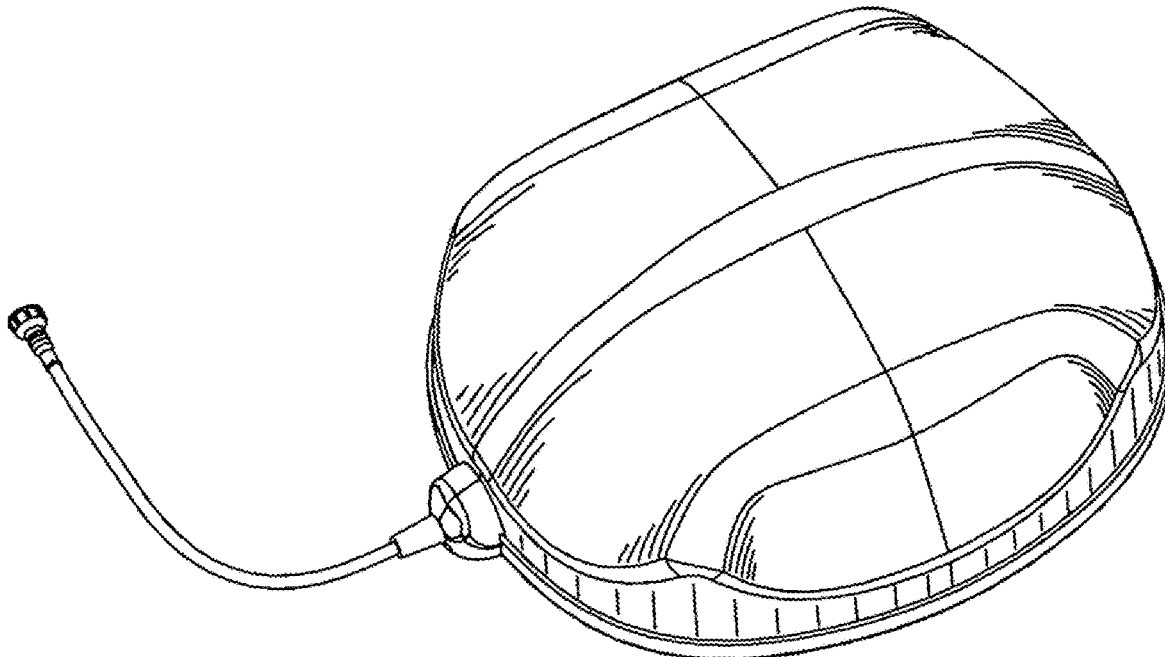
(57) **CLAIM**

The ornamental design for a laser hair growth cap, as shown and described.

DESCRIPTION

FIG. 1 is a front elevational view of a Laser hair growth cap showing my new design;
 FIG. 2 is a rear elevational view thereof;
 FIG. 3 is a left side view thereof;
 FIG. 4 is a right side view thereof;
 FIG. 5 is a top plan view thereof;
 FIG. 6 is a bottom plan view thereof;
 FIG. 7 is a perspective view thereof;
 FIG. 8 is an enlarged view of portion 8 shown in FIG. 7; and,
 FIG. 9 is a perspective view showing a condition in use with a clipper for fixing the cap on the head.
 The broken lines depicting a clip in FIG. 9 represent an environmental structure and form no part of the claimed design.

1 Claim, 8 Drawing Sheets



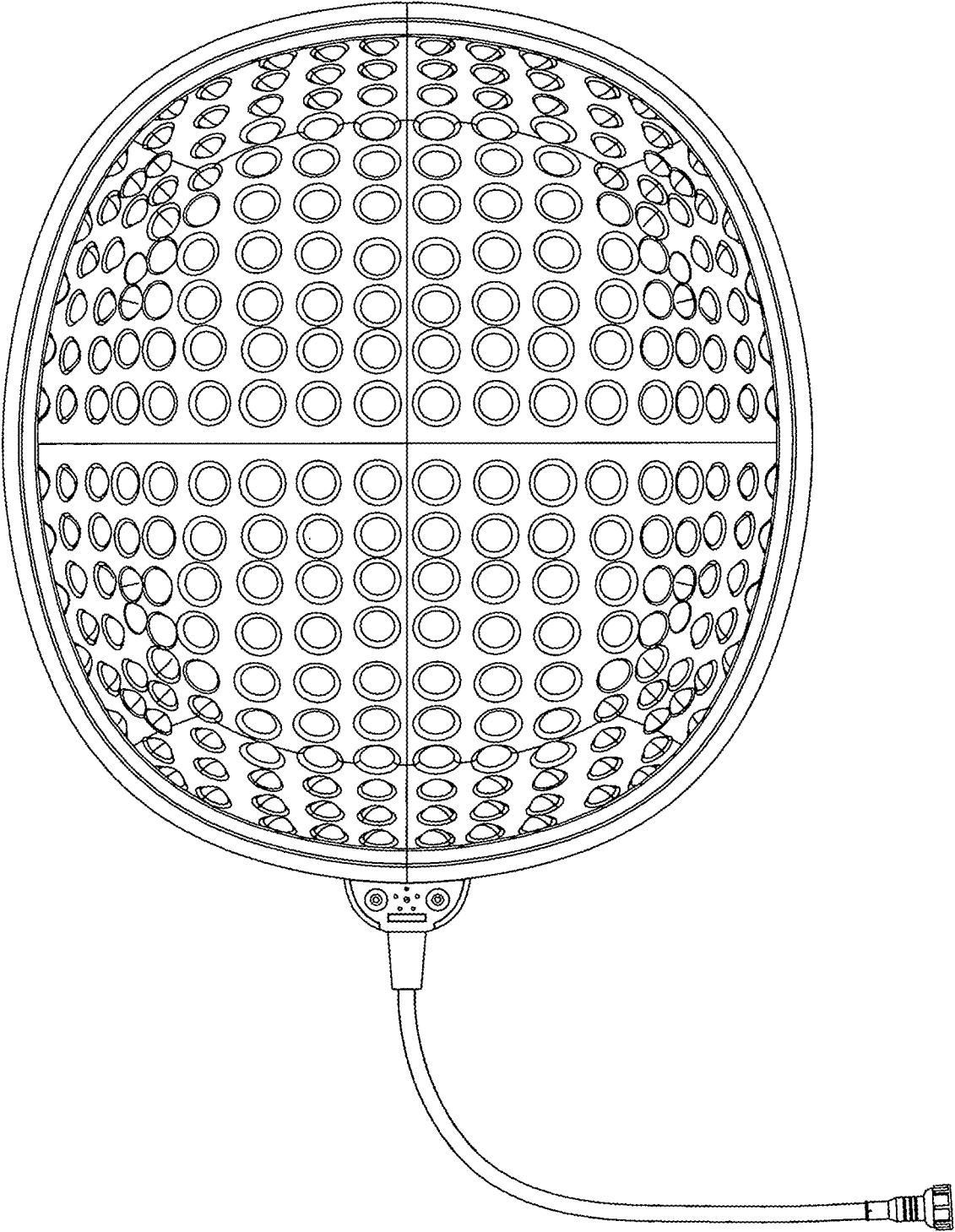


FIG. 1

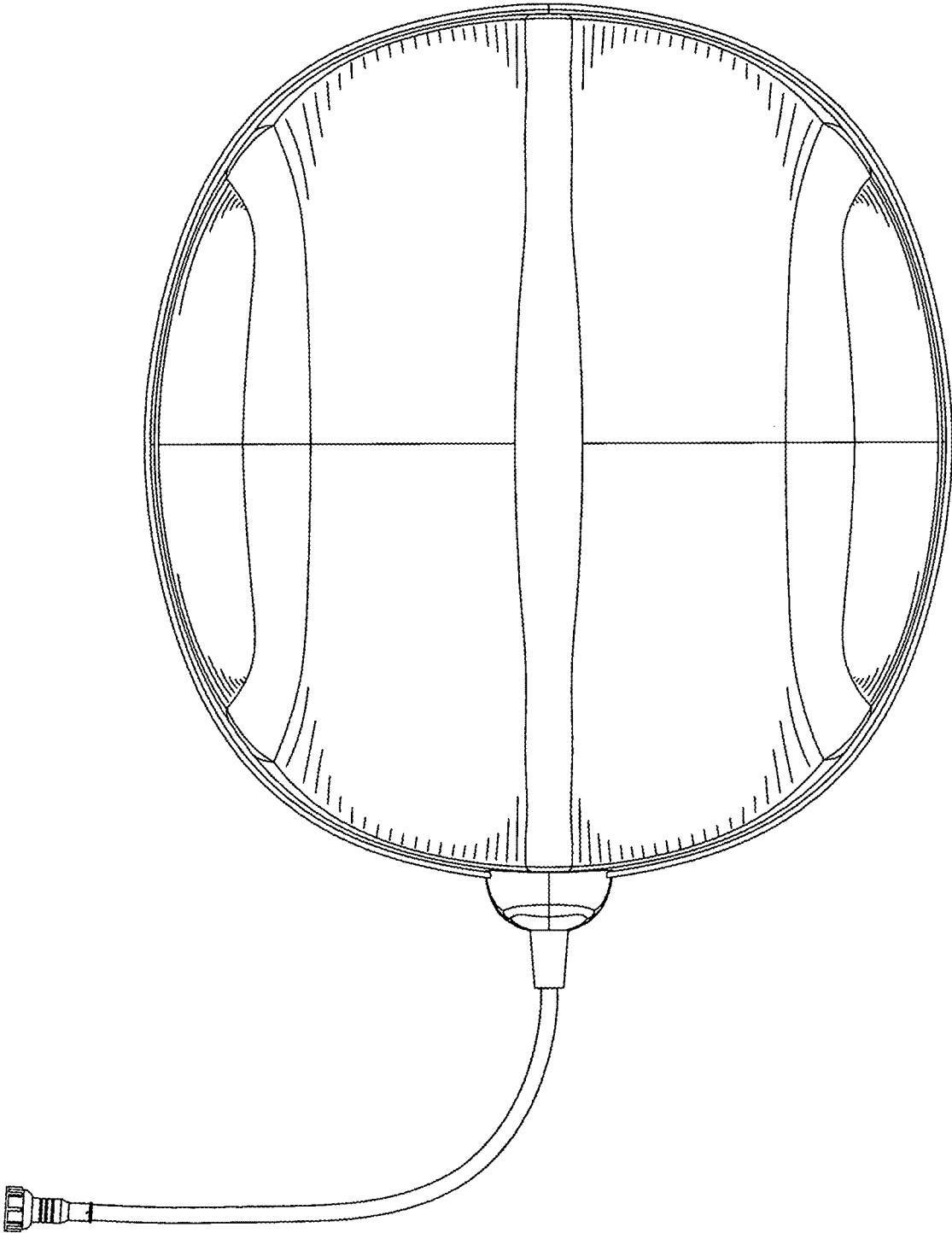


FIG. 2

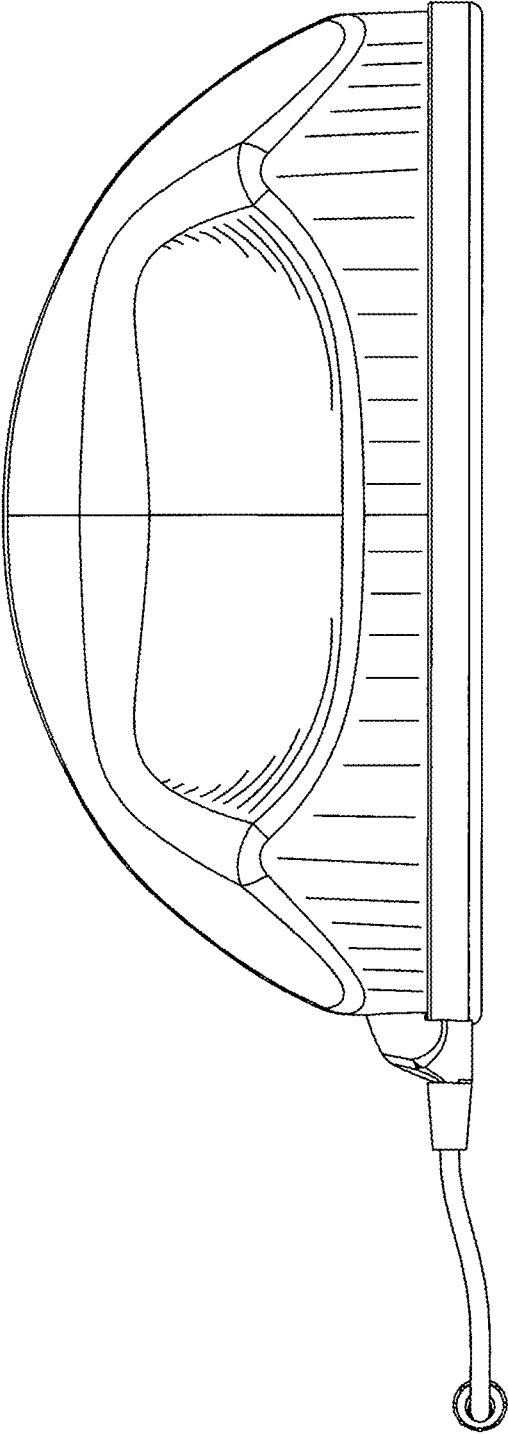


FIG. 3

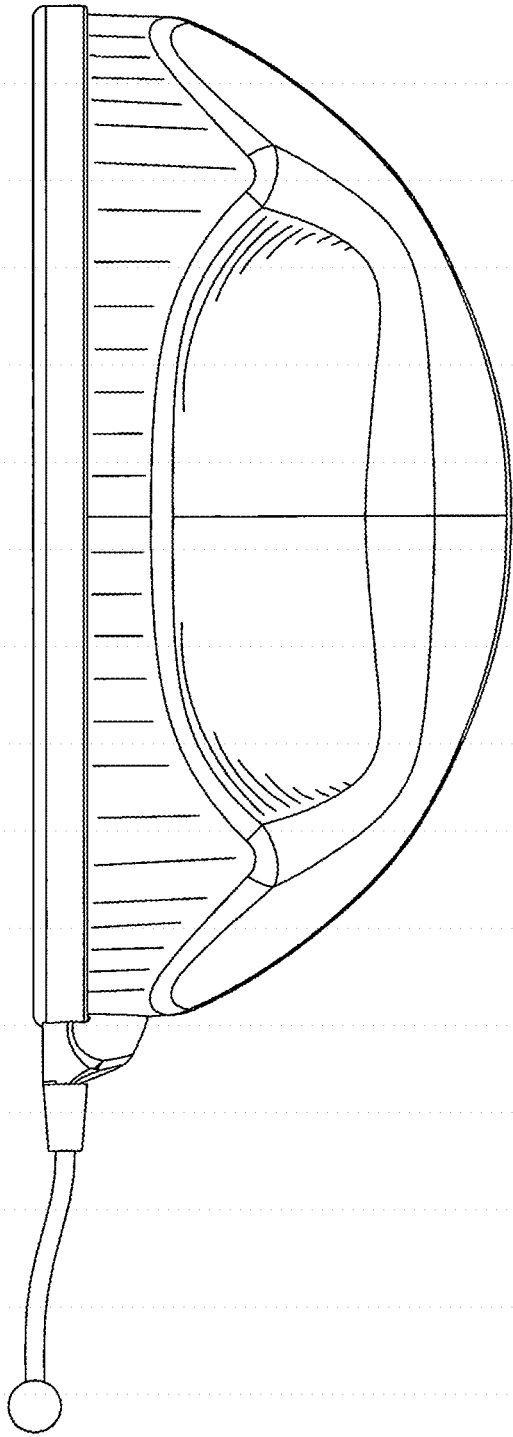


FIG. 4

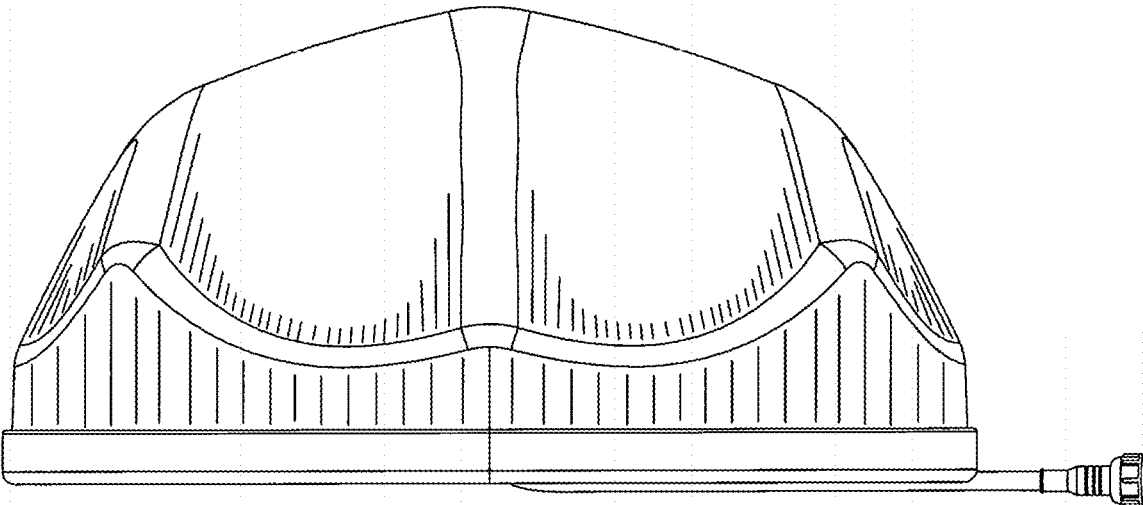


FIG. 5

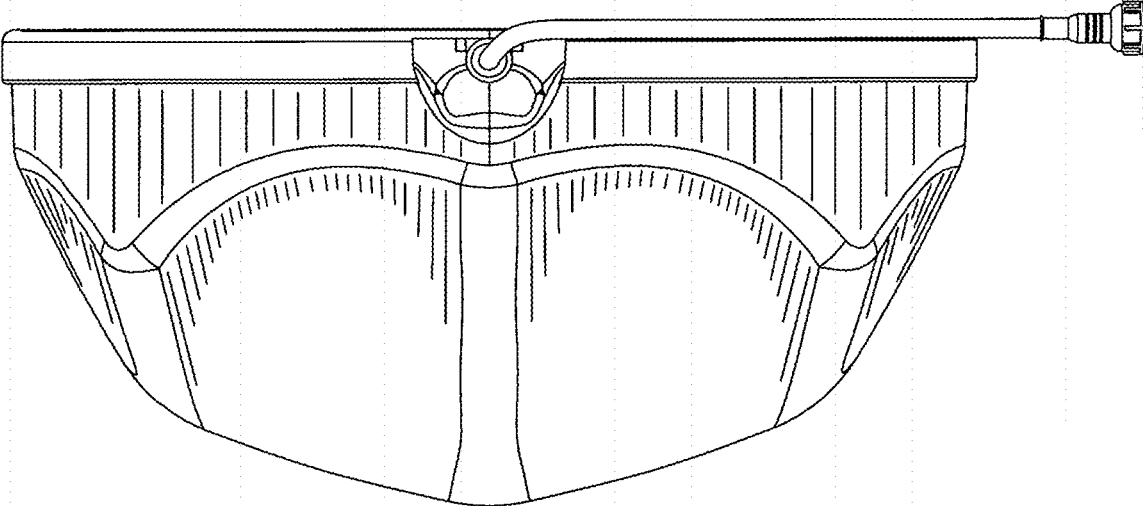


FIG. 6

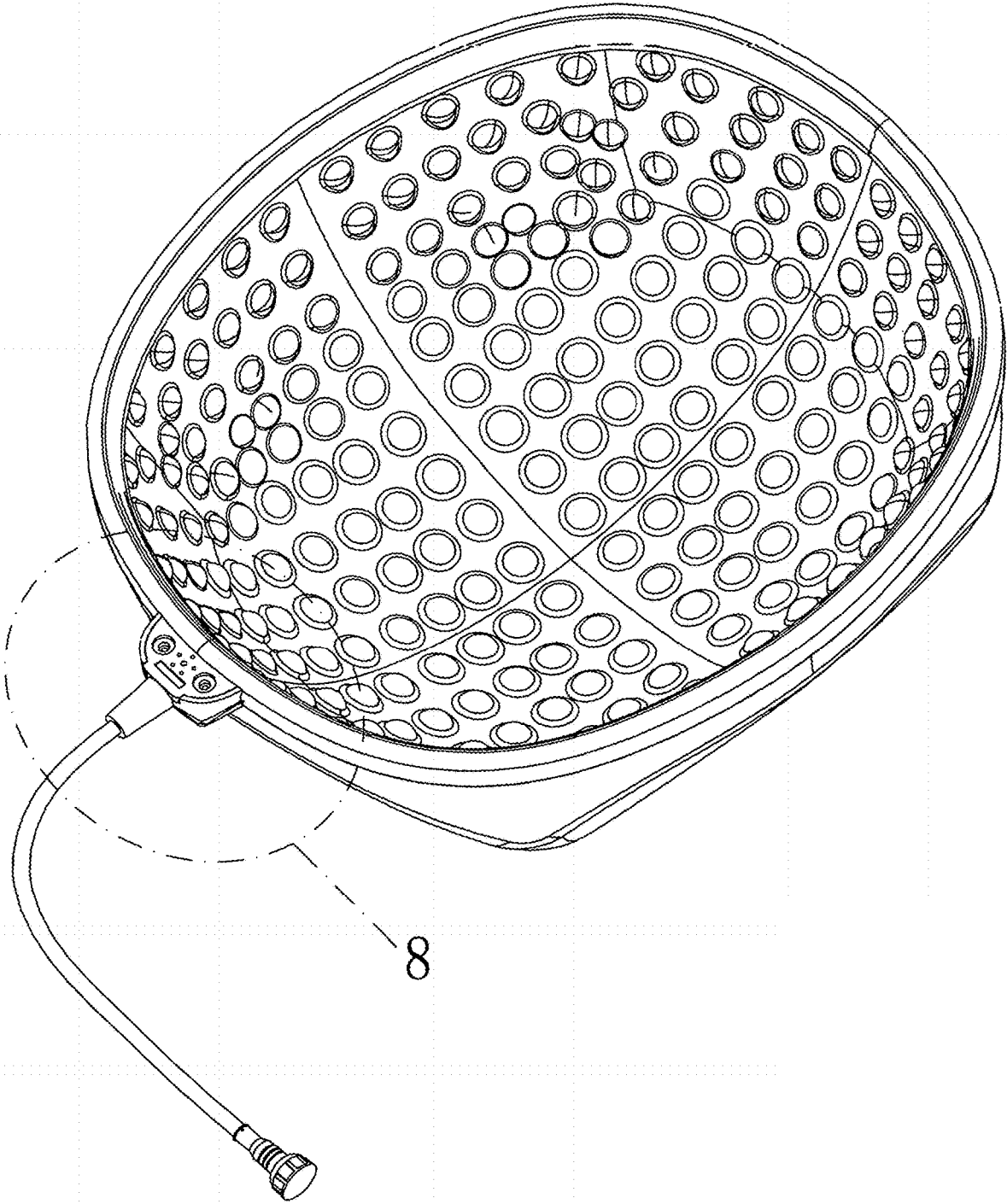


FIG. 7

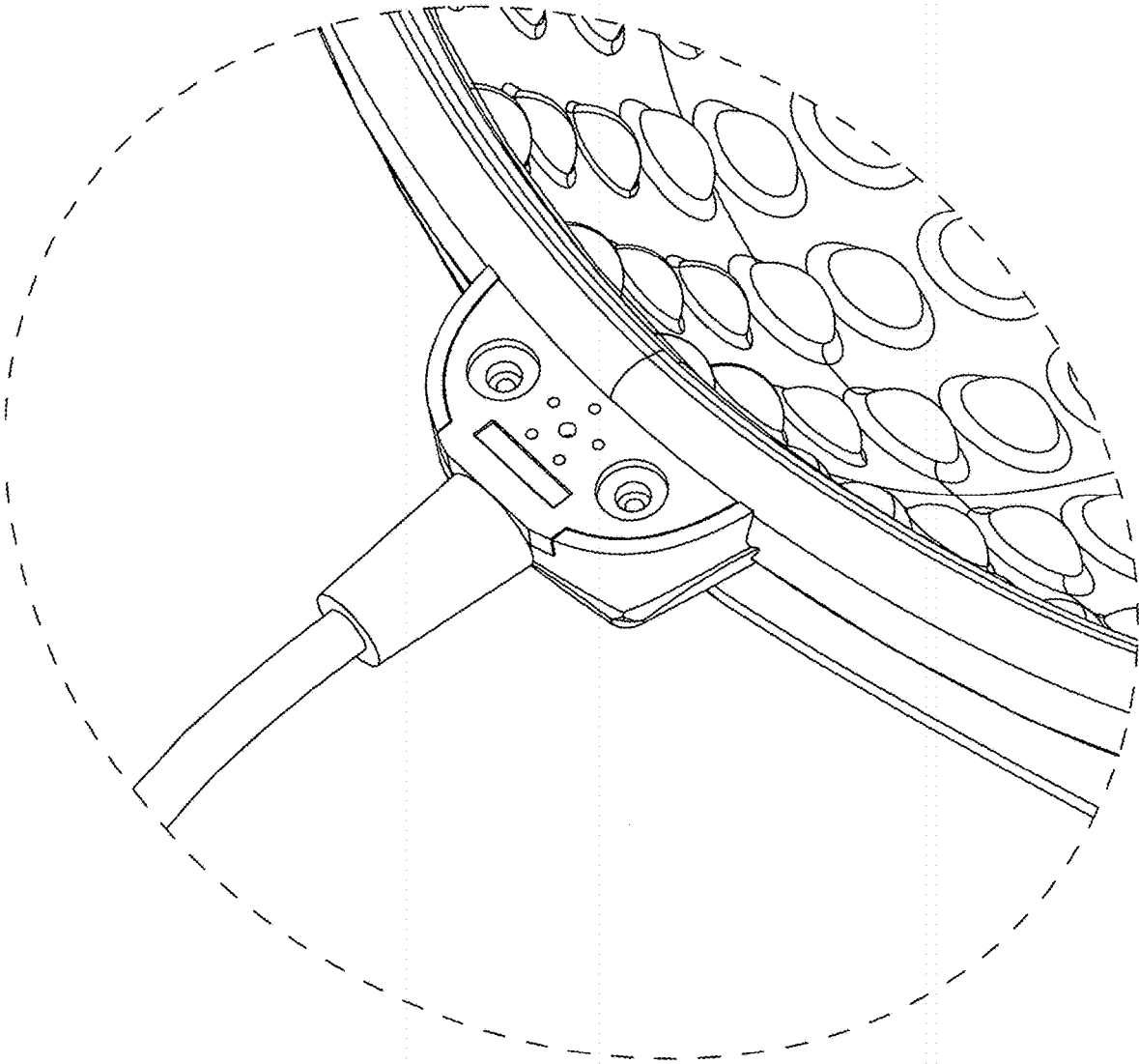


FIG. 8

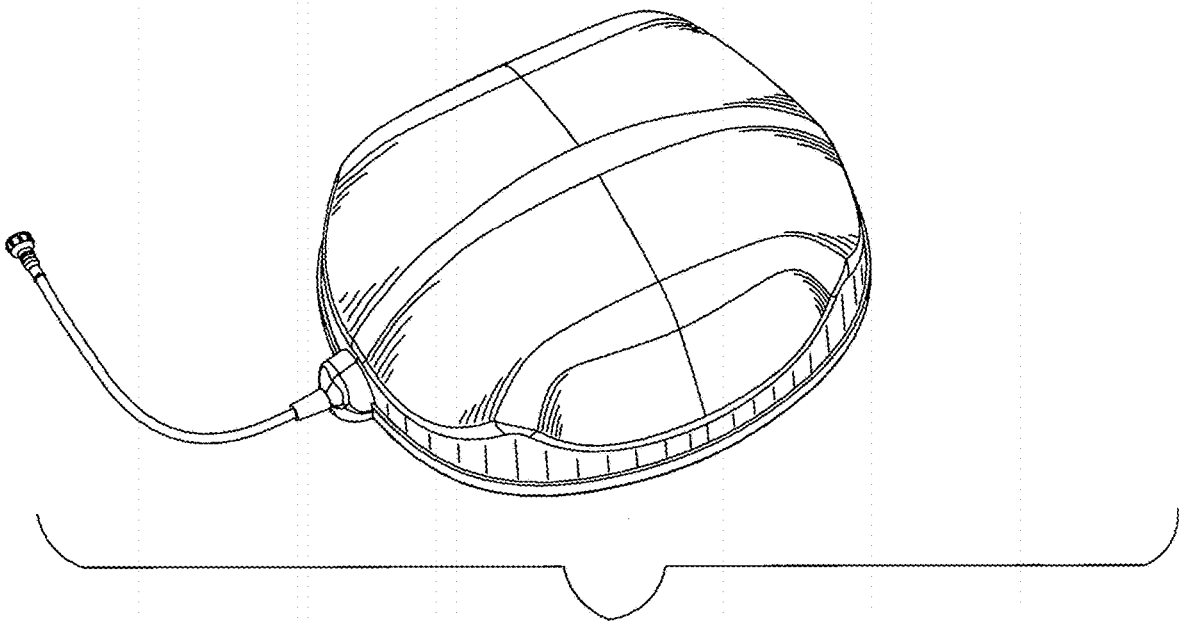


FIG. 9