



US00D348729S

# United States Patent [19]

[11] Patent Number: **Des. 348,729**

Mason

[45] Date of Patent: **\*\* Jul. 12, 1994**

[54] **COMBINED MOTOR HOUSING AND LIGHT FIXTURE FOR A CEILING FAN**

[76] Inventor: **Jean C. Mason, 2777 Woodshire Dr., Hollywood, Calif. 90068**

[\*\*] Term: **14 Years**

[21] Appl. No.: **12,874**

[22] Filed: **Sep. 13, 1993**

### Related U.S. Application Data

- [62] Division of Ser. No. 815,352, Dec. 31, 1991.
- [52] U.S. Cl. .... **D23/411; D23/377; D23/379; D23/385**
- [58] Field of Search ..... 362/96, 294; 416/5; 392/364, 362, 361; D23/377, 379, 385, 411, 328; D26/72, 59, 51, 81-86, 88

### References Cited

#### U.S. PATENT DOCUMENTS

- Re. 18,960 10/1933 Dauman ..... D26/88
- D. 82,179 9/1930 Ringwald ..... D23/379
- 1,565,277 12/1925 Hotchkin ..... D26/88
- 1,744,270 1/1930 Kellogg ..... 362/96

### OTHER PUBLICATIONS

- "Stealth 32000R", Casablanca Fan Co., 1991 Brochure, p. 11.
- "Marquis 33000R", Casablanca Fan Co., 1991 Brochure, p. 33.
- "Venus Halo 35000R", Casablanca Fan Co., 1991 Brochure, p. 13.
- "Athena" Chandelier, Boyd Lighting Catalog, 1993.

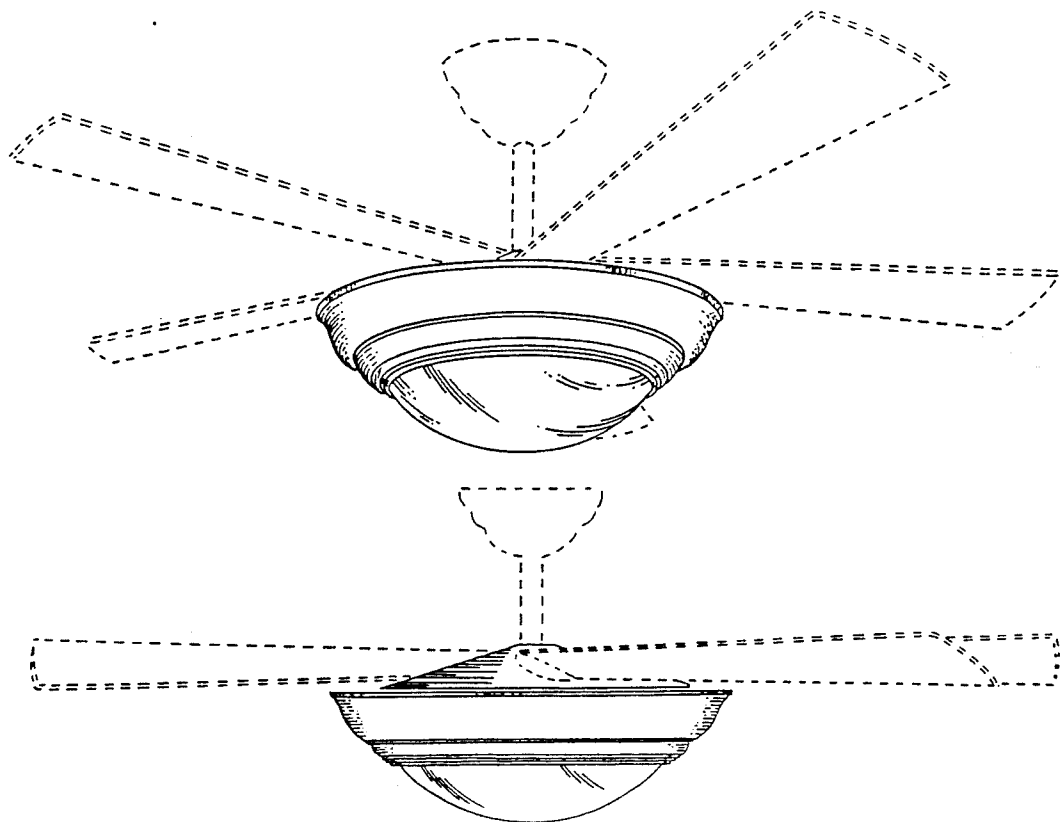
*Primary Examiner*—Wallace R. Burke  
*Assistant Examiner*—Lisa Lichtenstein  
*Attorney, Agent, or Firm*—Saidman Designlaw Group

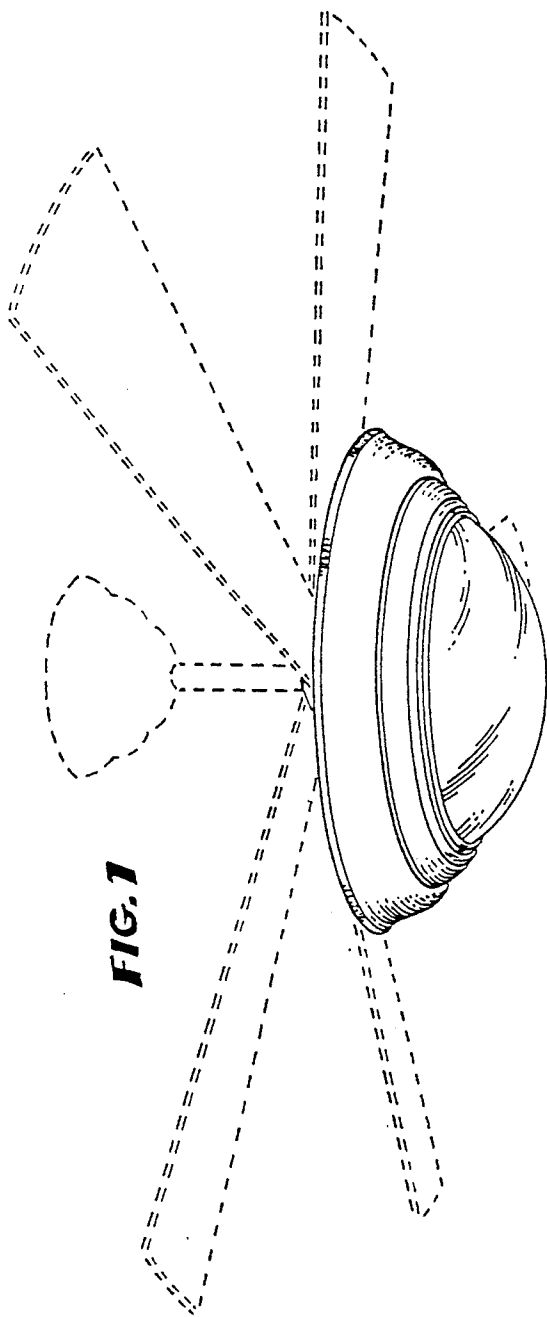
### [57] CLAIM

The ornamental design for a combined motor housing and light fixture for a ceiling fan, as shown and described.

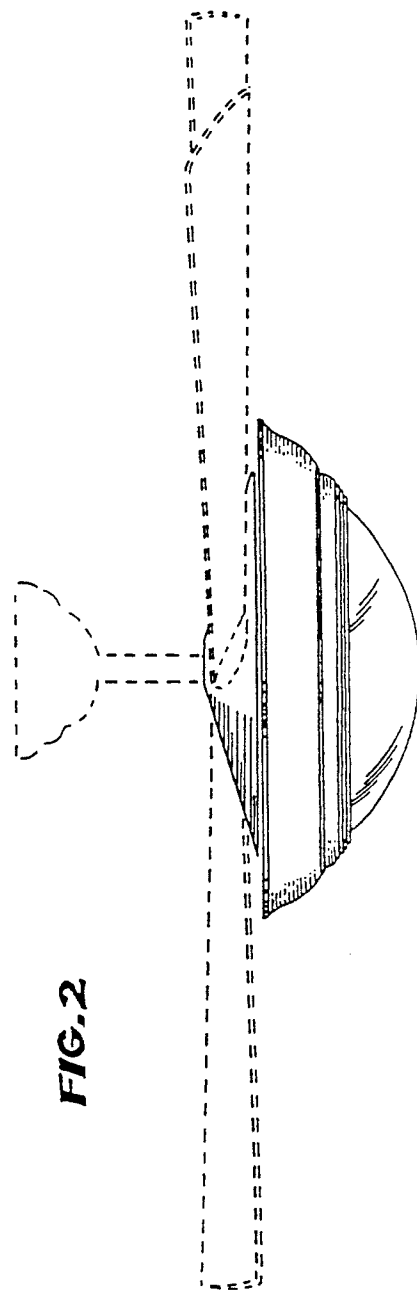
### DESCRIPTION

FIG. 1 is a perspective view of a combined motor housing and light fixture for a ceiling fan showing my new design;  
 FIG. 2 is a side elevational view thereof, the other three sides being identical to that shown;  
 FIG. 3 is a top plan view thereof, on a reduced scale; and,  
 FIG. 4 is a bottom plan view thereof.  
 The broken lines showing the fan blades, rod and canopy of the ceiling fan in FIGS. 1-4 are for illustrative purposes only and form no part of the claimed design.

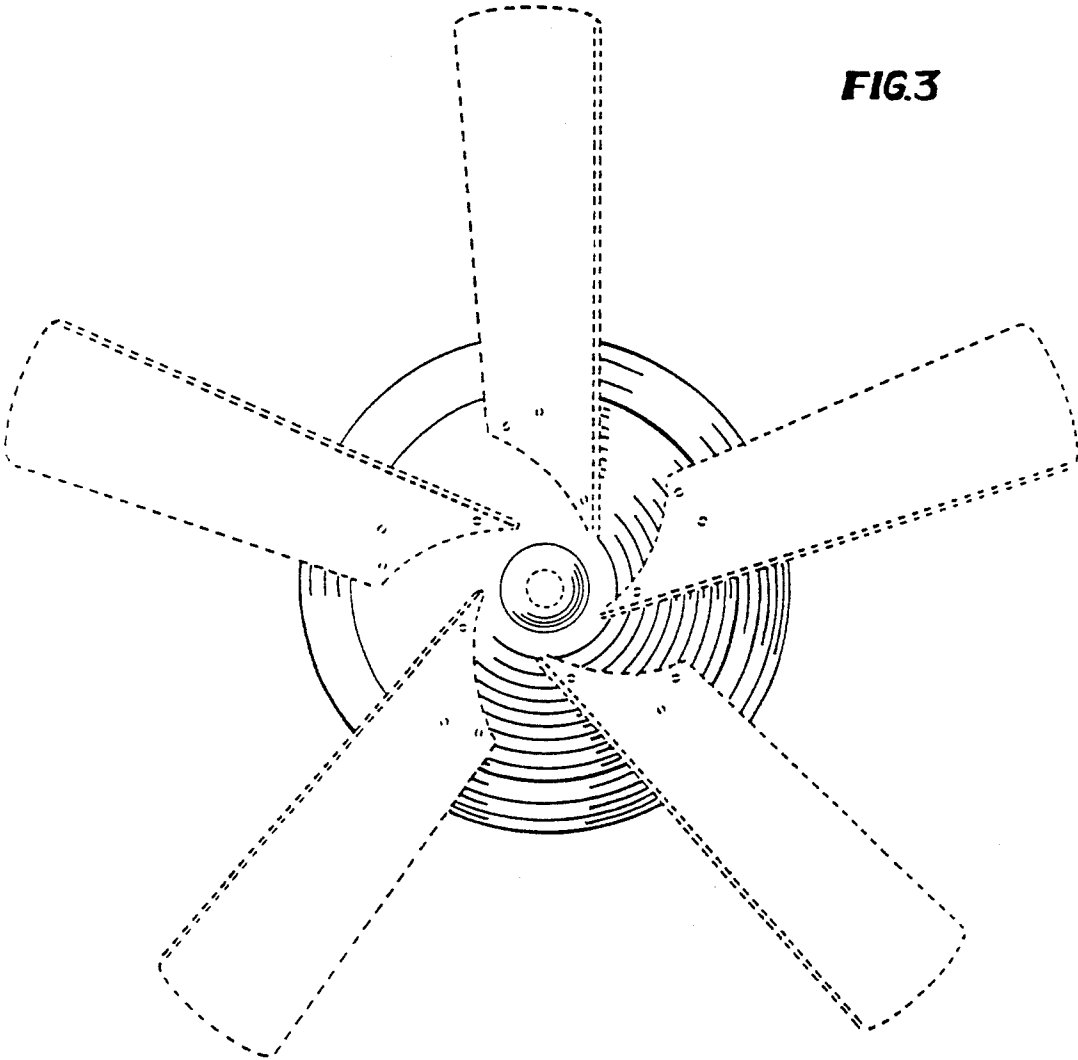




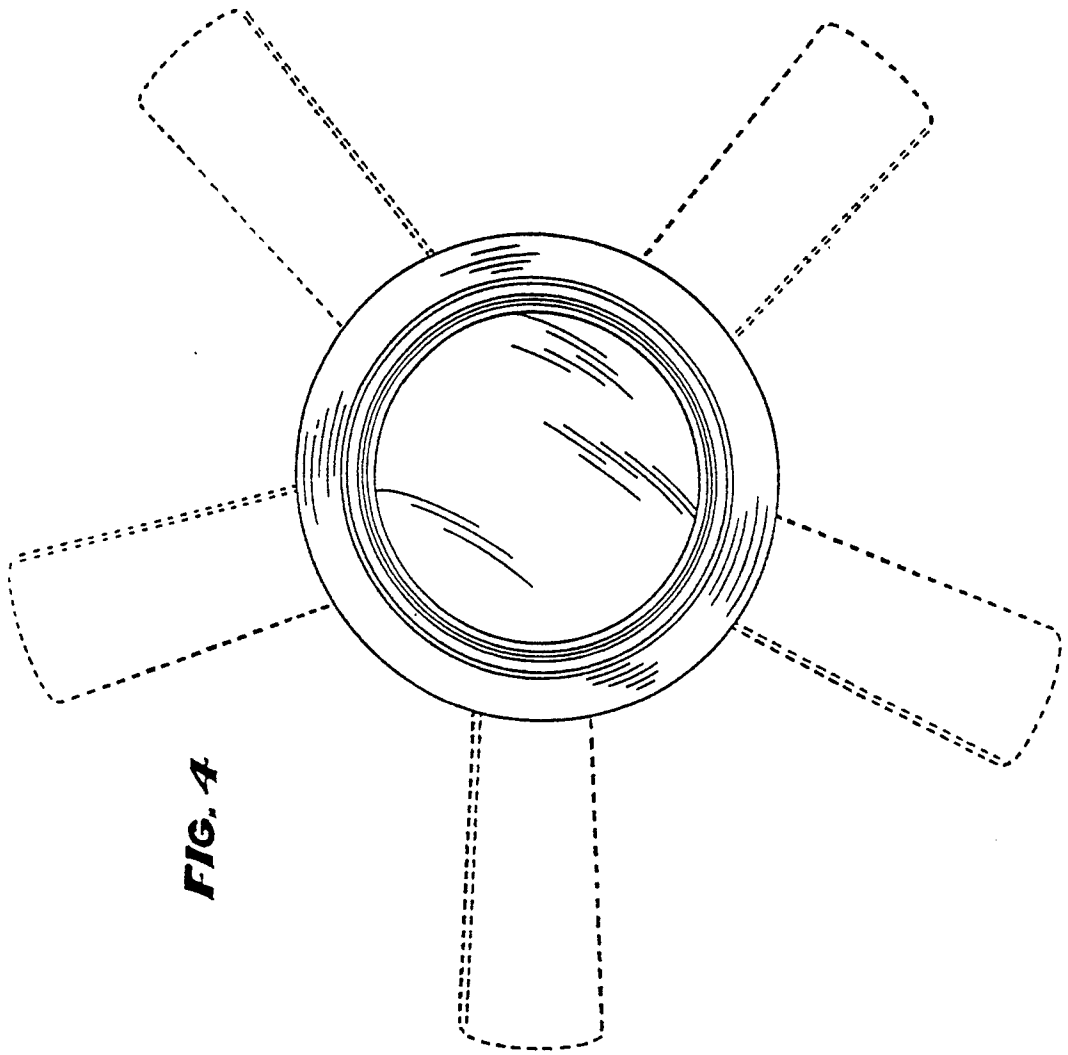
**FIG. 1**



**FIG. 2**



**FIG. 3**



**FIG. 4**