



US00D814307S

(12) **United States Design Patent**
de Baschmakoff

(10) **Patent No.:** **US D814,307 S**

(45) **Date of Patent:** **** Apr. 3, 2018**

(54) **PERFUME BOTTLE**

(56) **References Cited**

(71) Applicant: **GUERLAIN SOCIETE ANONYME,**
Paris (FR)

U.S. PATENT DOCUMENTS

(72) Inventor: **Thierry François de Baschmakoff,**
Paris (FR)

D326,813	S	*	6/1992	Gavala, Jr.	D9/568
D535,566	S	*	1/2007	Lin	D9/453
D580,271	S	*	11/2008	Tsai	D9/542
D605,054	S	*	12/2009	Ungrady	D9/559
D649,061	S	*	11/2011	Jeffs	D9/542
D698,254	S	*	1/2014	Regas	D9/453
D711,236	S	*	8/2014	Friesen	D9/519
D748,987	S	*	2/2016	Gagliardi	D9/541
D769,124	S	*	10/2016	Wieland	D9/548
D786,689	S	*	5/2017	Dalton	D9/573
D791,605	S	*	7/2017	Friesen	D9/559
D795,699	S	*	8/2017	Vivas	D9/537
D799,976	S	*	10/2017	Maier	D9/550

(**) Term: **15 Years**

(21) Appl. No.: **35/501,927**

(22) Filed: **Oct. 14, 2016**

(80) **Hague Agreement Data**

Int. Filing Date: **Oct. 14, 2016**
Int. Reg. No.: **DM/093350**
Int. Reg. Date: **Oct. 14, 2016**
Int. Reg. Pub. Date: **Nov. 18, 2016**

* cited by examiner

Primary Examiner — Richard E Chilcot

(51) **LOC (11) Cl.** **09-01**

(52) **U.S. Cl.**
USPC **D9/559**
CPC **B65D 1/00** (2013.01)

(57) **CLAIM**

The ornamental design for a perfume bottle, as shown and described.

(58) **Field of Classification Search**

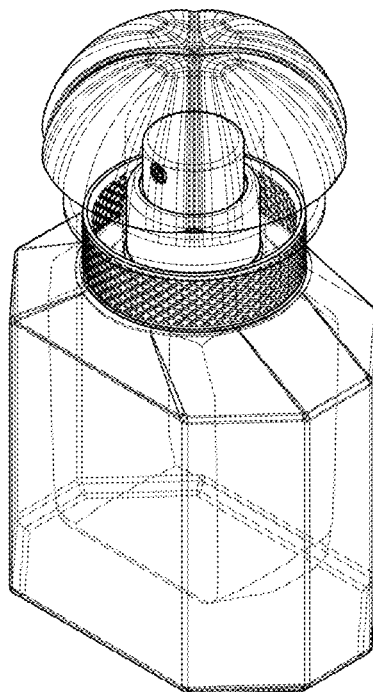
USPC D9/501–506, 516–575, 763–783;
D7/300–322, 396.2, 509–511, 523, 589,
D7/598, 612, 615, 619.1
CPC B65D 1/00; B65D 1/02; B65D 1/0223;
B65D 1/0261; B65D 1/40; B65D 1/42;
B65D 1/44; B65D 23/00; B65D 23/102;
B65D 81/00; B65D 2501/00; B65D
2501/0009; B65D 2501/0018; B65D
2501/0036

DESCRIPTION

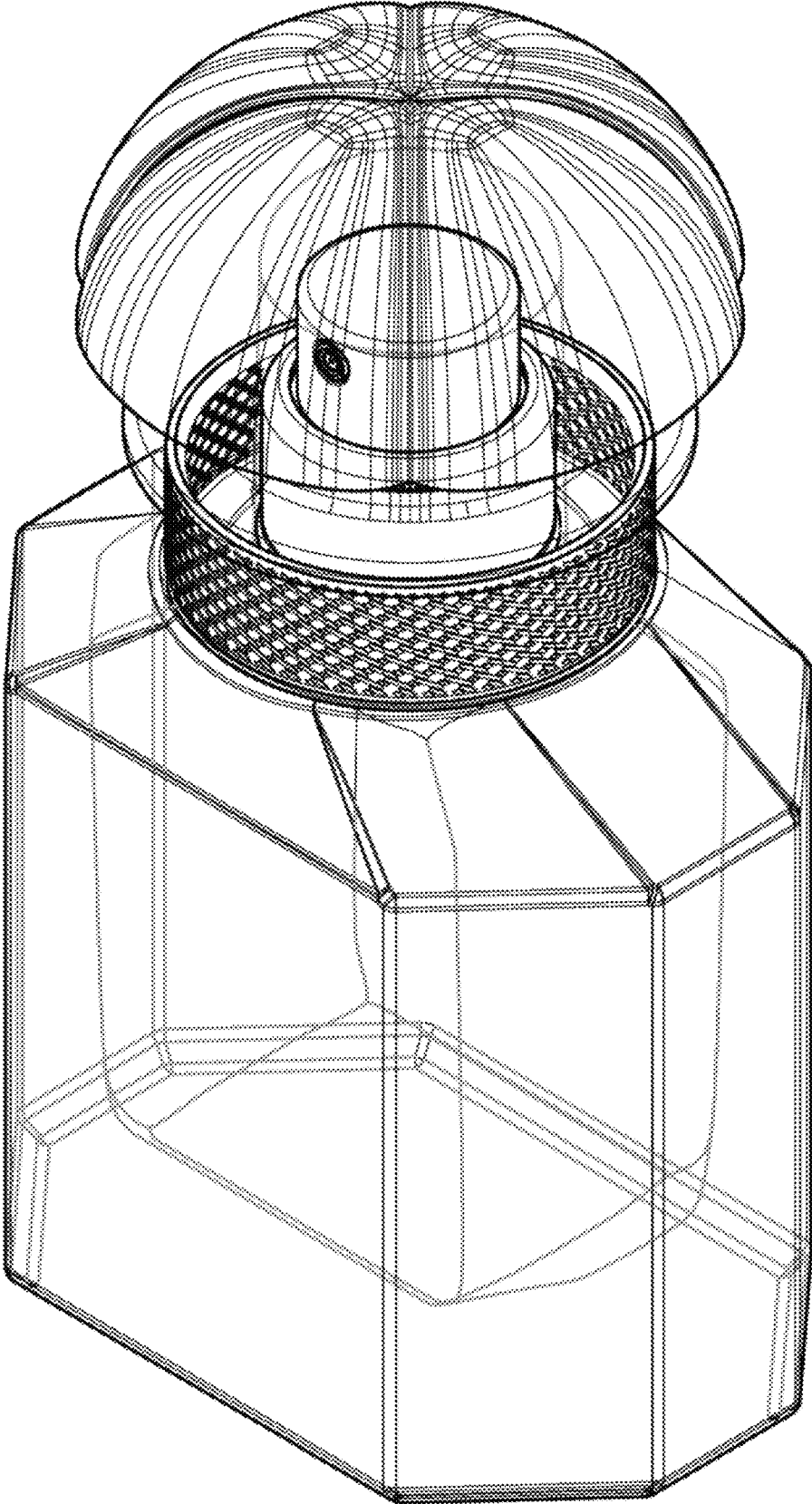
- 1. Perfume bottle
- 1.1 : Perspective
- 1.2 : Front
- 1.3 : Back
- 1.4 : Right
- 1.5 : Left
- 1.6 : Top
- 1.7 : Bottom

See application file for complete search history.

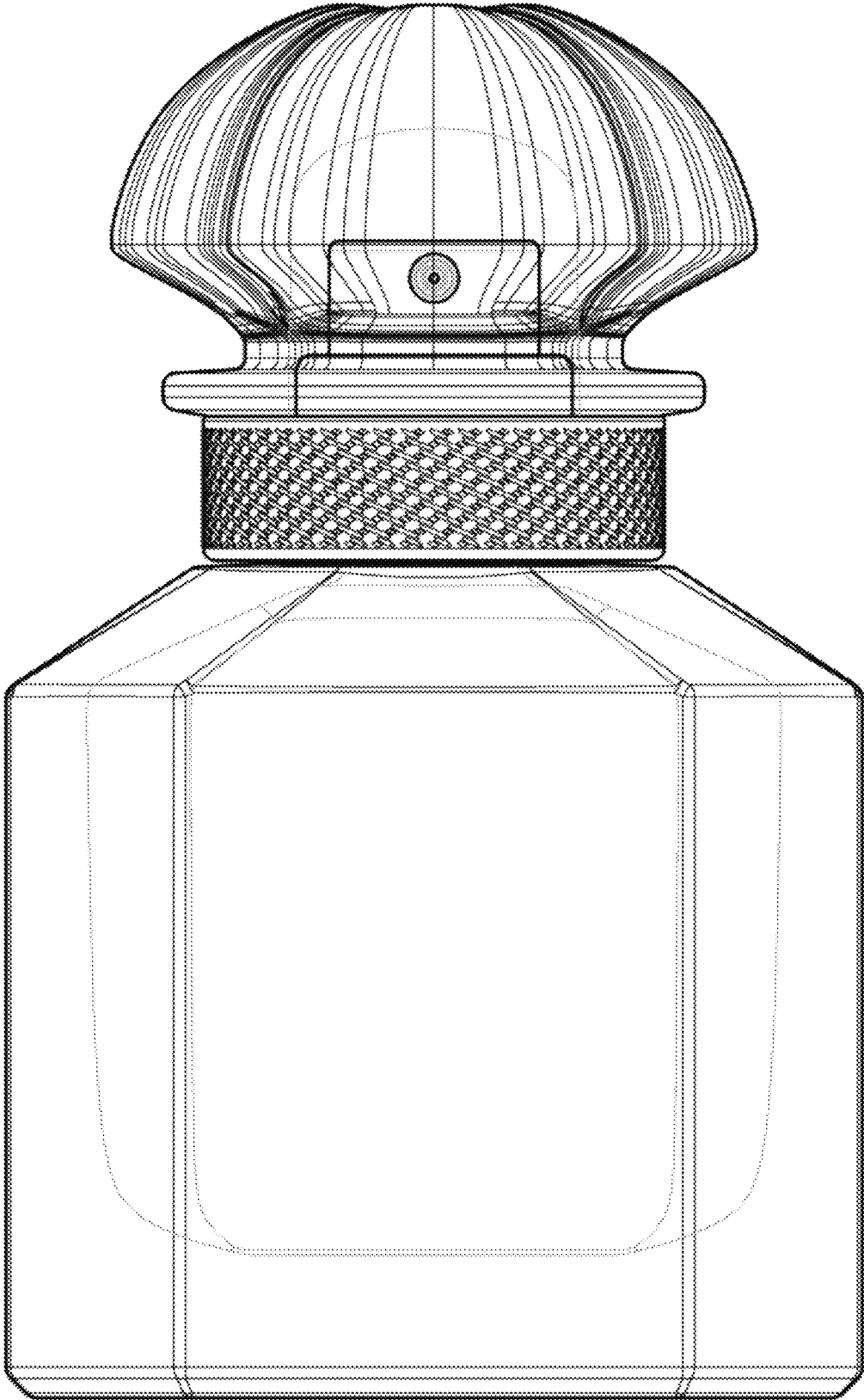
1 Claim, 7 Drawing Sheets



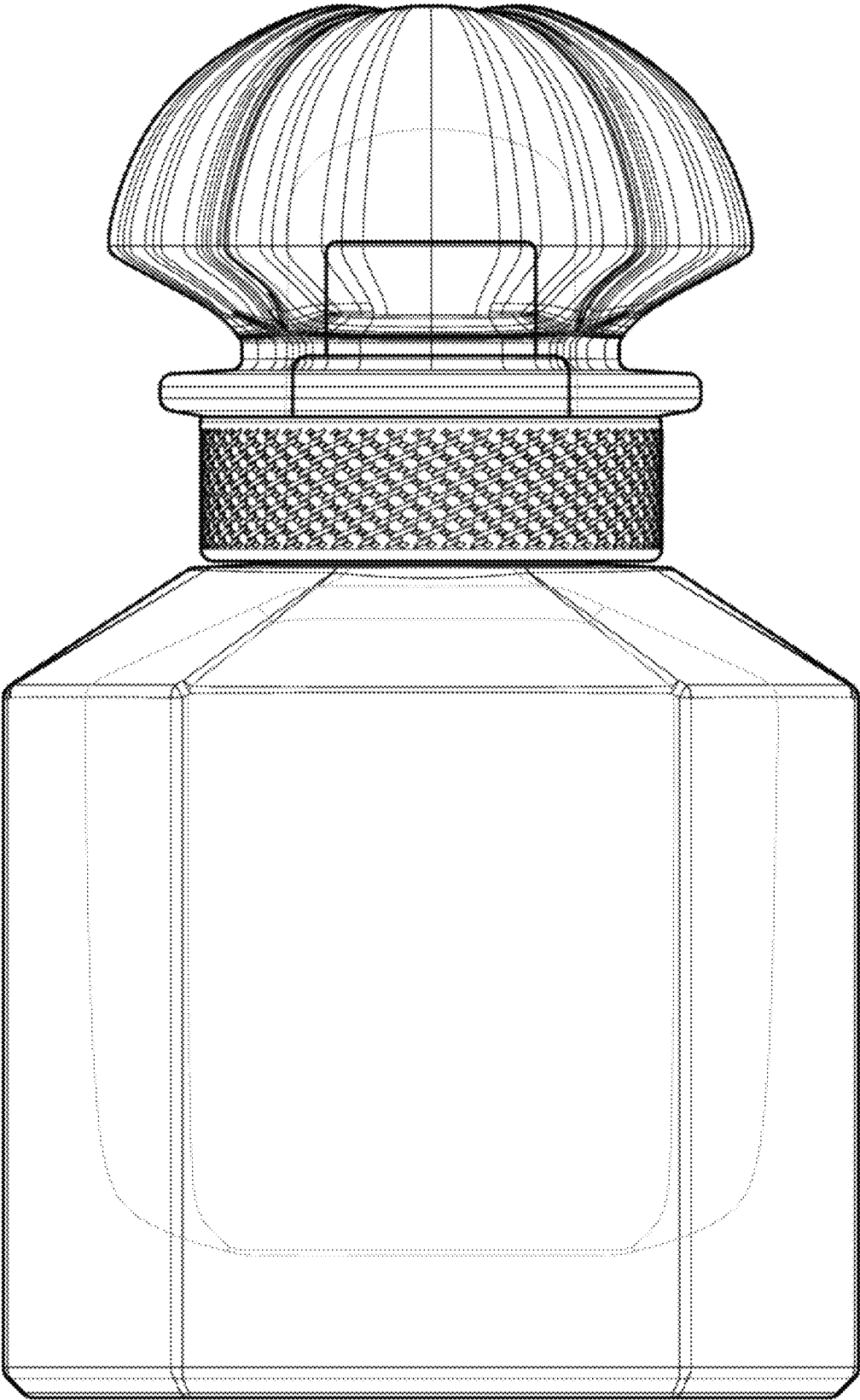
1.1



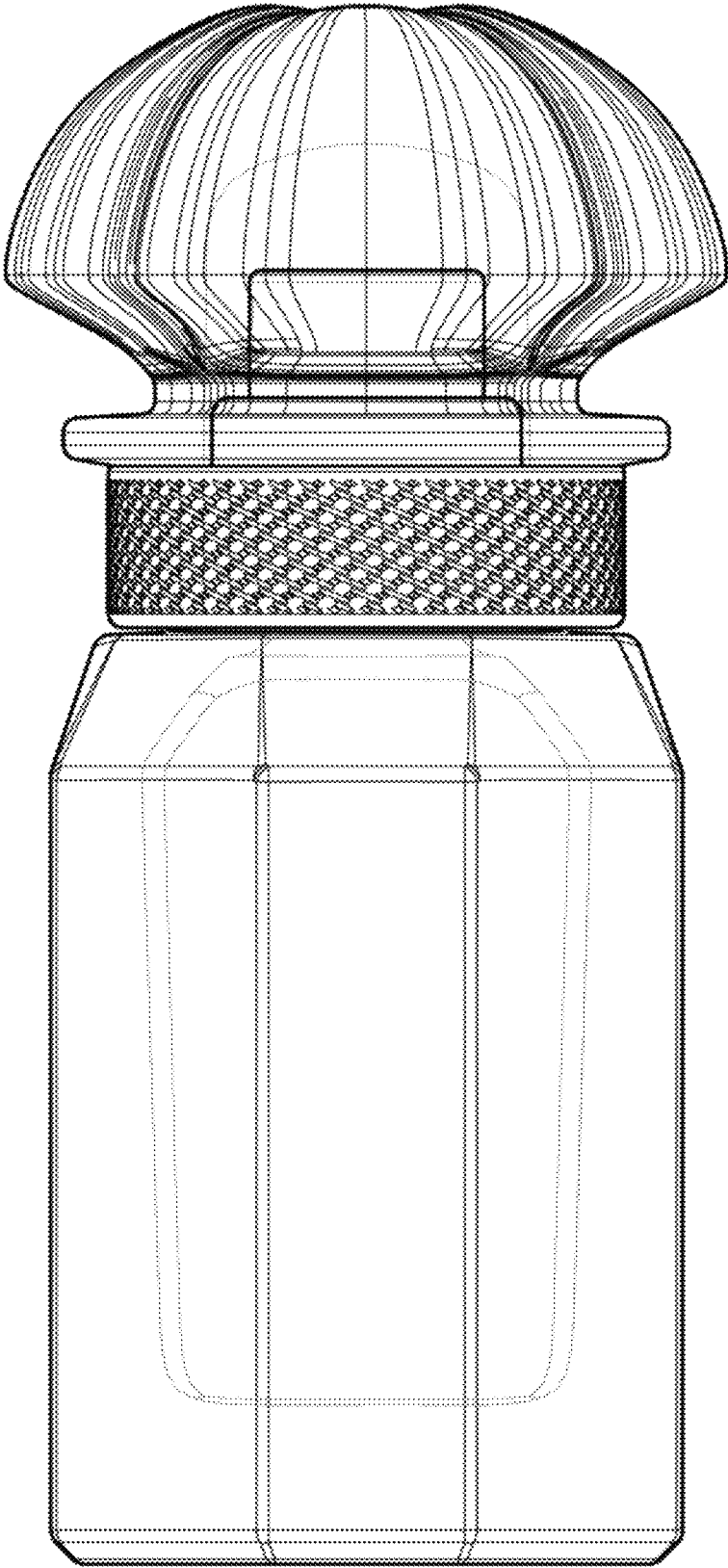
1.2



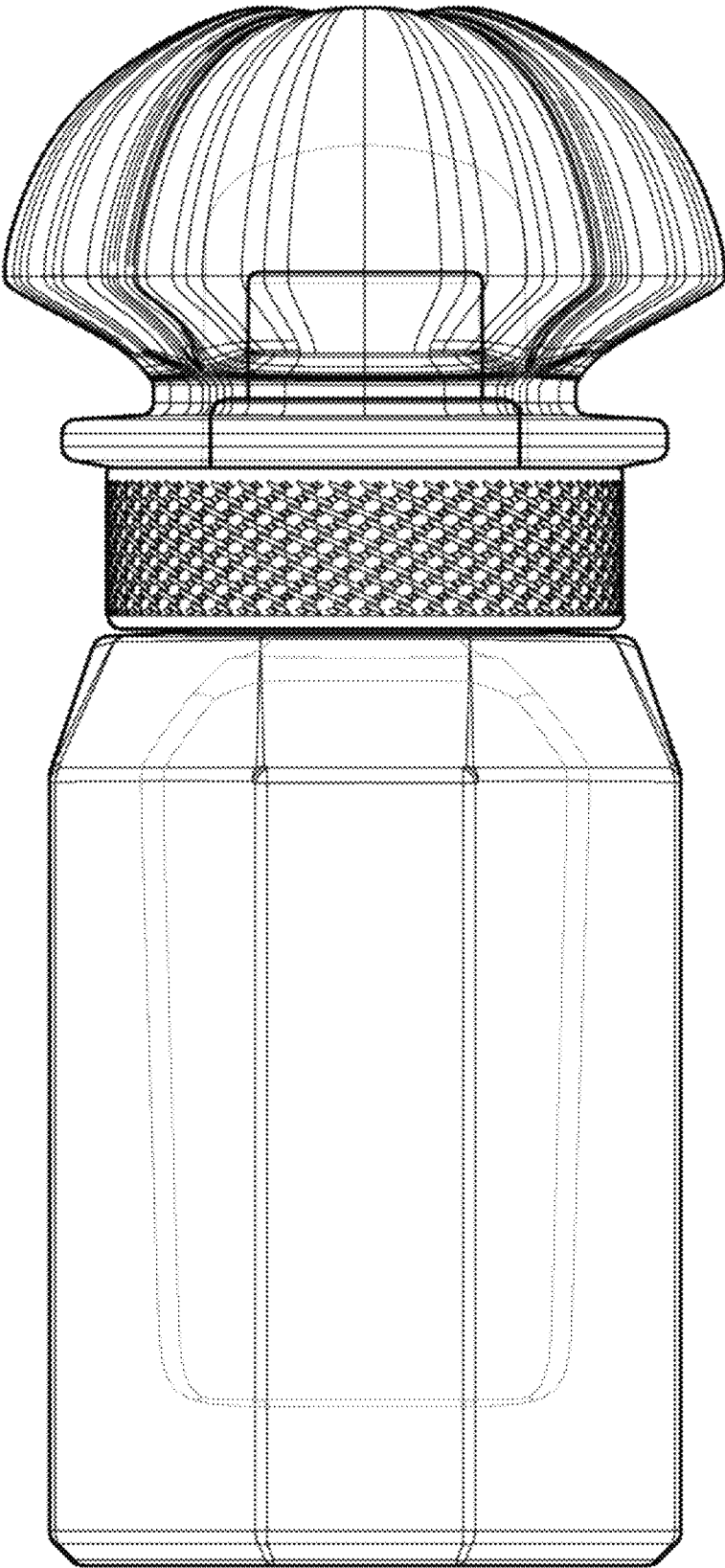
1.3



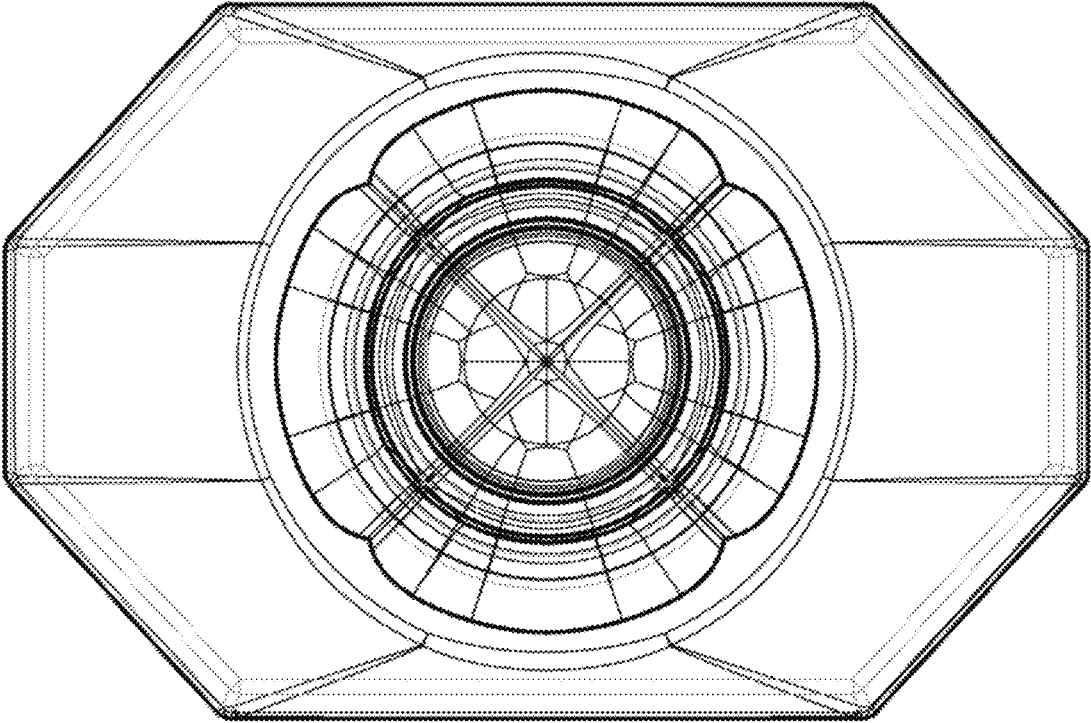
1.4



1.5



1.6



1.7

