

[54] MASHER

[75] Inventor: George Hoehne, Glen Cove, N.Y.

[73] Assignee: Bonny Products, Inc., Lynbrook, N.Y.

[\*\*] Term: 14 Years

[21] Appl. No.: 692,988

[22] Filed: Jan. 22, 1985

[52] U.S. Cl. .... D7/101

[58] Field of Search ..... D7/99, 101-106;  
30/324-328

[56] References Cited

U.S. PATENT DOCUMENTS

2,726,696 12/1955 Filthuth ..... D7/101 X

OTHER PUBLICATIONS

Hong Kong Enterprise, 5/82, p. 1, Masher, upper, right corner.

Primary Examiner—Bernard Ansher

Assistant Examiner—Terry Pfeffer

Attorney, Agent, or Firm—Pennie & Edmonds

[57] CLAIM

The ornamental design for a masher, substantially as shown and described.

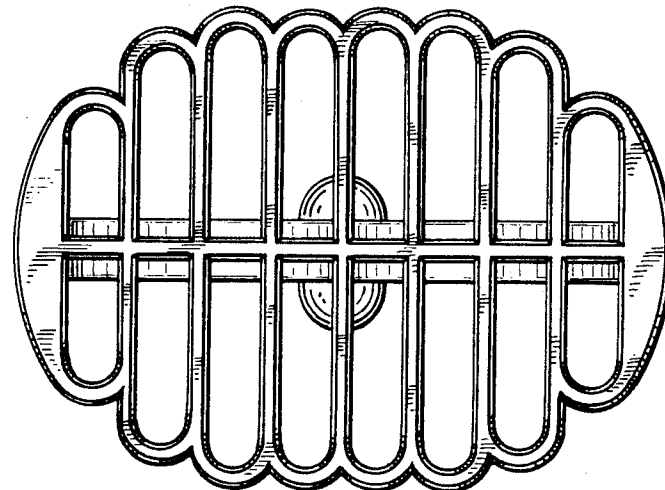
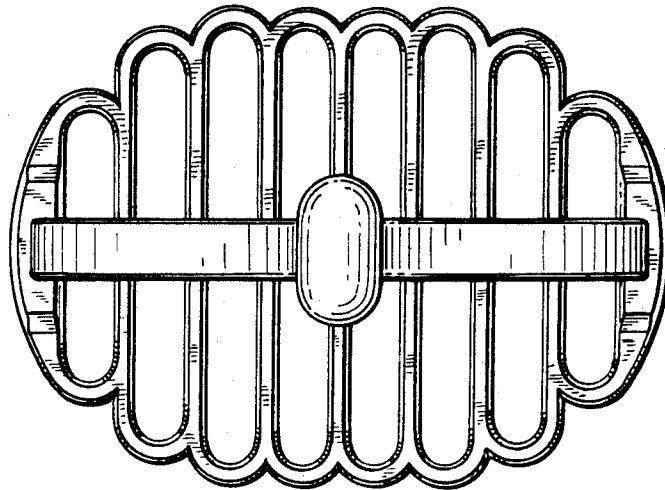
DESCRIPTION

FIG. 1 is a front elevational view of a masher showing my new design;

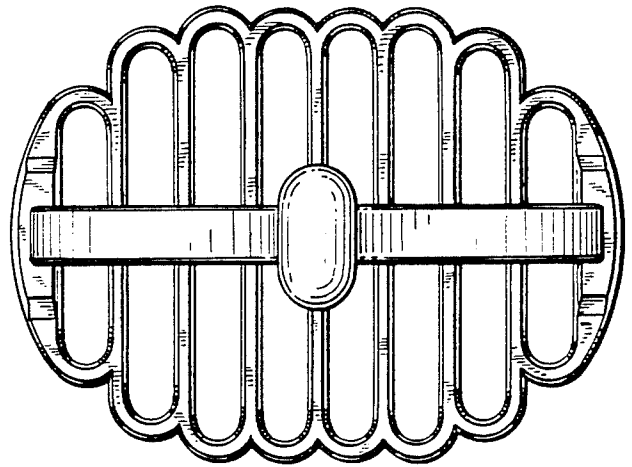
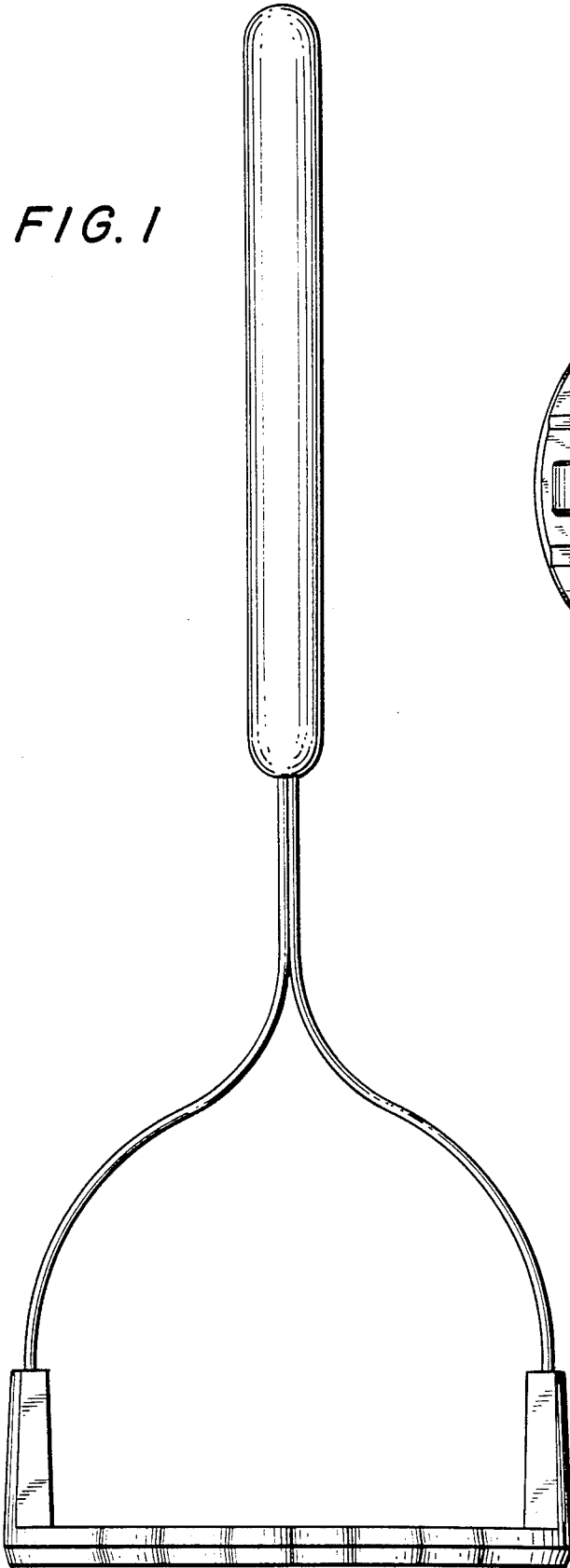
FIG. 2 is a top plan view thereof;

FIG. 3 is a right side elevational view thereof, the left side being a mirror image thereof; and

FIG. 4 is a bottom plan view thereof.



*FIG. 1*



*FIG. 2*

FIG. 3

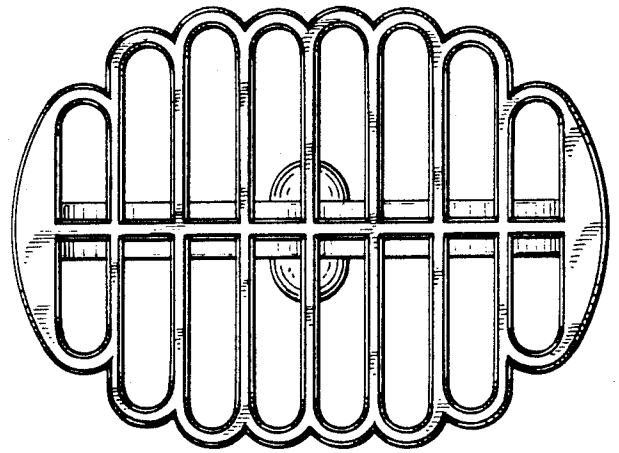
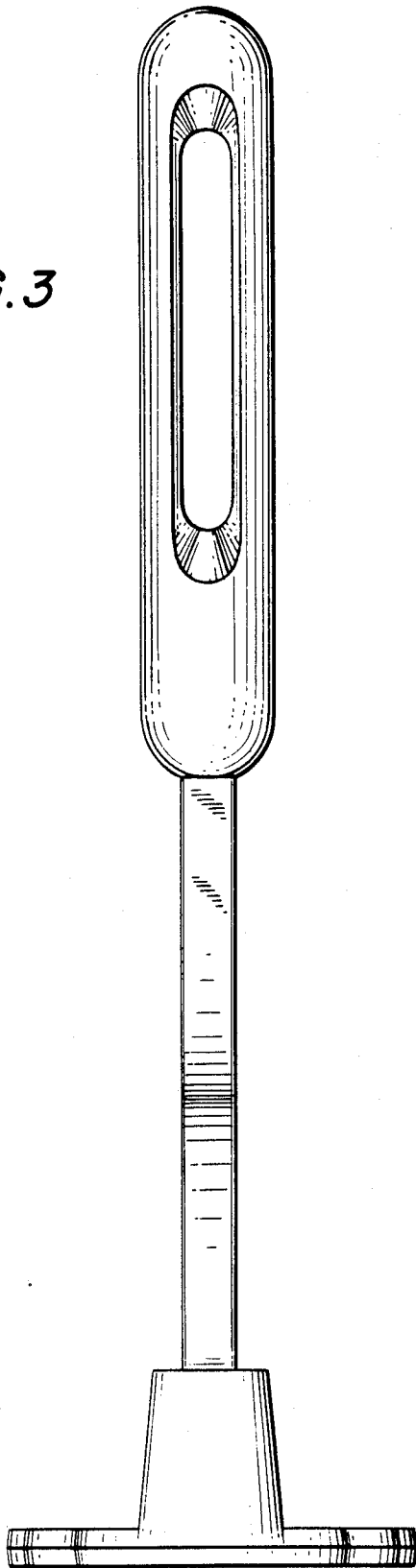


FIG. 4