



(12) **United States Design Patent**
Luo

(10) **Patent No.:** **US D890,289 S**
(45) **Date of Patent:** **** Jul. 14, 2020**

(54) **MOUSE TRAP**
(71) Applicant: **Chengxin Luo**, Shenzhen (CN)
(72) Inventor: **Chengxin Luo**, Shenzhen (CN)
(**) Term: **15 Years**
(21) Appl. No.: **29/729,862**
(22) Filed: **Mar. 31, 2020**
(51) **LOC (12) Cl.** **22-06**
(52) **U.S. Cl.**
USPC **D22/119**
(58) **Field of Classification Search**
USPC D22/119-125; 43/58, 61, 63, 73, 77, 81,
43/83, 90, 99, 114, 64-65, 67, 97, 124,
43/121, 131
CPC A01M 23/00; A01M 23/06; A01M 23/08;
A01M 23/16; A01M 23/18; A01M 23/30;
A01M 31/002
See application file for complete search history.

D690,789 S 10/2013 Wauson
D802,080 S * 11/2017 Lo D22/119
D857,834 S * 8/2019 Tian D22/119
D861,824 S * 10/2019 Yang D22/119
D865,903 S 11/2019 Yang
2008/0216386 A1* 9/2008 Le Laidier A01M 23/22
43/67
2009/0205244 A1* 8/2009 Pomerantz A01M 23/18
43/61
2012/0174469 A1* 7/2012 Gardner A01M 23/00
43/60

* cited by examiner

Primary Examiner — Catherine R Oliver-Garcia
(74) *Attorney, Agent, or Firm* — HYIP

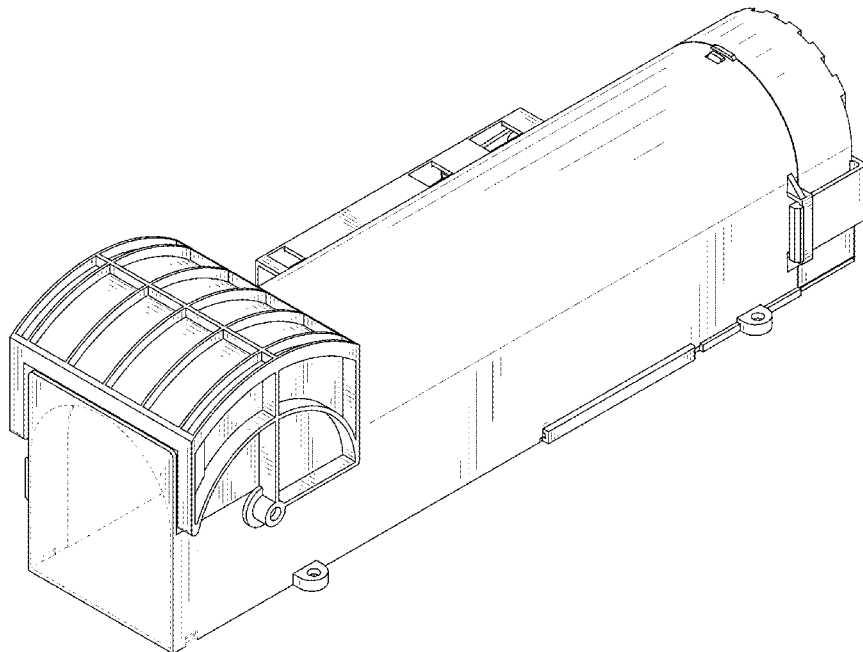
(57) **CLAIM**
The ornamental design for a mouse trap, as shown and described.

DESCRIPTION

FIG. 1 is a first perspective view of a mouse trap showing my new design;
FIG. 2 is a second perspective view thereof;
FIG. 3 is a front view thereof;
FIG. 4 is a back view thereof;
FIG. 5 is a left side view thereof;
FIG. 6 is a right side view thereof;
FIG. 7 is a top view thereof;
FIG. 8 is a bottom view thereof; and,
FIG. 9 is a perspective view of another state of the mouse trap thereof.
The broken lines shown in the drawings depict portions of the mouse trap in which the design is embodied that form no, part of the claimed design.

(56) **References Cited**
U.S. PATENT DOCUMENTS
2,475,462 A * 7/1949 Rosen A01M 23/18
43/61
2,637,931 A * 5/1953 Sklar A01M 23/30
43/83
4,550,523 A * 11/1985 Spiller A01M 23/18
43/61
4,578,892 A * 4/1986 Melton A01M 23/18
43/58
D291,588 S * 8/1987 Melton D22/119
D323,016 S * 1/1992 Vajs D22/119
5,615,515 A * 4/1997 Woodruff A01M 23/06
43/60
D673,640 S 1/2013 Bailey et al.

1 Claim, 9 Drawing Sheets



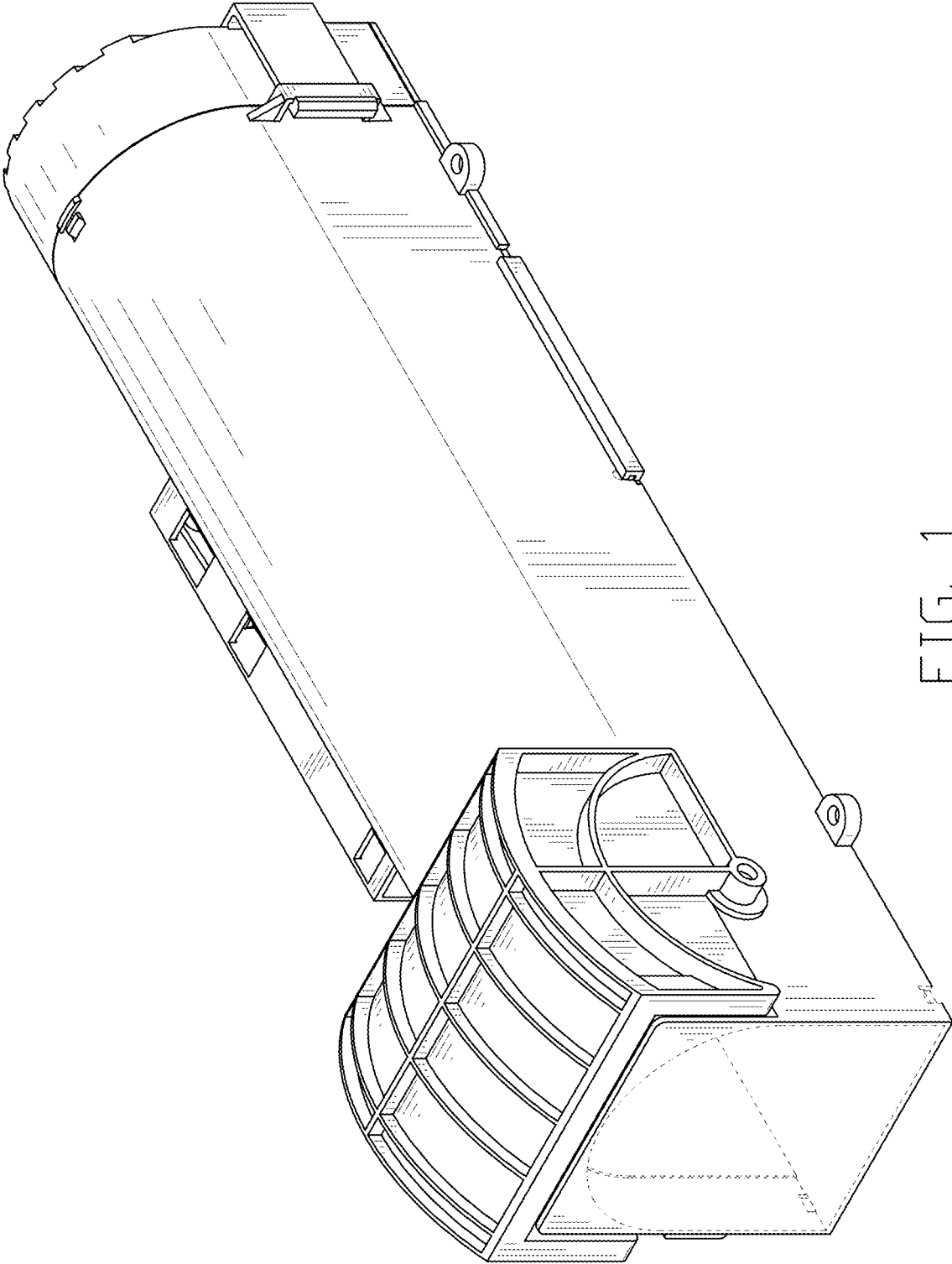


FIG. 1

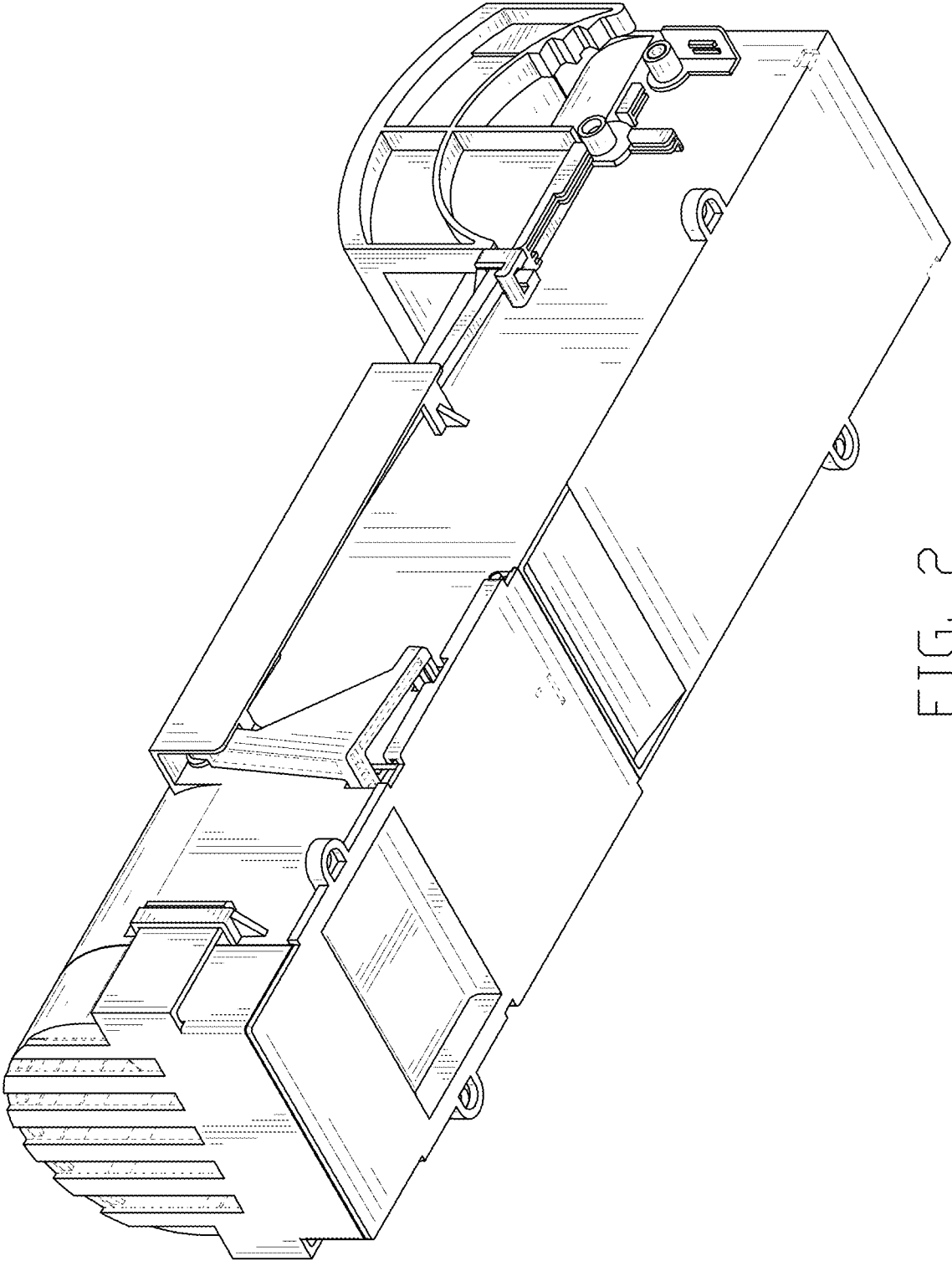


FIG. 2

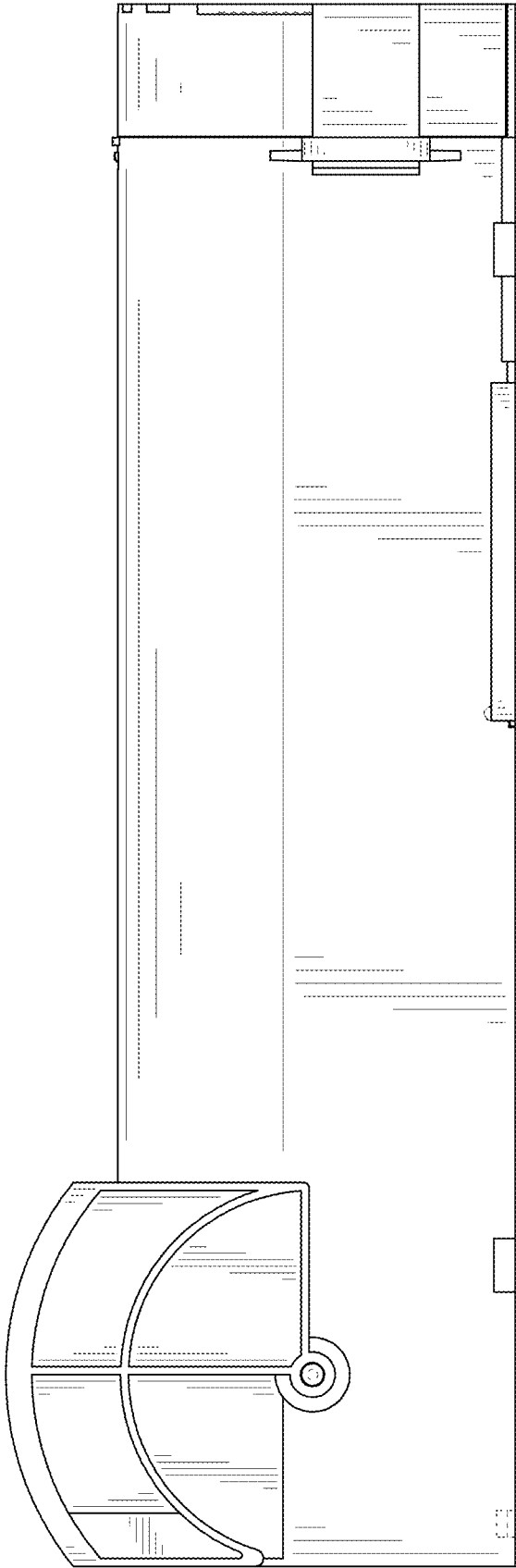


FIG. 3

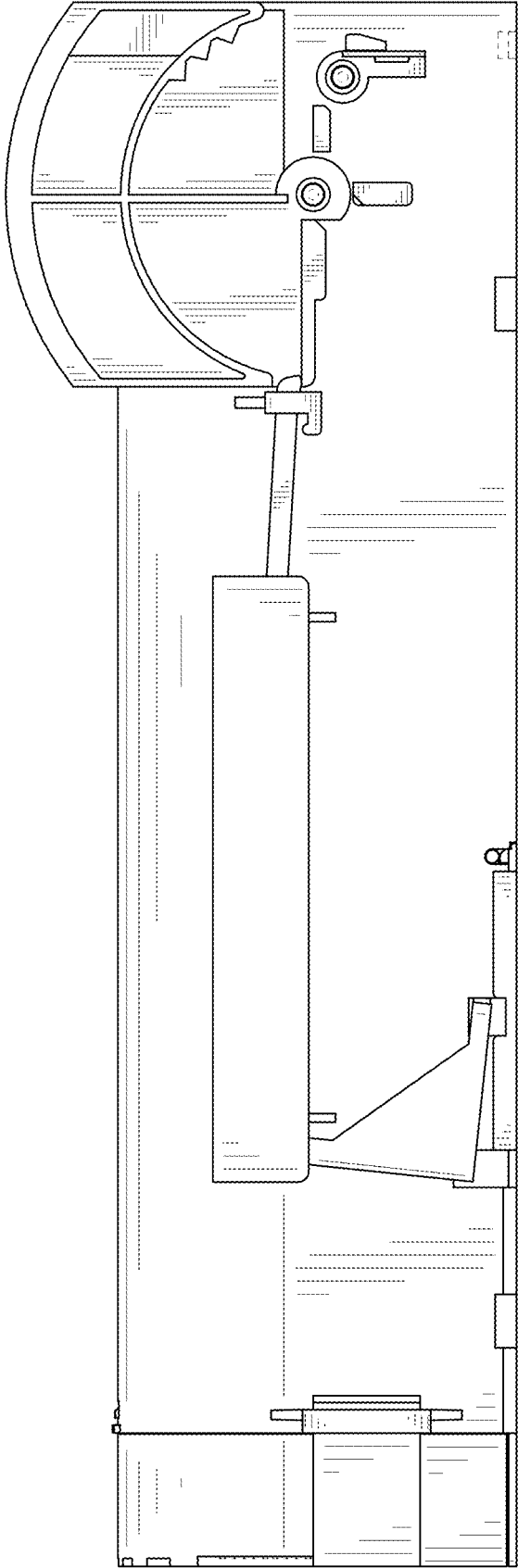


FIG. 4

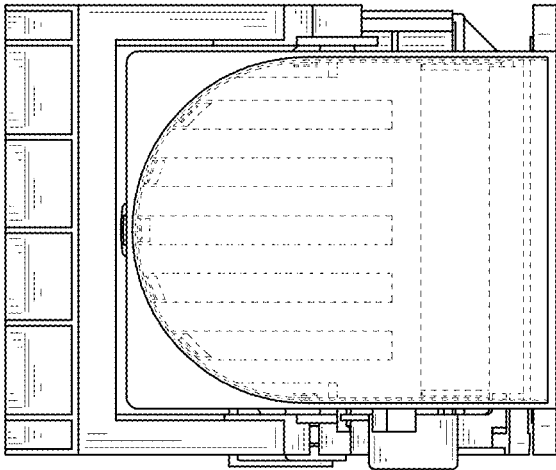


FIG. 5

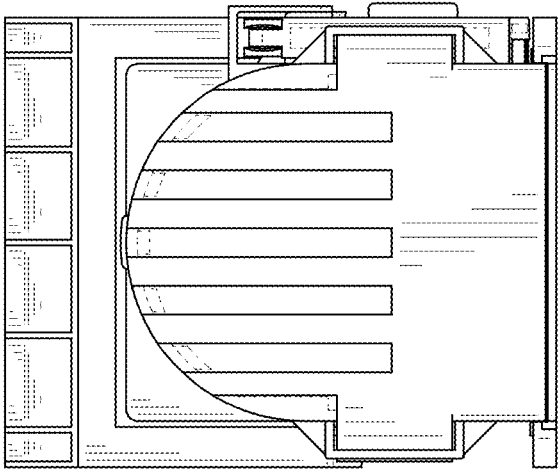


FIG. 6

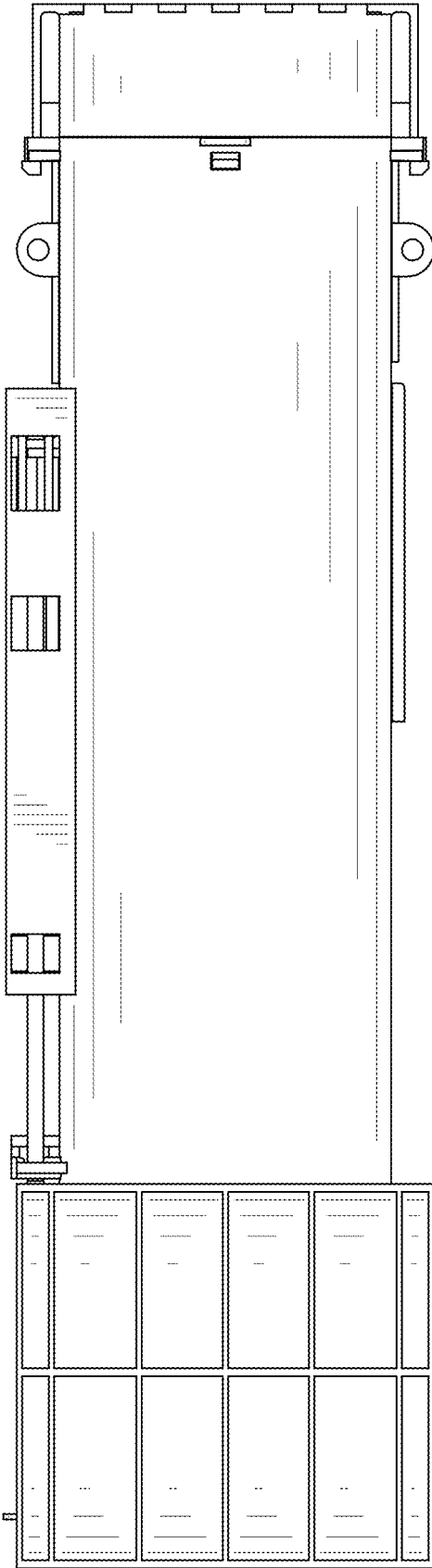


FIG. 7

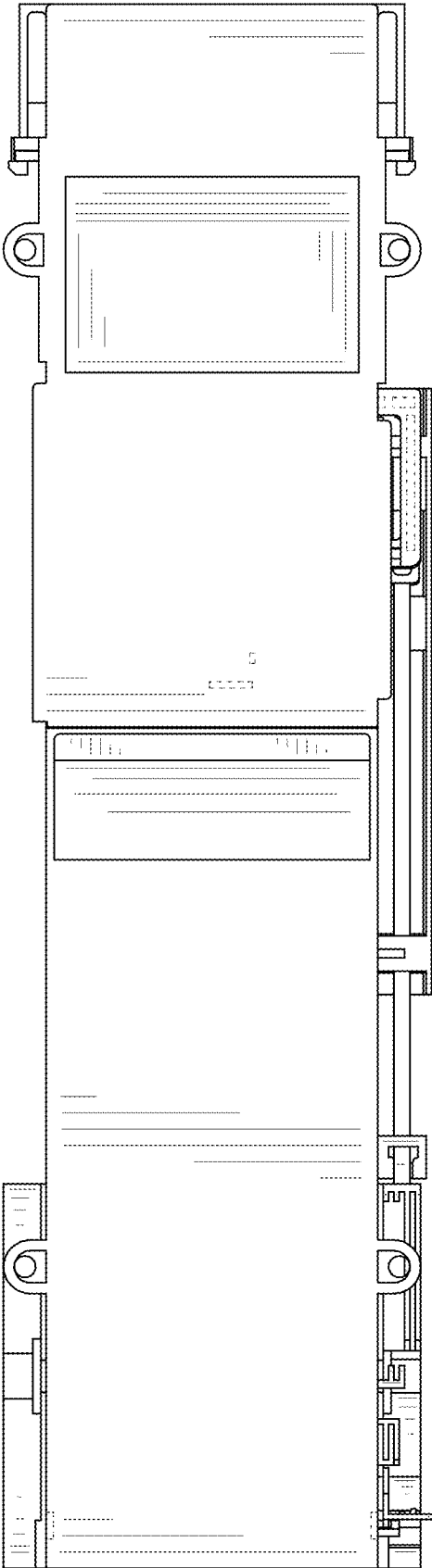


FIG. 8

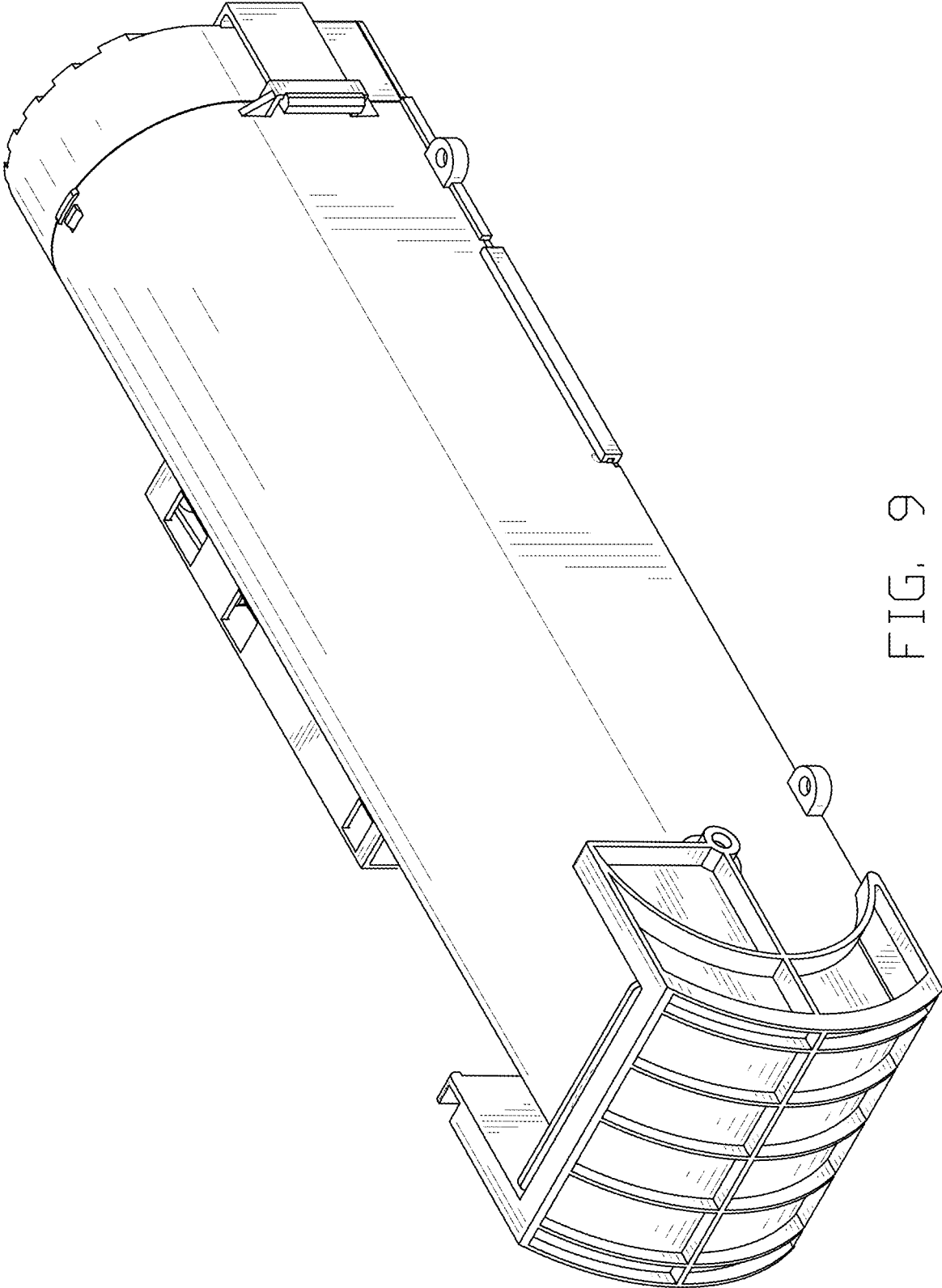


FIG. 9