



US00D956411S

(12) **United States Design Patent**
Jin

(10) **Patent No.:** **US D956,411 S**

(45) **Date of Patent:** **** Jul. 5, 2022**

(54) **DIAPER BAG**

(71) Applicant: **Jiang Jin**, Zhejiang (CN)

(72) Inventor: **Jiang Jin**, Zhejiang (CN)

(**) Term: **15 Years**

(21) Appl. No.: **29/756,353**

(22) Filed: **Oct. 27, 2020**

(51) **LOC (13) Cl.** **03-01**

(52) **U.S. Cl.**
USPC **D3/217**

(58) **Field of Classification Search**

USPC D3/214–226, 230–233, 242–244, 254
CPC A45F 3/00; A45F 3/005; A45F 3/02; A45F
3/04; A45F 3/042; A45F 3/047; A45F
3/06; A45F 3/08; A45F 3/10; A45F
2003/001; A45F 2003/002; A45F
2003/003; A45F 2003/006; A45F
2003/007; A45F 2003/008; A45F
2003/025; A45F 2003/045; A45F
2200/00; A45F 2200/05; A45F
2200/0525; A45F 2200/0533

See application file for complete search history.

(56) **References Cited**

U.S. PATENT DOCUMENTS

2,324,194 A * 7/1943 Campiglia A61F 17/00
D3/217
D323,237 S * 1/1992 Zoltie D3/217
D360,182 S * 7/1995 Lovett D3/217
D361,427 S * 8/1995 Taguchi D3/254
D382,110 S * 8/1997 Pollari D3/217
D387,198 S * 12/1997 Lehmann D3/217
D396,745 S * 8/1998 Peterson D3/216
D446,009 S * 8/2001 Mandell D3/217
D472,371 S * 4/2003 Pomare D3/217
6,659,320 B1 * 12/2003 Alves A45F 3/04
224/652

(Continued)

FOREIGN PATENT DOCUMENTS

CN 305364155 * 9/2019
CN 305942257 * 7/2020

(Continued)

OTHER PUBLICATIONS

Orbisify Diaper Bag Backpack, available at orbisify.com, earliest customer review date May 2, 2019 [online], site visited Apr. 13, 2022, available from the internet URL: <https://orbisify.com/product/orbisify-diaper-bag-backpack/> (Year: 2019).*

(Continued)

Primary Examiner — S. Bryan Reinholdt, Jr.

Assistant Examiner — Jillian Mazzola

(74) *Attorney, Agent, or Firm* — ScienBiziP, P.C.

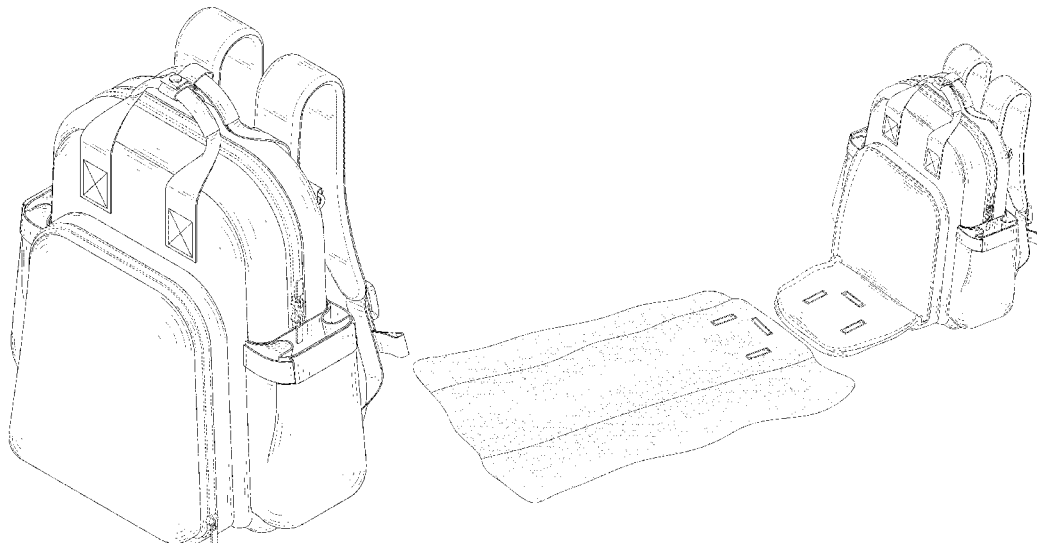
(57) **CLAIM**

The ornamental design for a diaper bag, as shown and described.

DESCRIPTION

FIG. 1 is a front and top perspective view of a diaper bag, showing my design.
FIG. 2 is a rear and bottom perspective view thereof.
FIG. 3 is a front elevation view thereof.
FIG. 4 is a rear elevation view thereof.
FIG. 5 is a left side elevation thereof.
FIG. 6 is a right side elevation thereof.
FIG. 7 is a top plan view thereof.
FIG. 8 is a bottom plan view thereof.
FIG. 9 is a perspective view of the diaper bag shown in an alternate configuration in an expanded state; and,
FIG. 10 is an exploded perspective view of the diaper bag shown in another alternate configuration in an expanded state with the expanded section turned over.
The broken lines in the drawings depict portions of the diaper bag that form no part of the claimed design.

1 Claim, 10 Drawing Sheets



(56)

References Cited

U.S. PATENT DOCUMENTS

D485,061	S *	1/2004	Noell	D3/226
D485,432	S *	1/2004	Desrochers	D3/217
6,712,249	B2 *	3/2004	Magnusson	H04R 5/023 224/652
D488,926	S *	4/2004	Domotor	D3/246
D500,590	S *	1/2005	Sachen	D3/216
D505,258	S *	5/2005	Bird	D3/217
D506,865	S *	7/2005	Homsher	D3/254
D673,362	S *	1/2013	Presman	D3/217
D698,542	S *	2/2014	January	D3/217
D714,541	S *	10/2014	Anderson	D3/217
D742,631	S *	11/2015	Kim	D3/217
D819,959	S *	6/2018	Choi	D3/217
D851,393	S *	6/2019	Carter	D3/217
D856,662	S *	8/2019	Breines	D3/217
D861,329	S *	10/2019	Wei	D3/217
D879,464	S *	3/2020	Vario, Jr.	D3/217
D880,147	S *	4/2020	Sanz	D3/217
D885,042	S *	5/2020	Li	D3/217
D891,091	S *	7/2020	Baldemor	D3/217
D896,504	S *	9/2020	Li	D3/217
D896,505	S *	9/2020	Yuan	D3/217
D898,359	S *	10/2020	Ho	D3/217
D919,962	S *	5/2021	Shi	D3/217
D922,762	S *	6/2021	He	D3/217
D927,174	S *	8/2021	Dai	D3/217
D941,014	S *	1/2022	Ren	D3/217
D945,148	S *	3/2022	Liao	D3/217
2011/0314608	A1 *	12/2011	Rovin	A47D 5/006 5/655
2019/0082817	A1 *	3/2019	Ji	A45F 3/04
2022/0039542	A1 *	2/2022	McGrath	A45C 3/004

FOREIGN PATENT DOCUMENTS

CN	306674944	*	7/2021
GB	6137147	*	5/2021
GB	6159617	*	9/2021

OTHER PUBLICATIONS

Diaper Backpack, available at babylist.com, earliest customer review date Jul. 1, 2021 [online], site visited Apr. 13, 2022, available from the internet URL: <https://www.babylist.com/gp/product-of-the-north-product-of-the-north-x-babylist-sustainable-elkin-diaper-backpack/21404/118228> (Year: 2021).*

Raki Inc Unisex Diaper Bag Backpack, available at amazon.in, earliest date available Jan. 10, 2020 [online], site visited Apr. 13, 2022, available from the internet URL: <https://www.amazon.in/Unisex-Diaper-Bag-Backpack-Multi-Function/dp/B07SMFH2CZ> (Year: 2020).*

Pianist Diaper Bag Backpack, available at amazon.ae, earliest customer review date Mar. 30, 2021 [online], site visited Apr. 13, 2022, available from the internet URL: <https://www.amazon.ae/PIANIST-Backpack-Capacity-Multi-Function-Waterproof/dp/B089CW3JCK?th=1> (Year: 2021).*

Ibell Large Multi-Functional Diaper Bag Backpack, available at amazon.com, earliest customer review date Nov. 5, 2020 [online], site visited Apr. 13, 2022, available from the internet URL: <https://www.etsy.com/listing/872943632/ibell-large-multi-functional-diaper-bag?> (Year: 2020).*

* cited by examiner



FIG. 1



FIG. 2

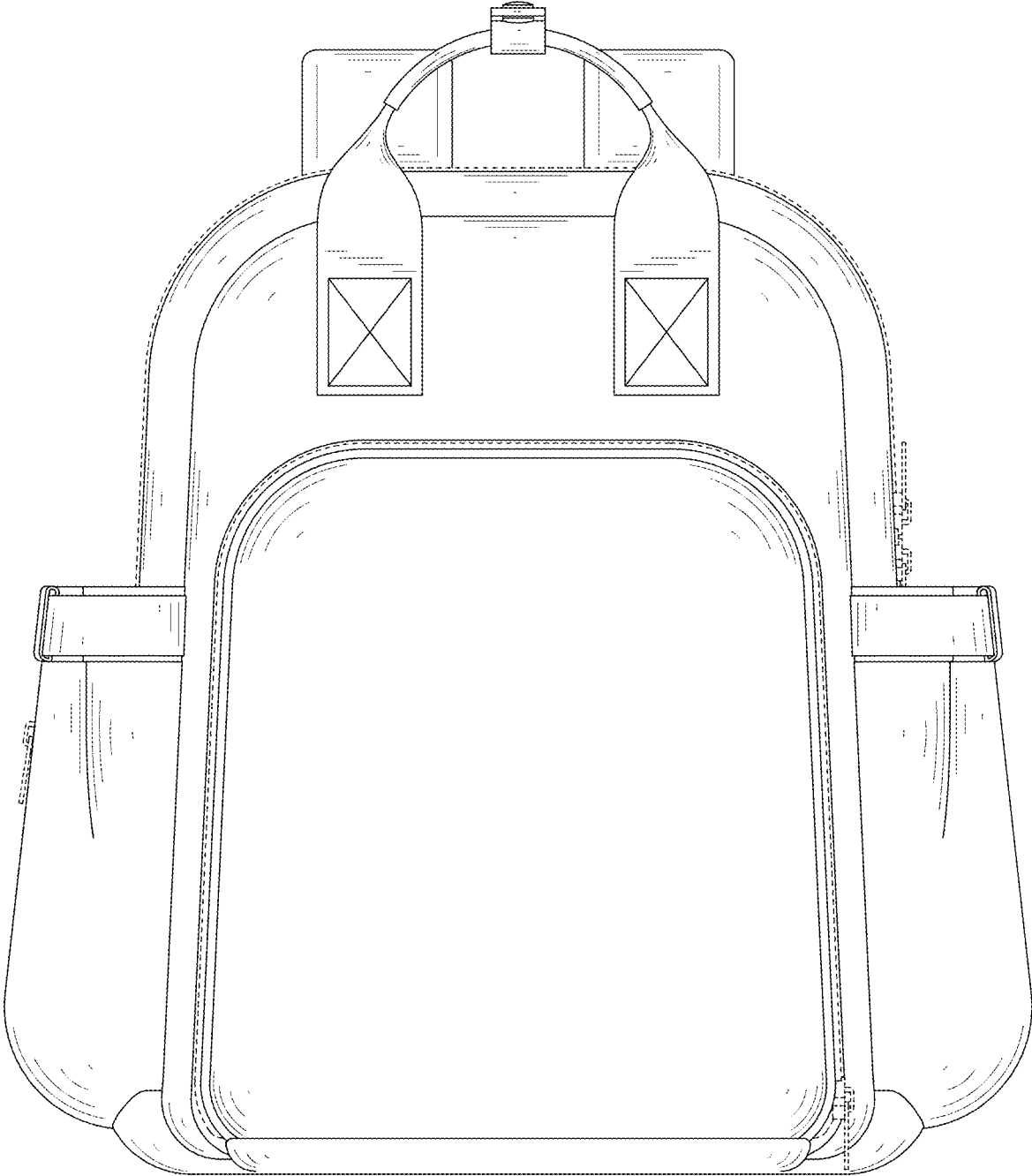


FIG. 3

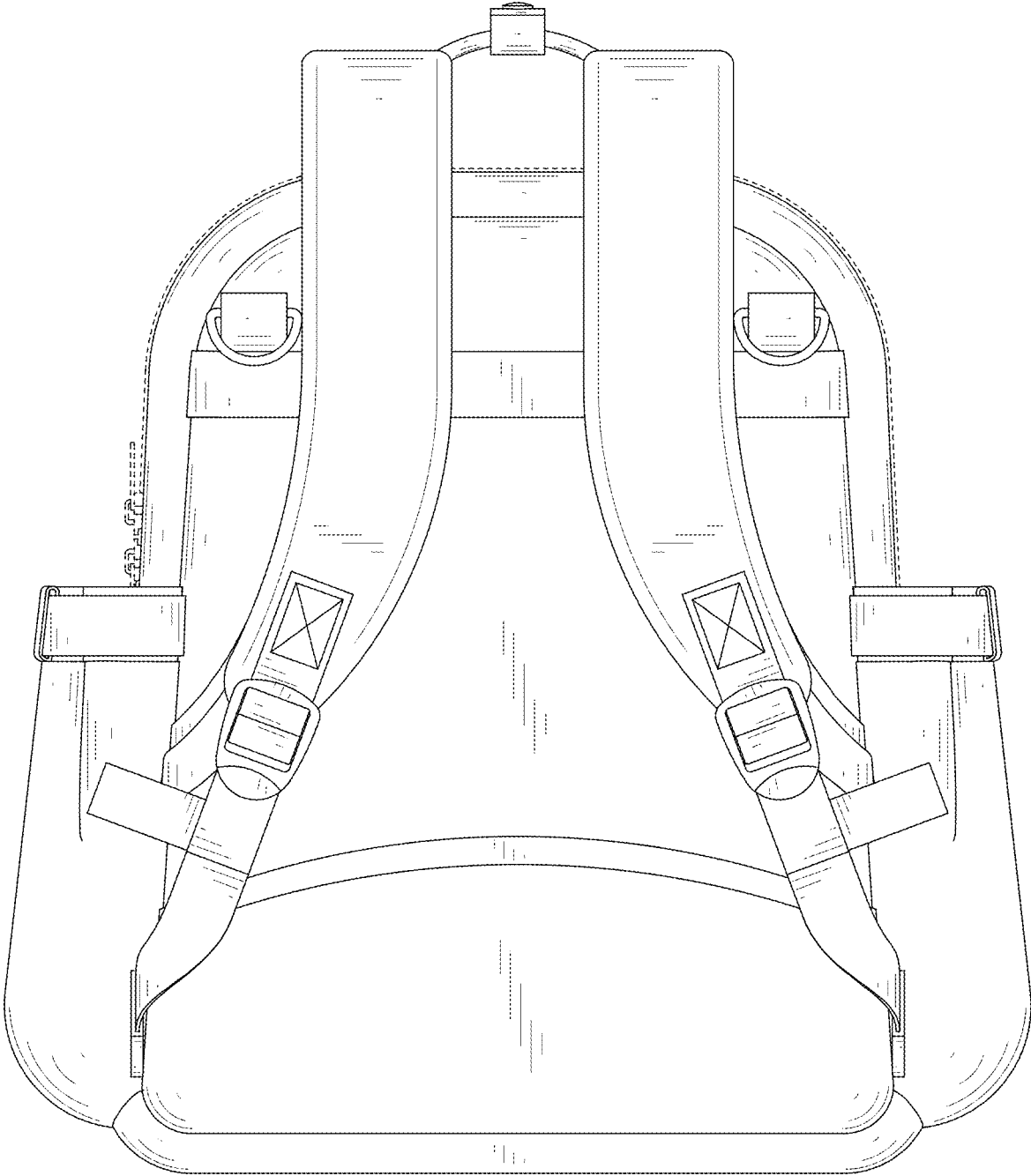


FIG. 4

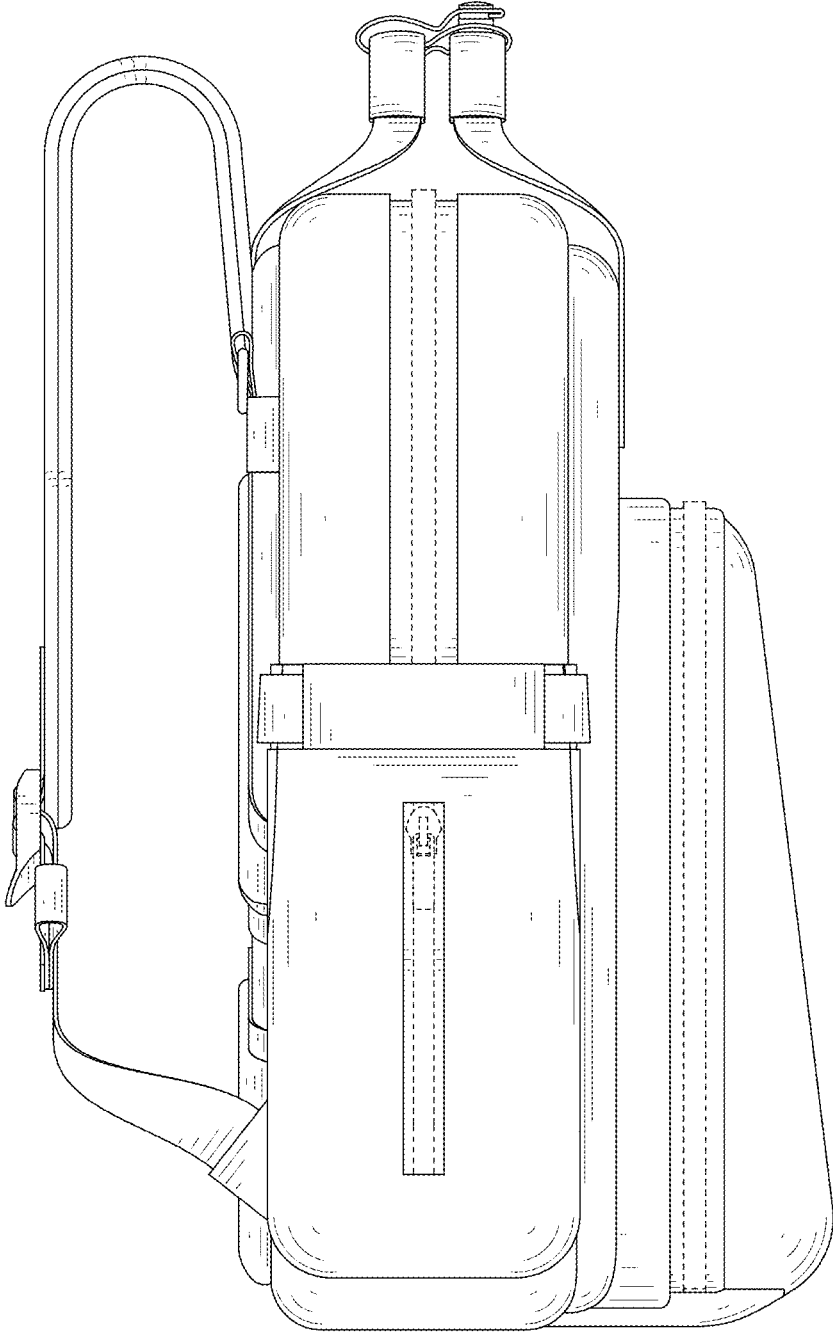


FIG. 5

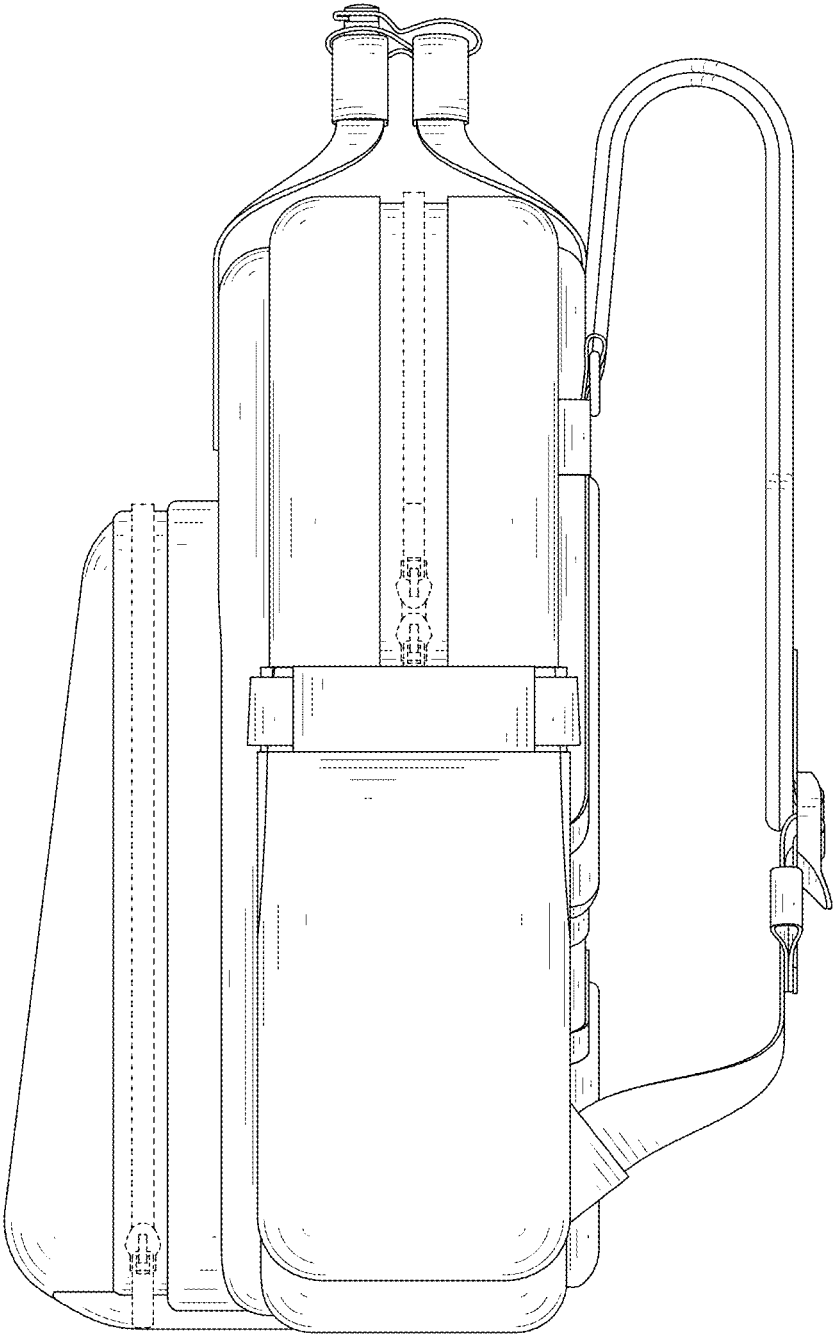


FIG. 6

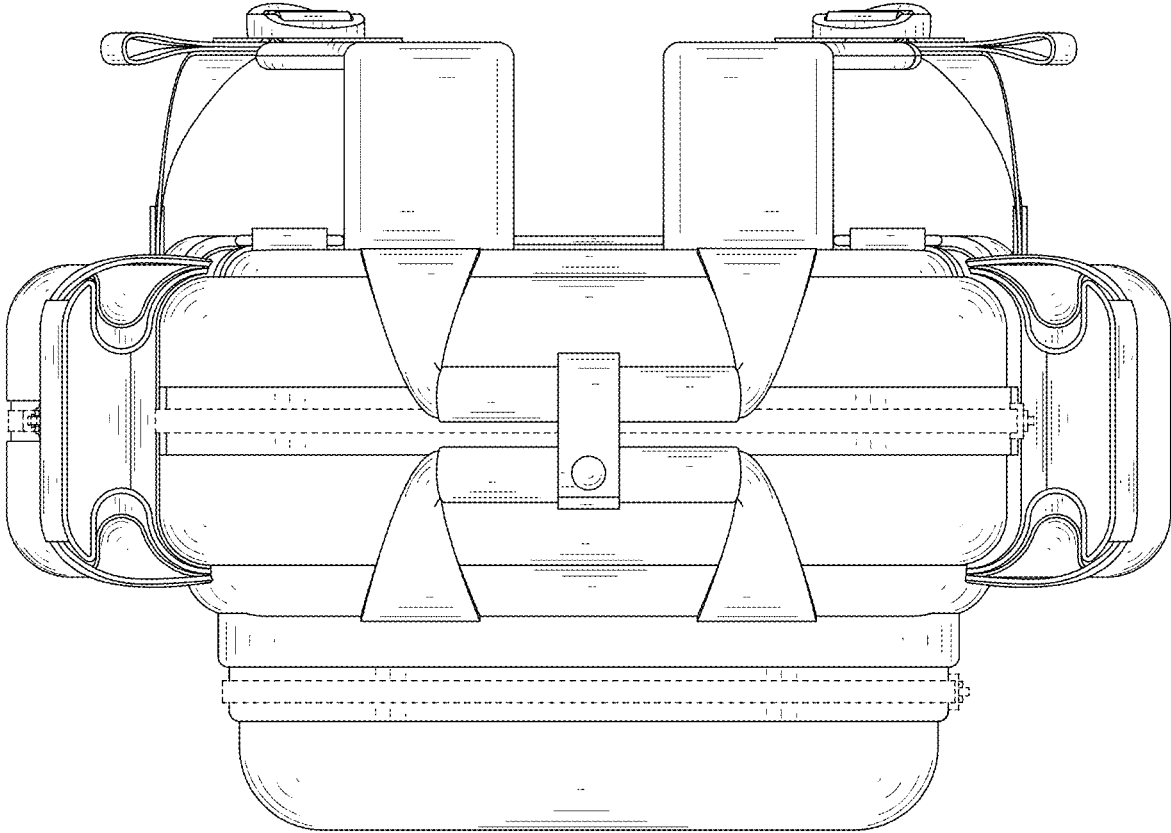


FIG. 7

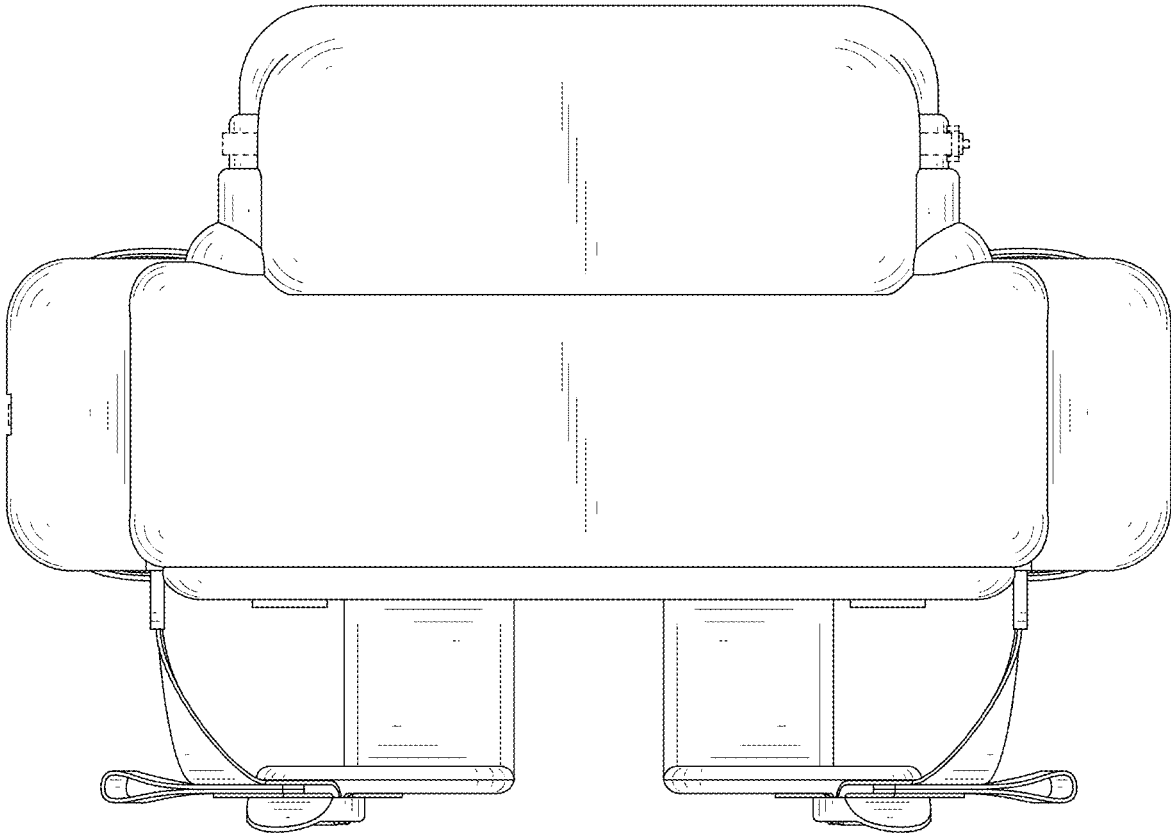


FIG. 8

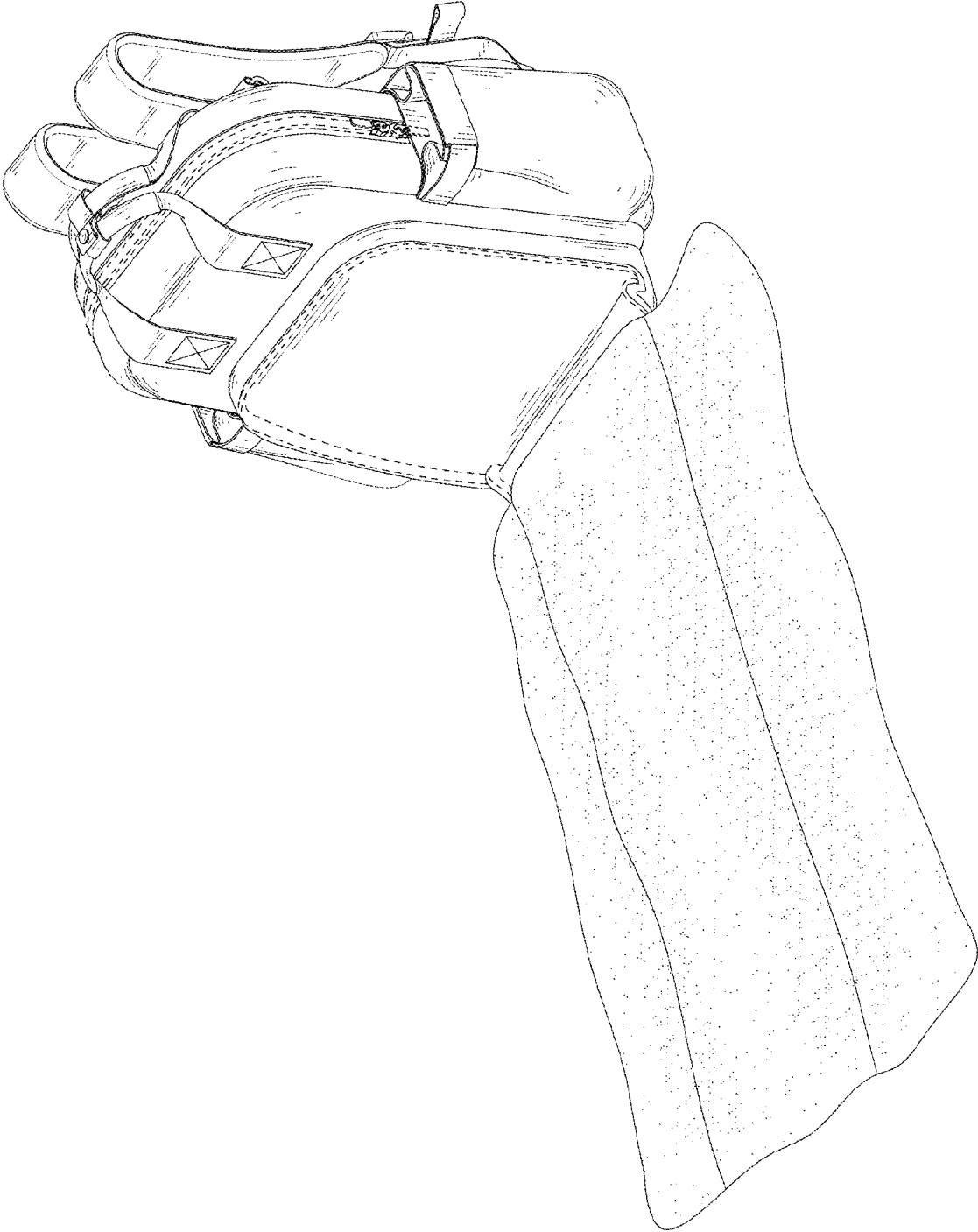


FIG. 9

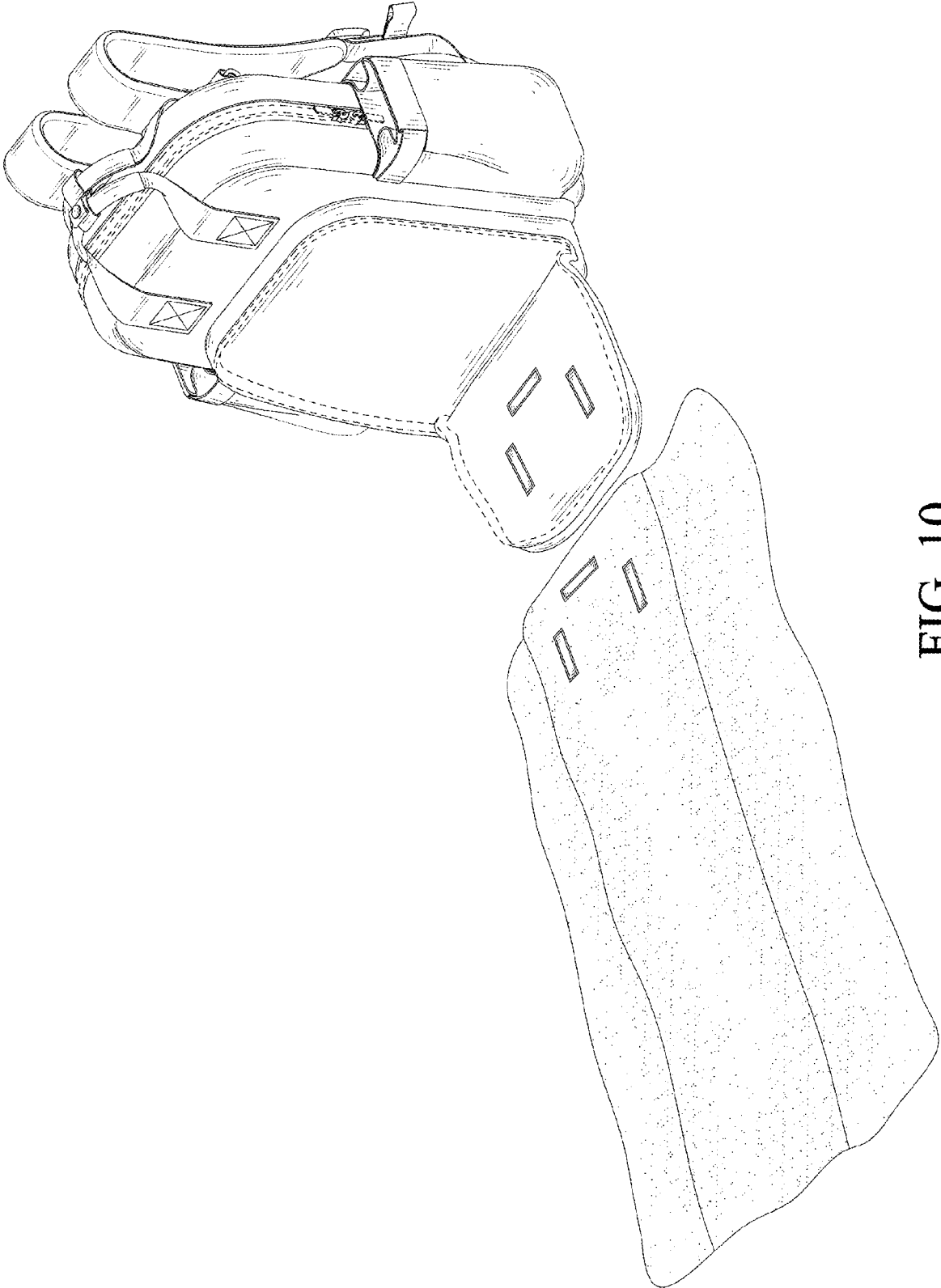


FIG. 10