



US00D568194S

(12) **United States Design Patent**
Vojinovic et al.

(10) **Patent No.:** **US D568,194 S**

(45) **Date of Patent:** **** May 6, 2008**

(54) **NOTIFICATION DEVICES**

(75) Inventors: **Bojana Vojinovic**, Elmhurst, IL (US);
Jeffrey M. Klein, Chicago, IL (US)

(73) Assignee: **Honeywell International, Inc.**,
Morristown, NJ (US)

(**) Term: **14 Years**

(21) Appl. No.: **29/250,952**

(22) Filed: **Dec. 7, 2006**

Related U.S. Application Data

(63) Continuation-in-part of application No. 11/535,760,
filed on Sep. 27, 2006.

(51) **LOC (8) Cl.** **10-05**

(52) **U.S. Cl.** **D10/116; D10/104; D10/109**

(58) **Field of Classification Search** D10/104,
D10/106, 109, 114, 116; 340/815, 432, 908.1,
340/815.03, 760, 761, 867, 782, 471, 473,
340/815.4, 815.73

See application file for complete search history.

(56) **References Cited**

U.S. PATENT DOCUMENTS

- D151,627 S * 11/1948 Kress D10/106
- D258,353 S * 2/1981 Mango et al. D10/106
- D260,008 S * 7/1981 Wistrand D10/106
- D315,112 S * 3/1991 Andrews et al. D10/104
- D315,694 S * 3/1991 Thorp et al. D10/114
- D374,635 S * 10/1996 Hur et al. D10/106
- 5,805,071 A * 9/1998 Hur 340/693.9
- 6,133,843 A * 10/2000 Davidson 340/693.9
- D442,104 S * 5/2001 Costa et al. D10/106
- 6,271,763 B1 * 8/2001 Hur 340/693.12

- 6,522,261 B2 * 2/2003 Scheffler et al. 340/815.73
- D513,199 S * 12/2005 Costa et al. D10/106
- 7,006,003 B2 * 2/2006 Zimmerman et al. 340/815.4
- 2002/0075473 A1 * 6/2002 Davidson et al. 356/4.01
- 2004/0056773 A1 * 3/2004 Zimmerman et al. 340/815.4

* cited by examiner

Primary Examiner—Robert M. Spear

Assistant Examiner—George D Kirschbaum

(74) *Attorney, Agent, or Firm*—Welsh & Katz, Ltd.

(57) **CLAIM**

The ornamental design for notification devices, as shown and described.

DESCRIPTION

FIG. 1 is a perspective view from the front of a first embodiment of a notification device showing our new design;

FIG. 2 is a front elevational view thereof;

FIG. 3 is a right side elevational view of one side thereof;

FIG. 4 is a left side elevational view thereof;

FIG. 5 is a top plan view thereof;

FIG. 6 is a bottom plan view thereof;

FIG. 7 is a perspective view is a second embodiment showing our new design;

FIG. 8 is a front elevational view thereof;

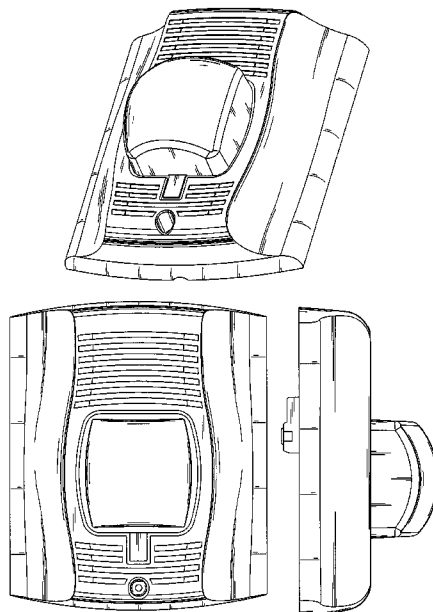
FIG. 9 is a side elevational view thereof;

FIG. 10 is an elevational view thereof;

FIG. 11 is a top plan view thereof; and,

FIG. 12 is a bottom plan view thereof.

1 Claim, 8 Drawing Sheets



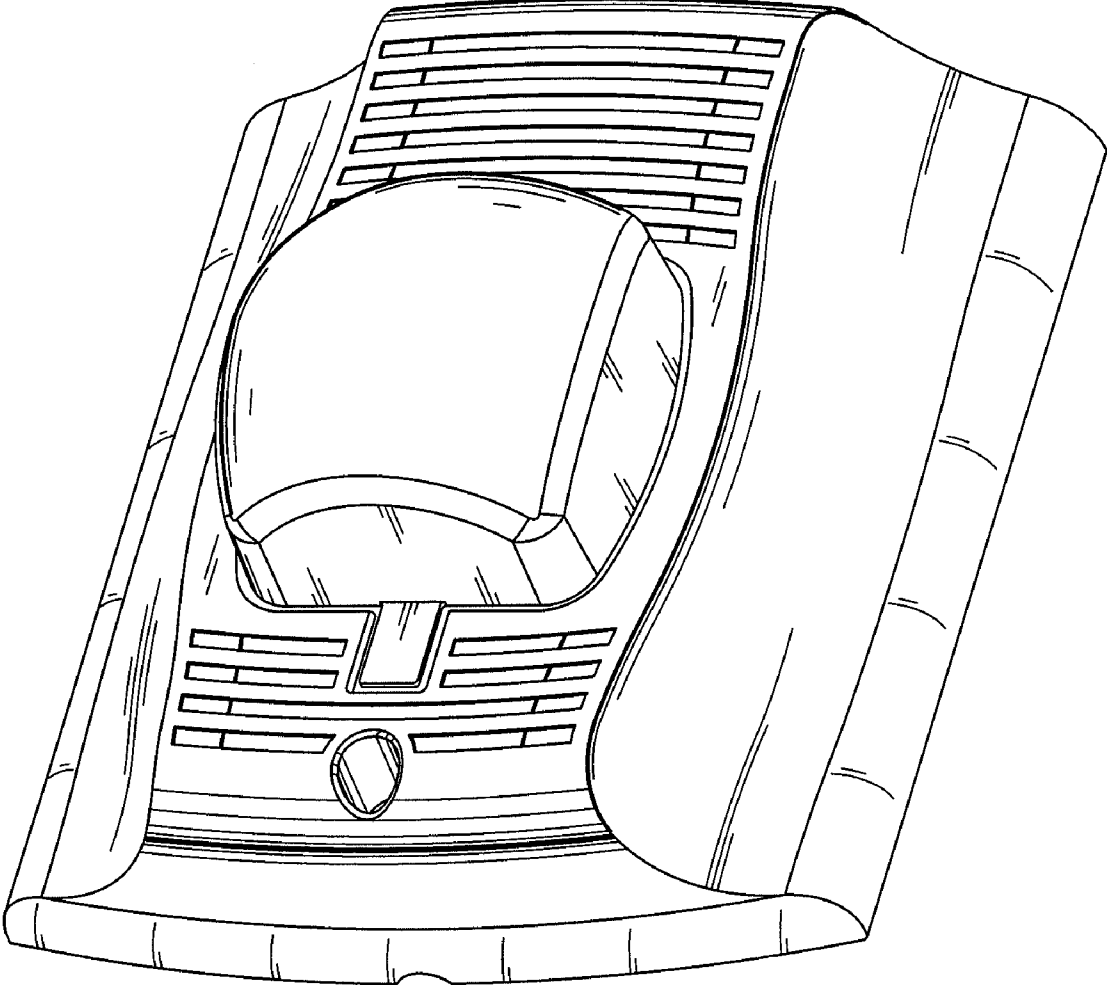


FIG. 1

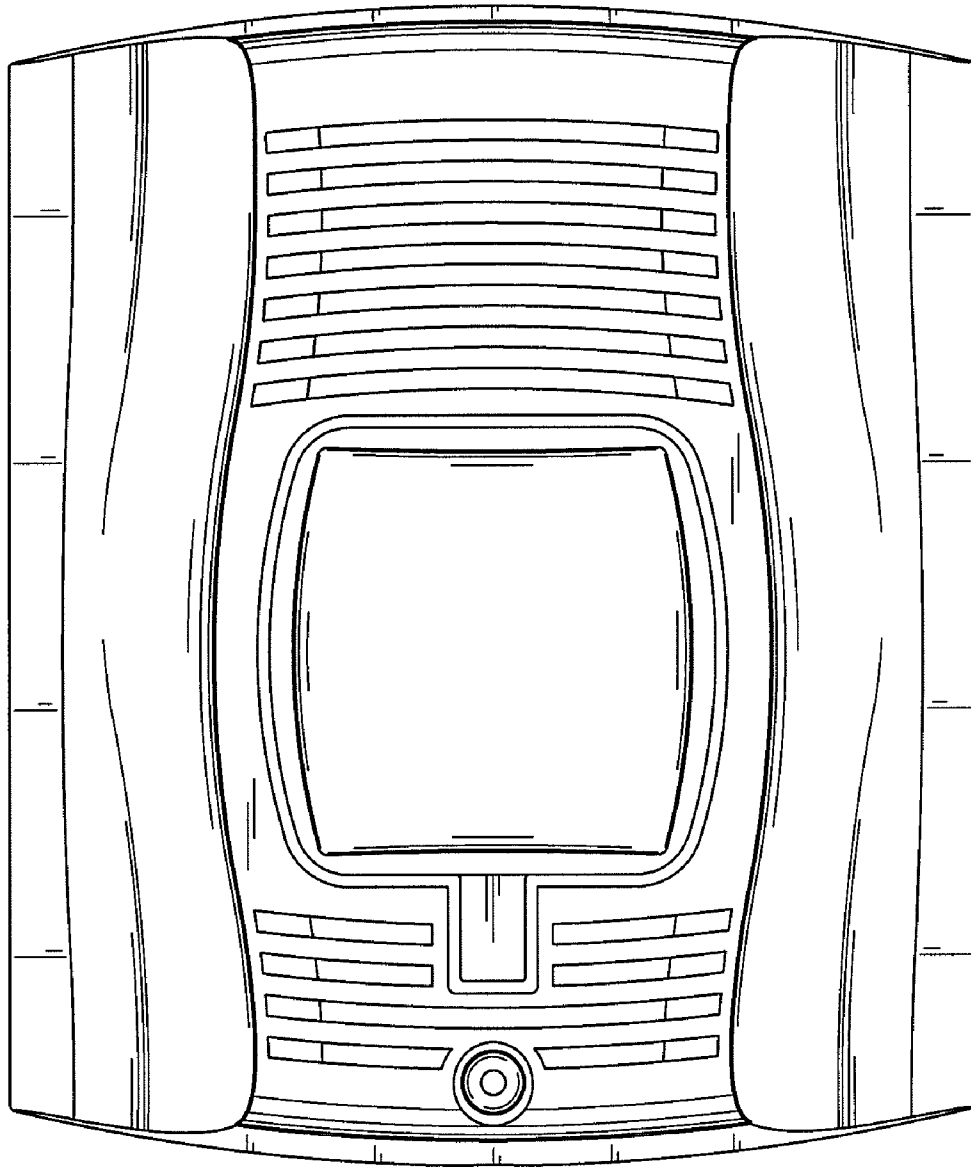


FIG. 2

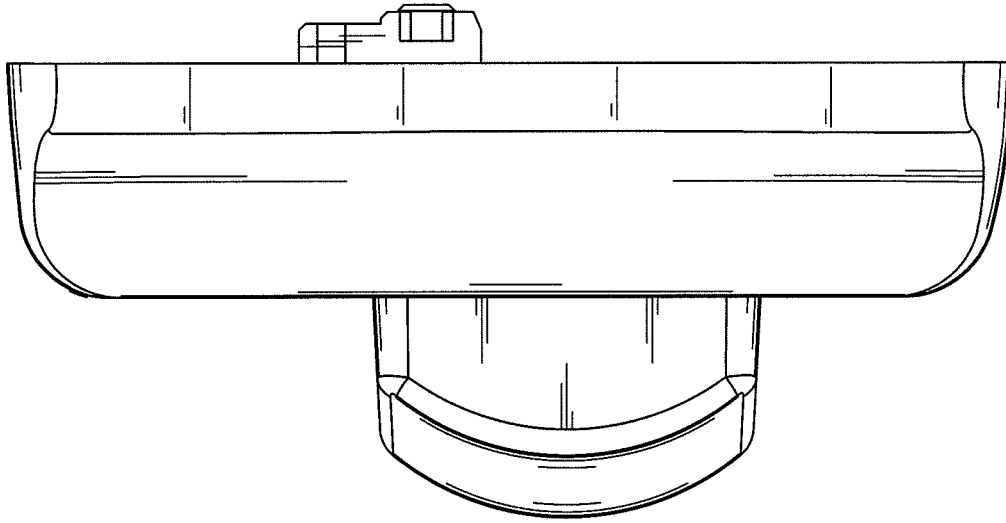


FIG. 4

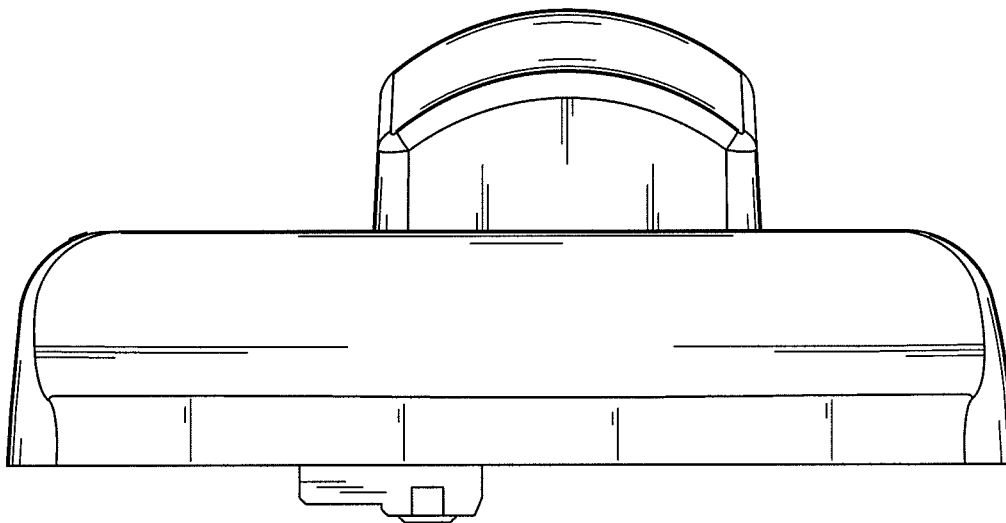


FIG. 3

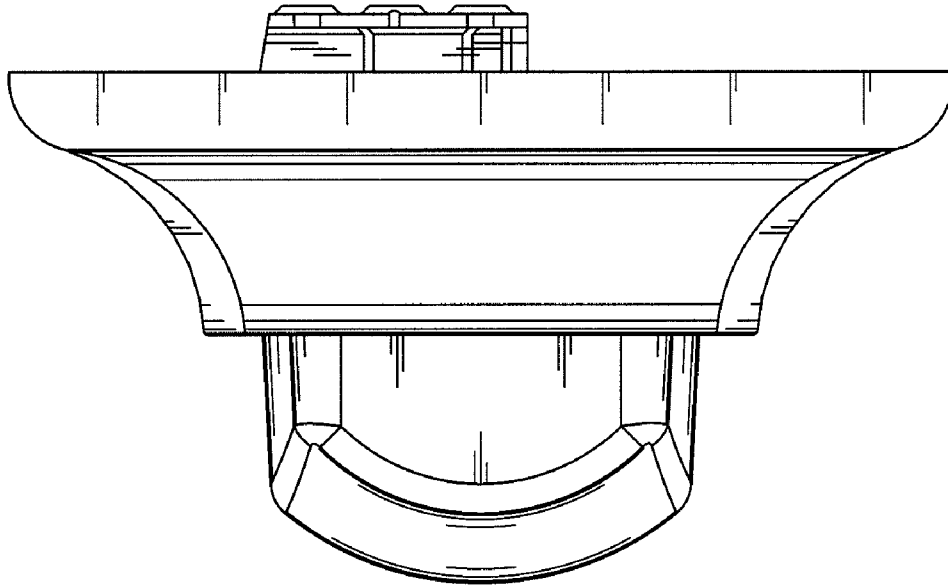


FIG. 5

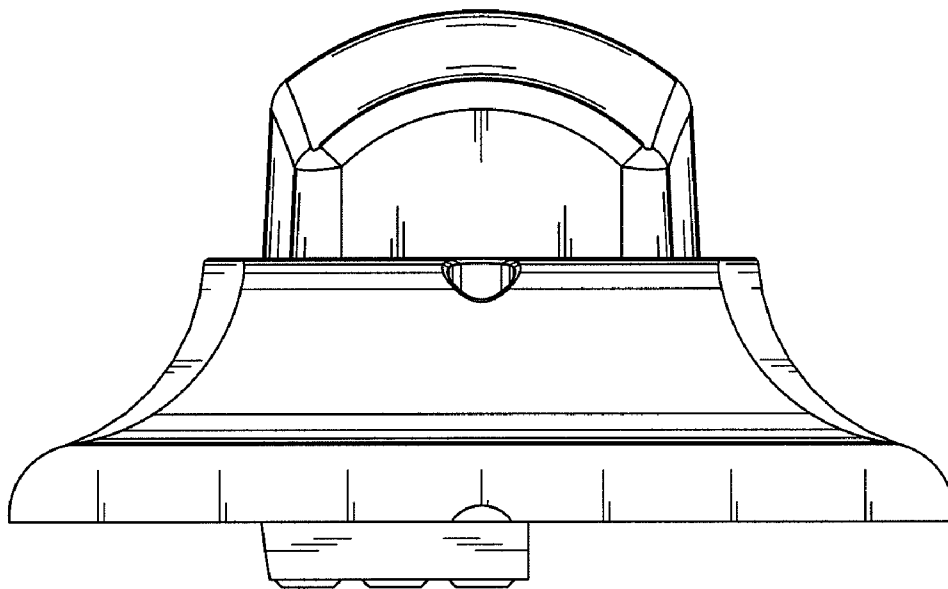


FIG. 6

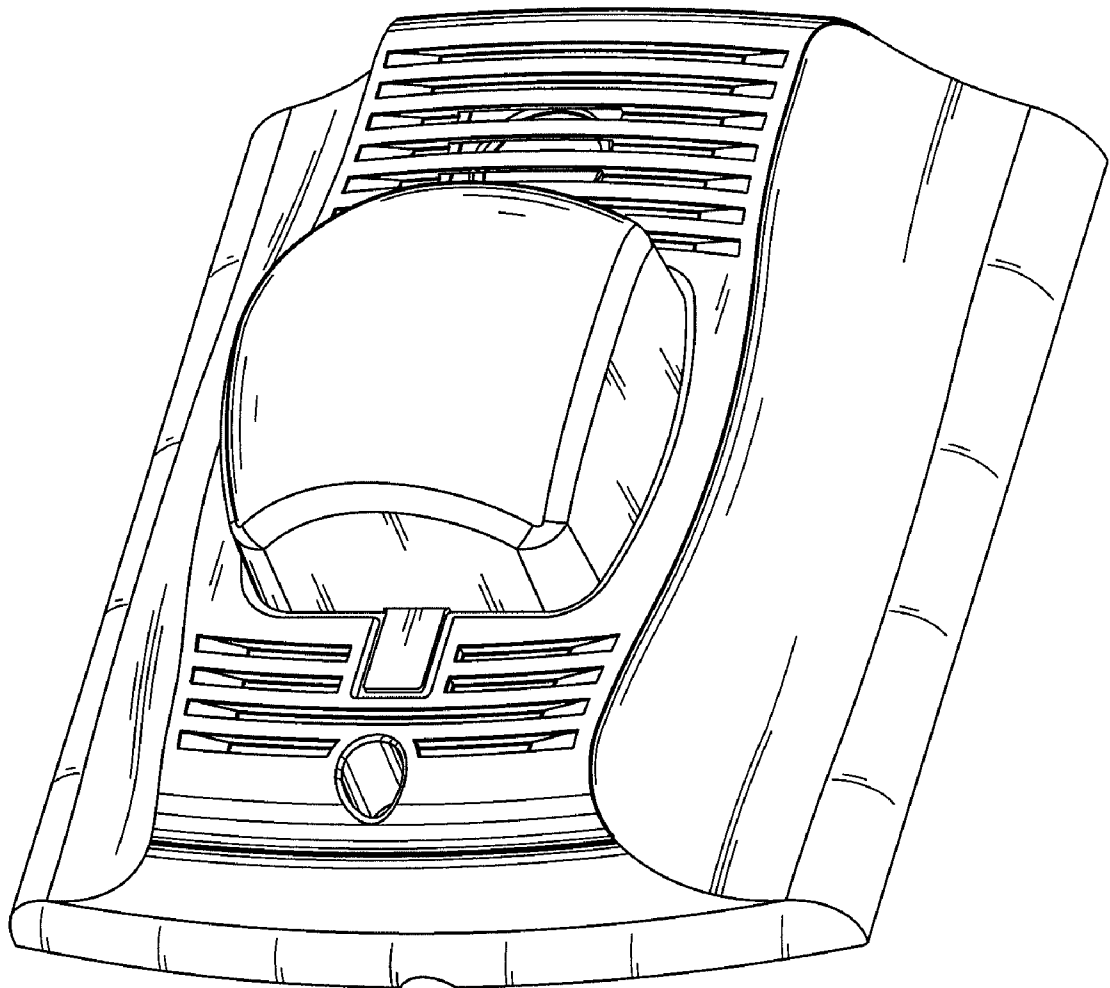


FIG. 7

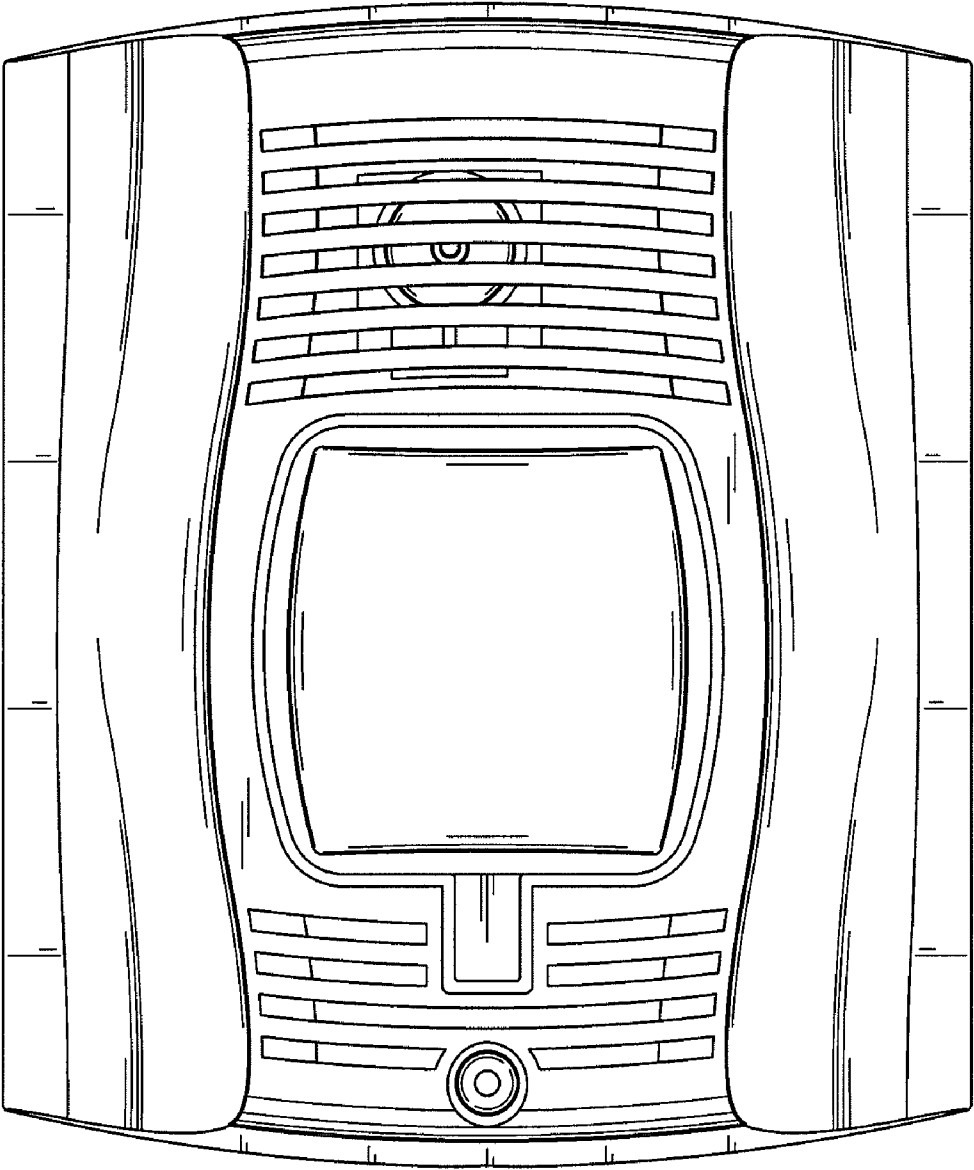


FIG. 8

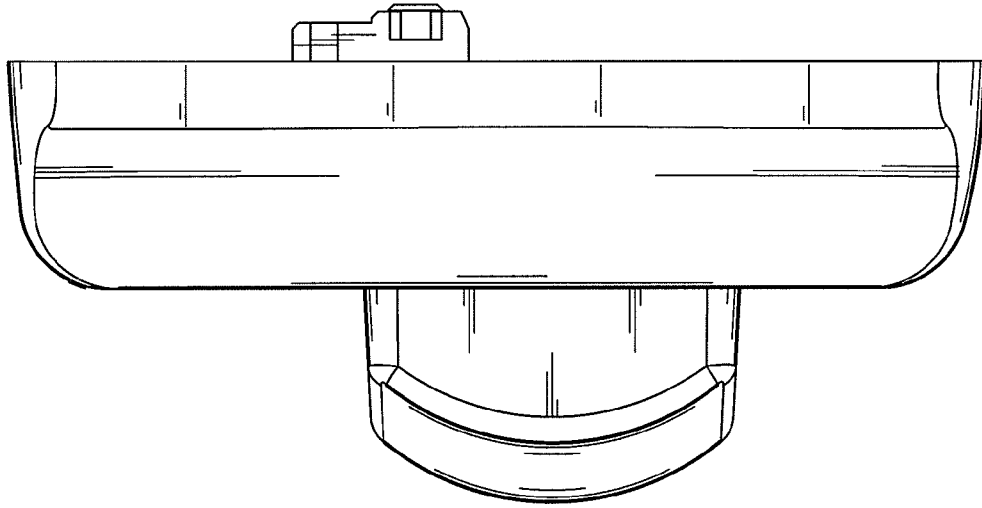


FIG. 10

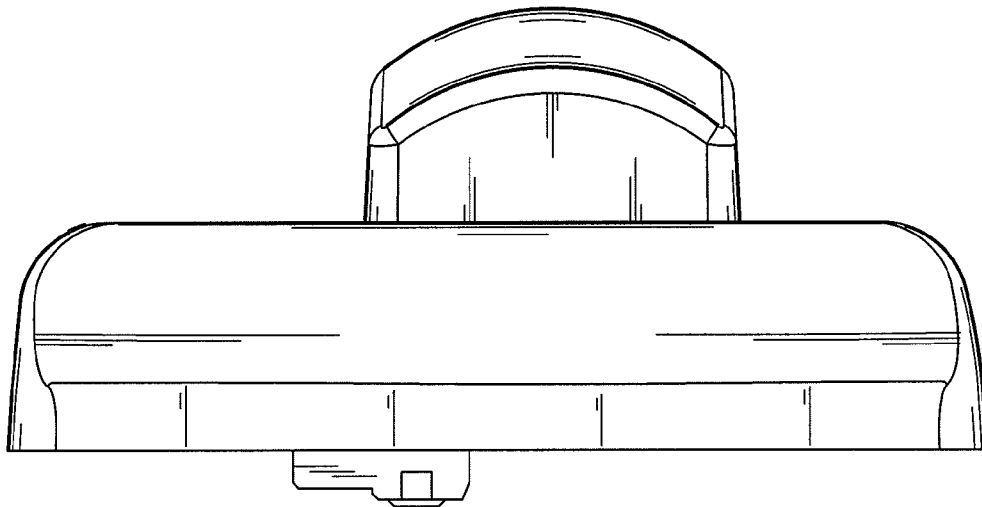


FIG. 9

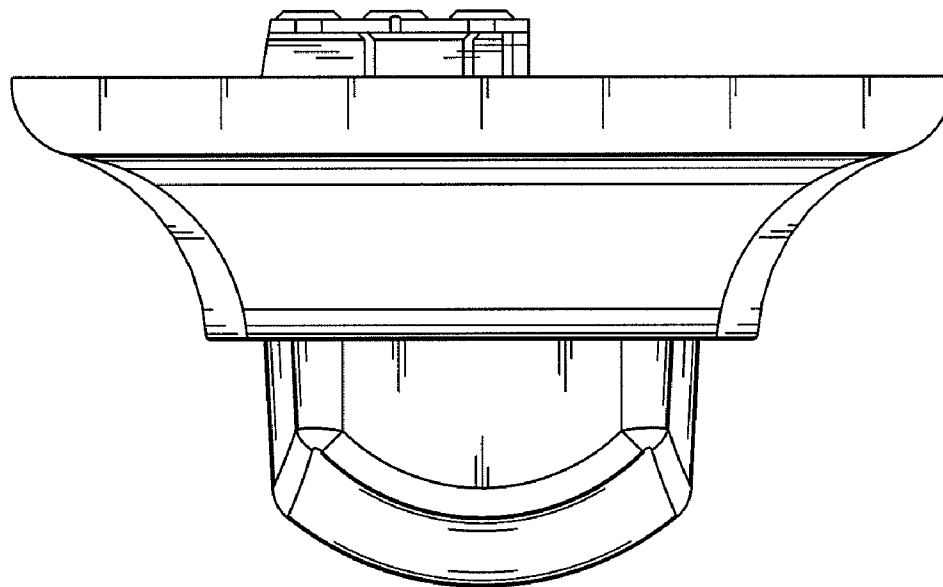


FIG. 11

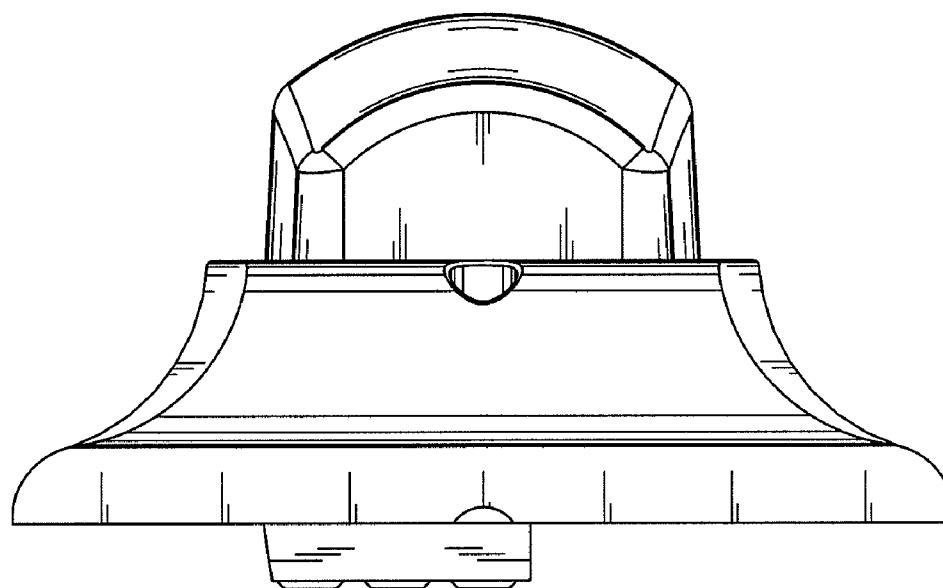


FIG. 12