



US00D861477S

(12) **United States Design Patent**
Smith et al.

(10) **Patent No.:** **US D861,477 S**

(45) **Date of Patent:** **** Oct. 1, 2019**

- (54) **CONTAINER**
- (71) Applicant: **REYNOLDS CONSUMER PRODUCTS LLC**, Lake Forest, IL (US)
- (72) Inventors: **Amy Frances Smith**, Chicago, IL (US); **Yashpal Rajendra Kamire**, Vernon Hills, IL (US); **Katherine A. Reiser**, Mount Prospect, IL (US); **José L. Padilla**, Chicago, IL (US); **Neema Pourian**, Chicago, IL (US)
- (73) Assignee: **REYNOLDS CONSUMER PRODUCTS LLC**, Lake Forest, IL (US)

2,507,404 A * 5/1950 Gluck B65D 83/0882
225/20

2,522,253 A * 9/1950 Broeren B65D 83/0882
225/43

D269,934 S * 8/1983 Hawkins D7/590

D271,000 S * 10/1983 Rimer D9/420

4,651,911 A * 3/1987 Kirkup B65D 83/0841
225/20

4,787,542 A * 11/1988 Ruff B65H 35/002
225/1

D341,499 S * 11/1993 Home D12/425

D402,512 S * 12/1998 Lee D7/600.1

D421,691 S * 3/2000 Hoblitz D6/522

D572,904 S * 7/2008 Beckerman D3/304

8,528,801 B2 * 9/2013 Tanaka B65D 83/0841
225/39

D745,392 S * 12/2015 Solovov, Jr. D9/433

9,221,646 B1 * 12/2015 Amara B65H 35/002

(**) Term: **15 Years**

(21) Appl. No.: **29/619,809**

(22) Filed: **Oct. 2, 2017**

(51) **LOC (12) Cl.** **09-03**

(52) **U.S. Cl.** **D9/420**

(58) **Field of Classification Search**

USPC D9/414-419, 423, 426, 430, 432, 721,
D9/730, 734, 737; D3/290, 294, 304,
D3/305, 315; D7/600.1, 601

CPC ... B65D 5/00; B65D 5/02; B65D 5/18; B65D
5/20; B65D 5/66; B65D 5/325; B65D
5/6644; B65D 5/6647; B65D 83/00;
B65D 83/08; B65D 83/005; B65D
83/0083; B65D 83/0841; B65D 83/0882;
B65D 43/16; B65D 43/162; B26D 1/045

See application file for complete search history.

(56) **References Cited**

U.S. PATENT DOCUMENTS

1,599,238 A * 9/1926 Hurlbut B65D 83/0882
225/50

D108,605 S * 2/1938 Nagle D9/433

(Continued)

Primary Examiner — Wan Laymon
Assistant Examiner — Clint A Samuel
(74) *Attorney, Agent, or Firm* — Baker Botts L.L.P.

(57) **CLAIM**

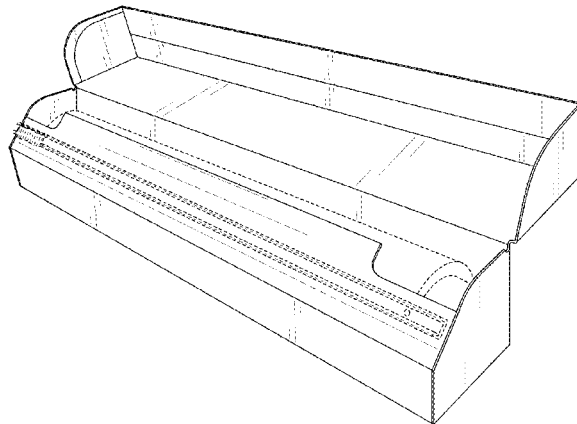
The ornamental design for a container, as shown and described.

DESCRIPTION

FIG. 1 is a perspective view of our design for a container in an open condition;
FIG. 2 is a front view thereof;
FIG. 3 is a left side view thereof;
FIG. 4 is a right side view thereof;
FIG. 5 is a back view thereof;
FIG. 6 is a top view thereof; and,
FIG. 7 is a bottom view thereof.

The broken lines shown throughout these figures depict environmental subject matter only and form no part of the claimed design.

1 Claim, 7 Drawing Sheets



(56)

References Cited

U.S. PATENT DOCUMENTS

D815,522 S * 4/2018 Vegliante D9/432
10,017,616 B2 * 7/2018 Ueda B65D 83/0882
D830,722 S * 10/2018 Klipshtein D6/518
D842,095 S * 3/2019 Hajek D9/431
2003/0164392 A1 * 9/2003 Gerulski B26F 3/02
225/1
2004/0089691 A1 * 5/2004 Gerulski B26F 3/02
225/93
2005/0035133 A1 * 2/2005 Gerulski B26D 1/045
221/31
2005/0166738 A1 * 8/2005 Hsu B26D 7/015
83/614
2007/0074986 A1 * 4/2007 King B65D 83/0841
206/397
2010/0320250 A1 * 12/2010 Hideoka B26F 3/02
225/91
2011/0209594 A1 * 9/2011 Withers B65D 83/0882
83/614
2014/0263527 A1 * 9/2014 Mukohara B65D 25/20
225/43
2015/0060318 A1 * 3/2015 Lee B65D 83/0882
206/389
2016/0355647 A1 * 12/2016 Ueda B65D 83/0882
2018/0037362 A9 * 2/2018 Matsumura B65D 25/52
2018/0141742 A1 * 5/2018 Vegliante B65D 5/16
2018/0141743 A1 * 5/2018 Vegliante B65D 5/16
2018/0305164 A1 * 10/2018 Smith B26D 1/045
2018/0370679 A1 * 12/2018 Shimizu B65D 85/672

* cited by examiner

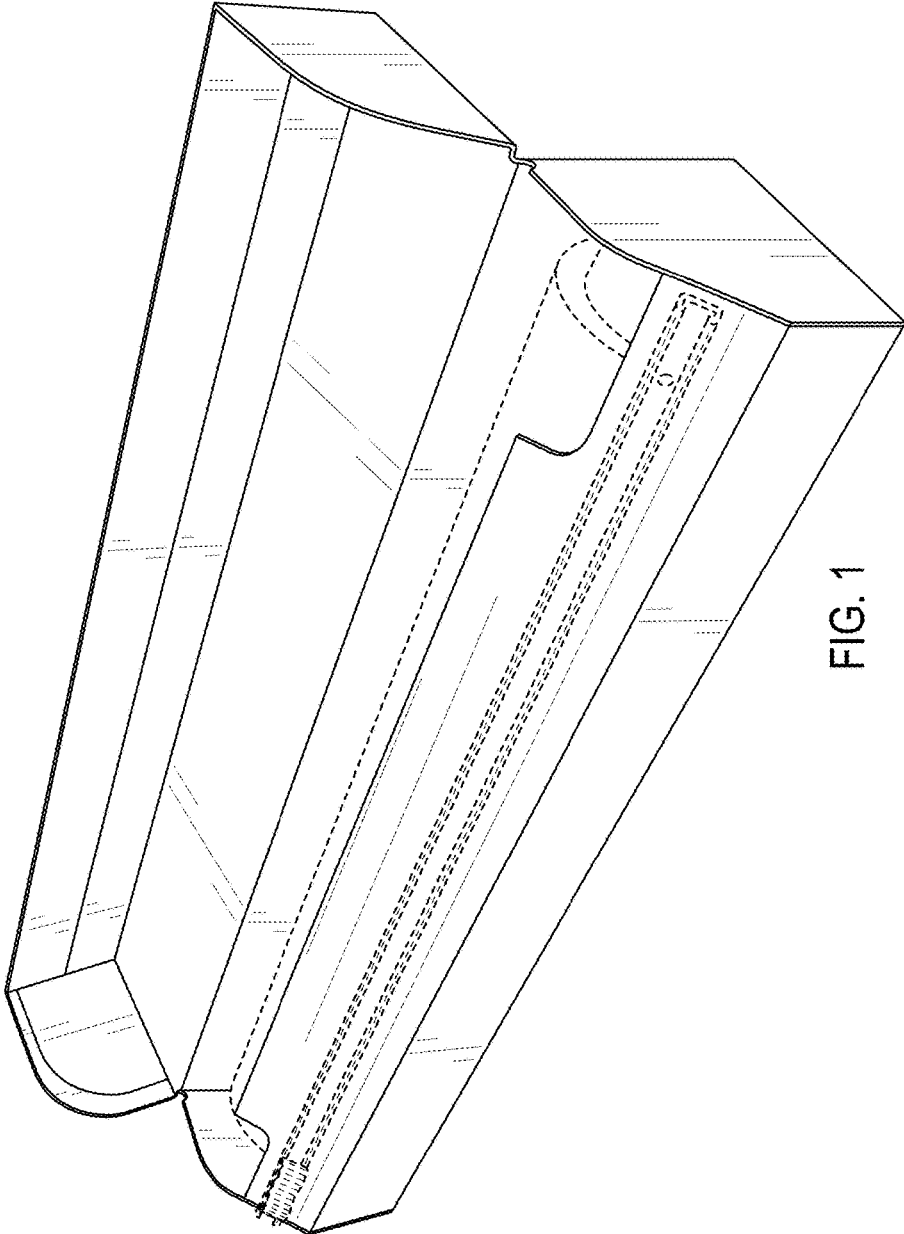


FIG. 1

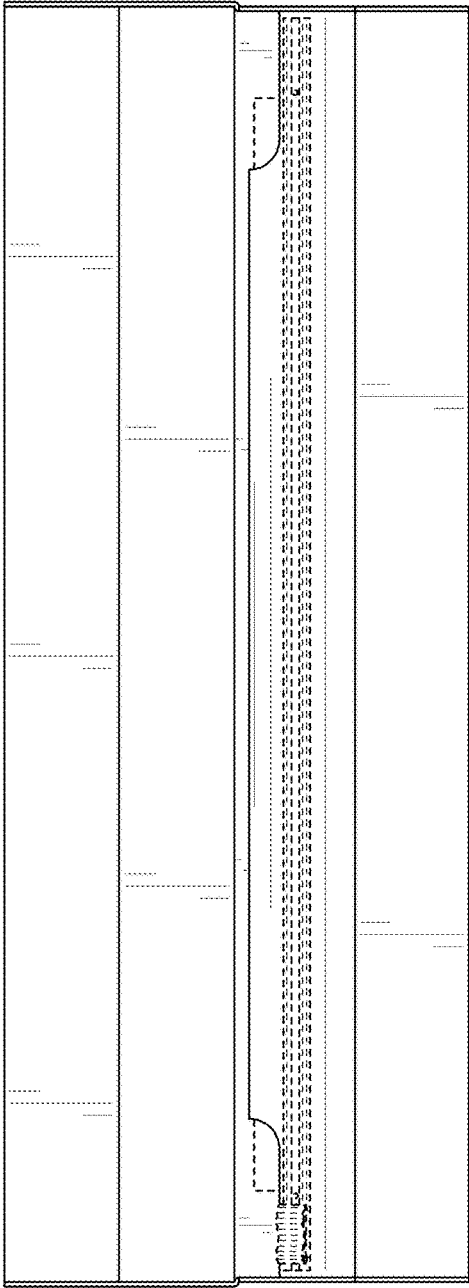


FIG. 2

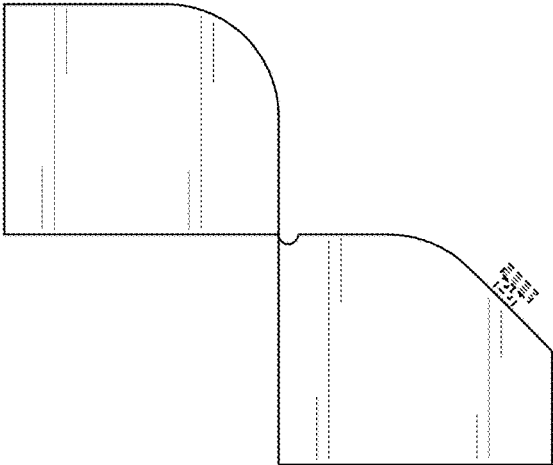


FIG. 3

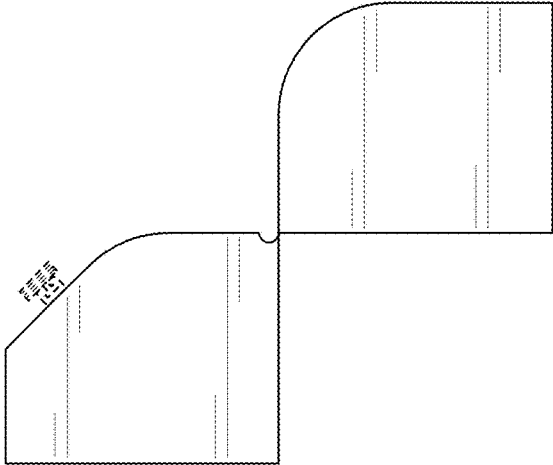


FIG. 4

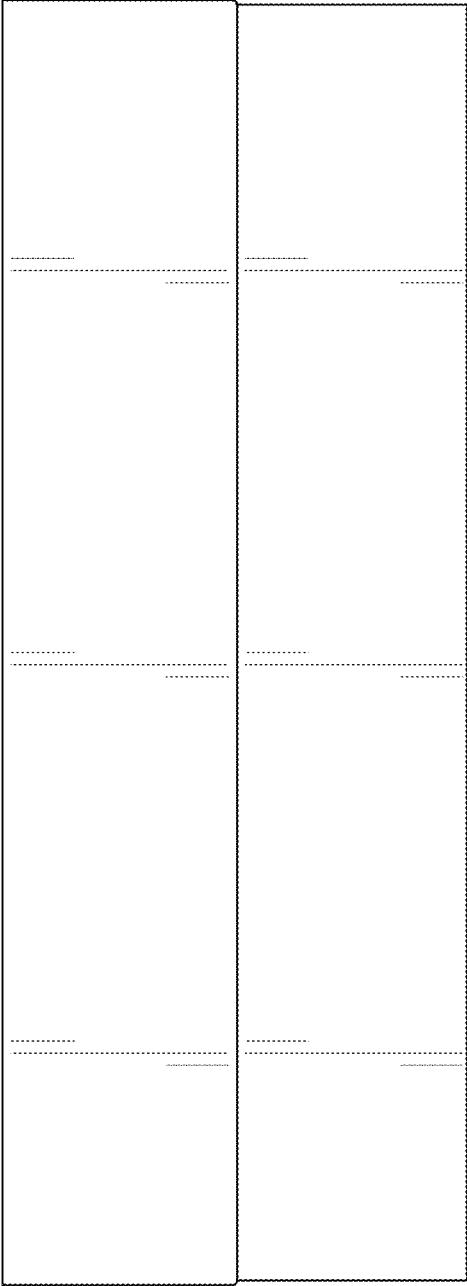


FIG. 5

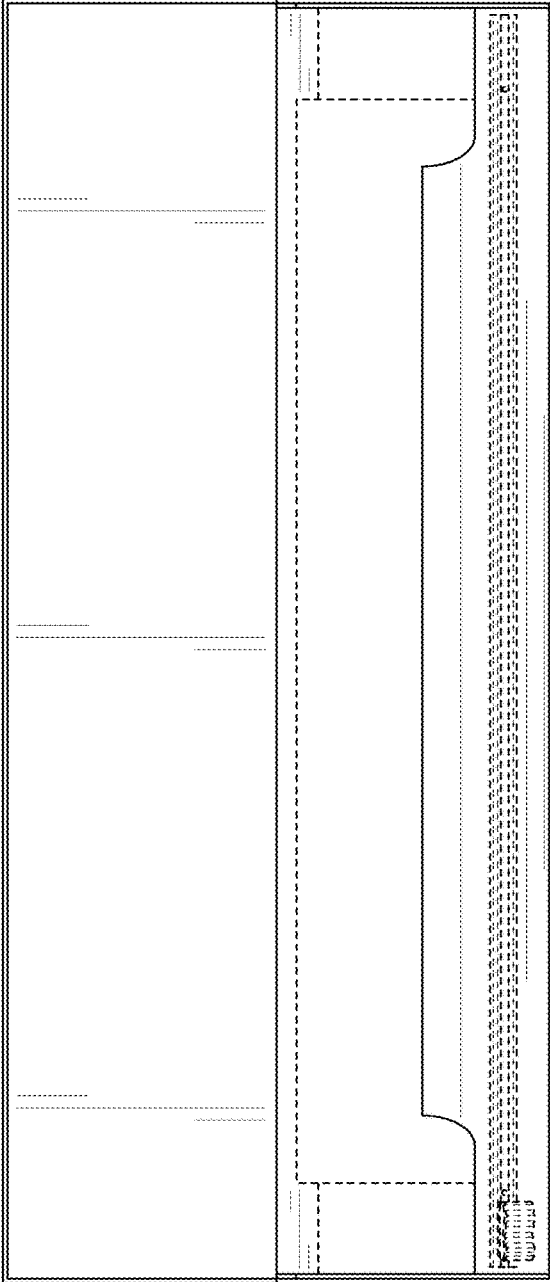


FIG. 6

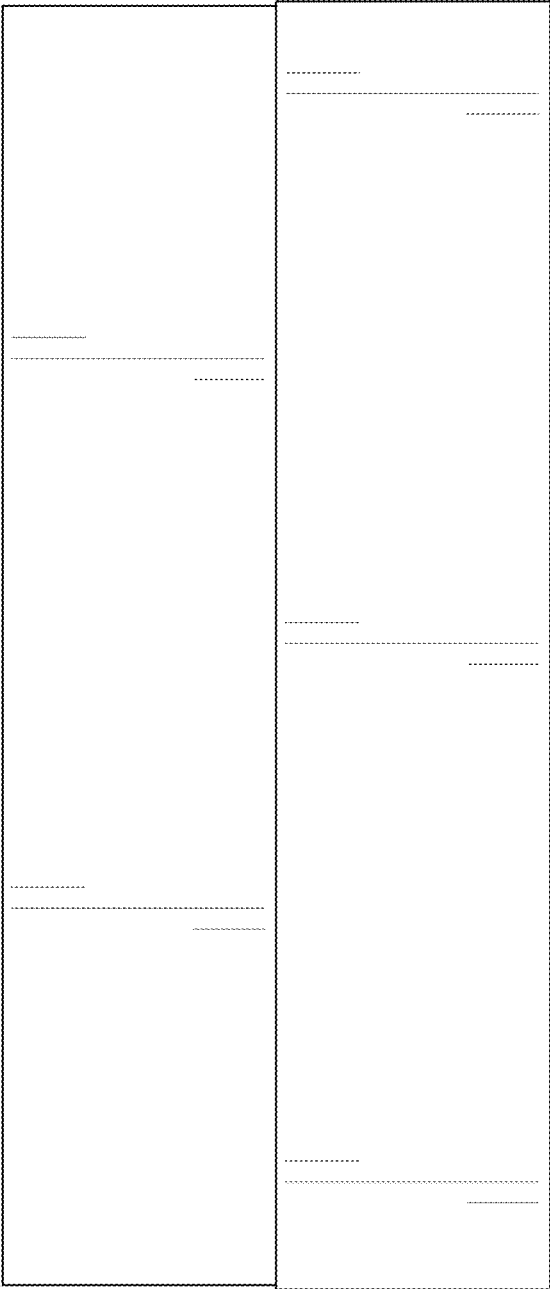


FIG. 7