



US00D812620S

(12) **United States Design Patent**
Cheng

(10) **Patent No.:** **US D812,620 S**

(45) **Date of Patent:** **** Mar. 13, 2018**

(54) **COMPUTER CASE**

(71) Applicant: **Ganhua Cheng**, Anqing (CN)

(72) Inventor: **Ganhua Cheng**, Anqing (CN)

(**) Term: **15 Years**

(21) Appl. No.: **29/579,135**

(22) Filed: **Sep. 28, 2016**

(30) **Foreign Application Priority Data**

Jun. 15, 2016 (CN) 2016 3 0241715

(51) **LOC (11) Cl.** **14-02**

(52) **U.S. Cl.**
USPC **D14/440**

(58) **Field of Classification Search**
USPC D14/440, 250, 447, 426, 330; 206/45.23,
206/320, 45.2; 361/679.55; 294/25
CPC G06F 1/1628; G06F 1/1626; G06F 1/669;
A47B 23/044; H04B 1/3888
See application file for complete search history.

(56) **References Cited**

U.S. PATENT DOCUMENTS

6,016,248	A *	1/2000	Anzai	G06F 1/1626 248/463
8,173,893	B2 *	5/2012	Huang	A45C 11/00 136/251
8,797,132	B2 *	8/2014	Childs	A45C 11/00 206/320
D718,316	S *	11/2014	Veltz	D14/440
D748,636	S *	2/2016	Zadvinskis	D14/440
D763,853	S *	8/2016	Pearce	D14/440
D763,856	S *	8/2016	Moore	D14/440
D790,550	S *	6/2017	Chen	D14/440

D803,221	S *	11/2017	Guo	D14/440
D803,222	S *	11/2017	Cheng	D14/440
2010/0110629	A1 *	5/2010	Dietz	A45C 11/00 361/679.55
2011/0285258	A1 *	11/2011	Yuan	G06F 1/1626 312/223.2
2012/0153116	A1 *	6/2012	Harrison	A47B 23/044 248/460
2013/0242490	A1 *	9/2013	Ku	G06F 1/1626 361/679.3
2013/0270980	A1 *	10/2013	Hsu	H05K 5/03 312/223.1

* cited by examiner

Primary Examiner — Cynthia Underwood

(74) *Attorney, Agent, or Firm* — Kenja IP Law PC

(57) **CLAIM**

The ornamental design for a computer case, as shown and described.

DESCRIPTION

FIG. 1 is a front perspective view of a computer case showing my new design;
FIG. 2 is a rear perspective view thereof;
FIG. 3 is a front view thereof;
FIG. 4 is a rear view thereof;
FIG. 5 is a top plan view thereof;
FIG. 6 is a bottom view thereof;
FIG. 7 is a right side view thereof;
FIG. 8 is a left side view thereof;
FIG. 9 is a front perspective view thereof, in which the computer case is in an open position; and,
FIG. 10 is a rear perspective view thereof, in which the computer case is in an open position.

1 Claim, 10 Drawing Sheets

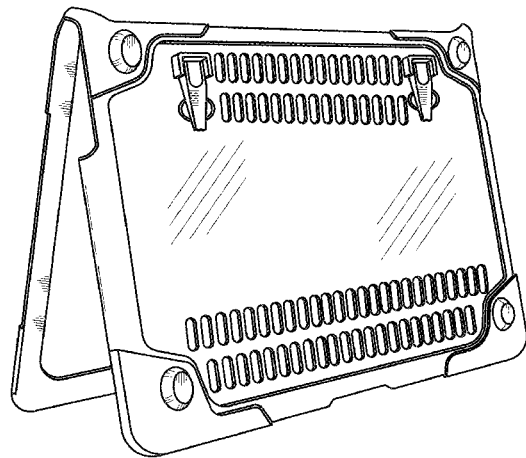
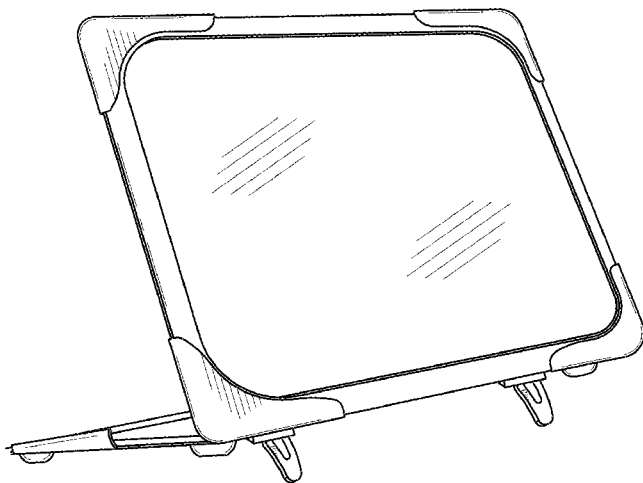


FIG. 1

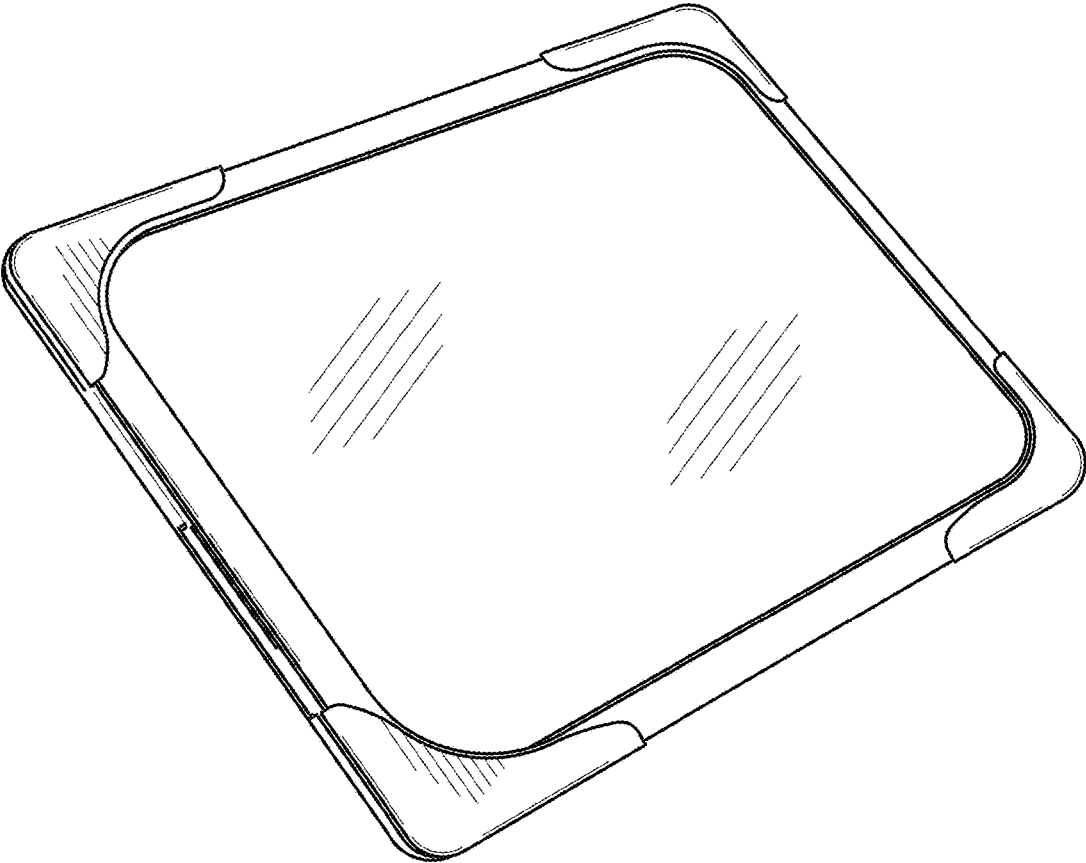


FIG. 2

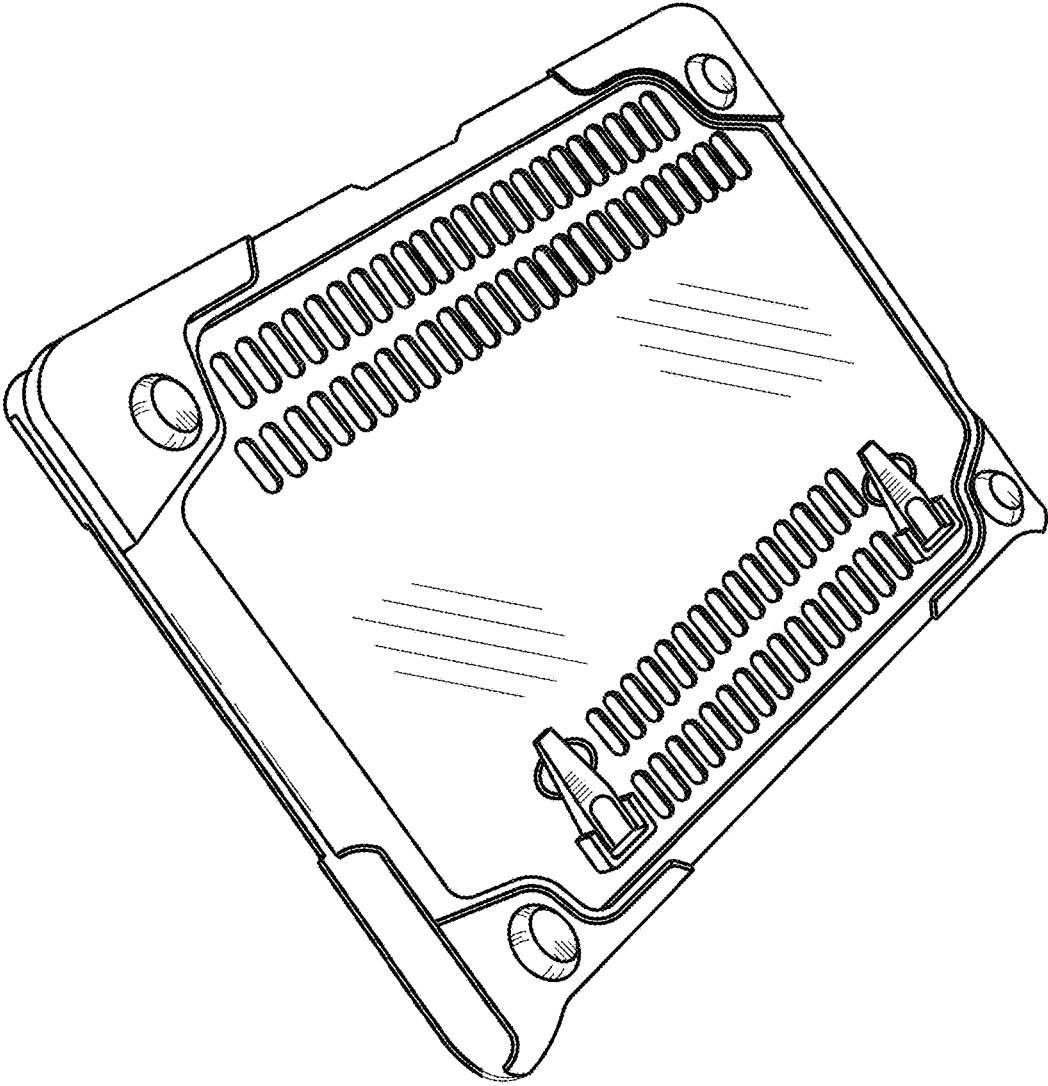


FIG. 3

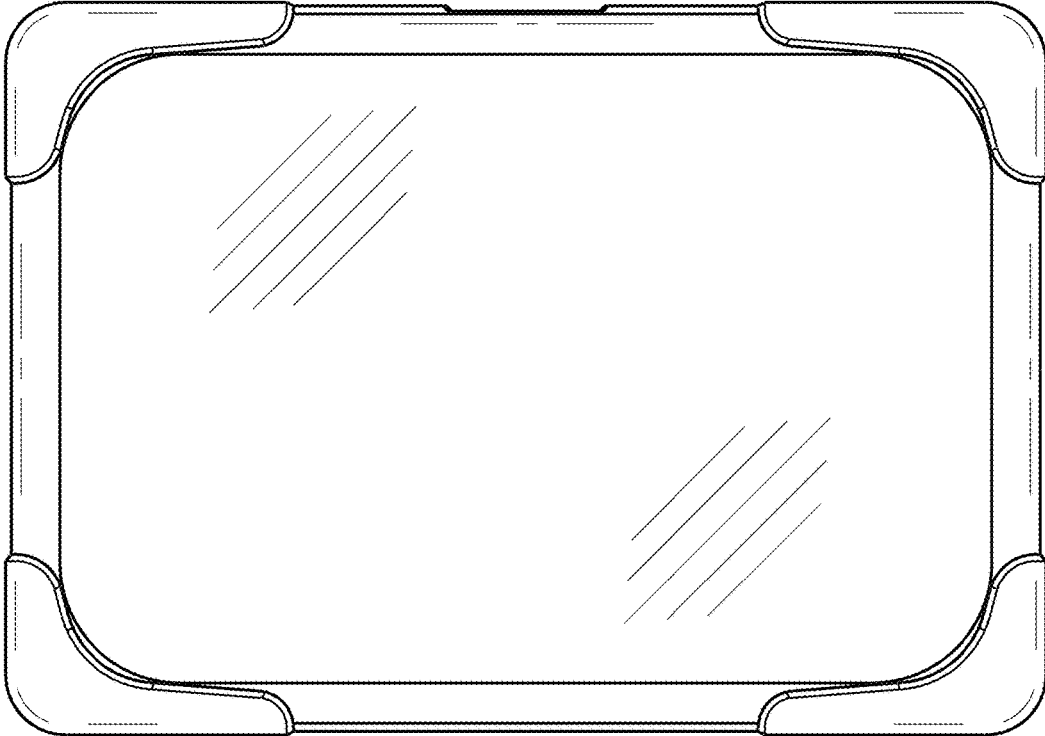


FIG. 4

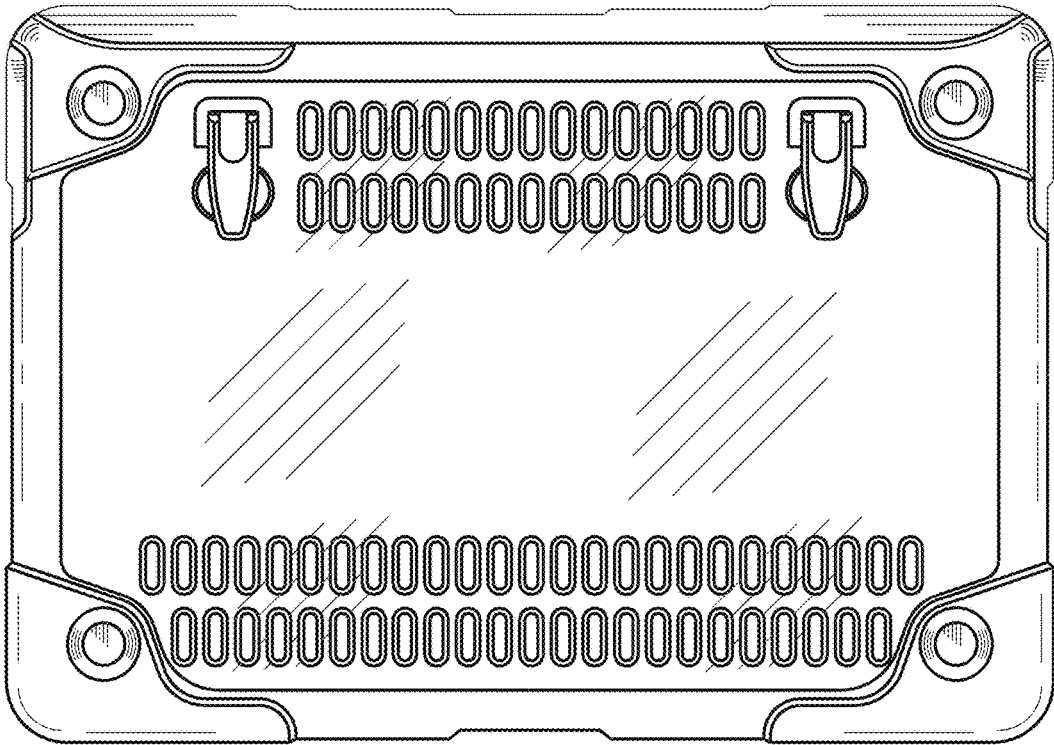


FIG. 5

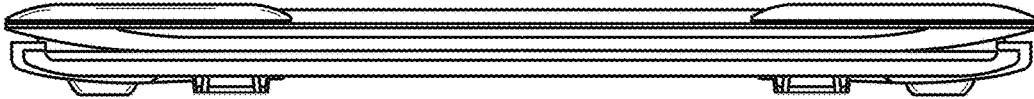


FIG. 6

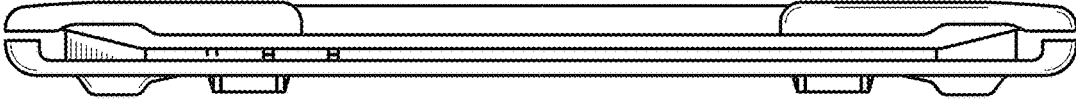


FIG. 7

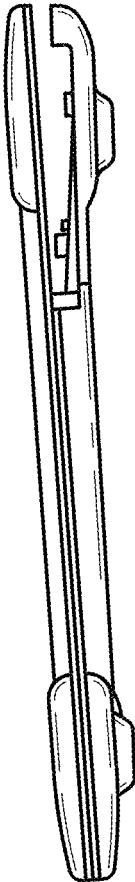


FIG. 8

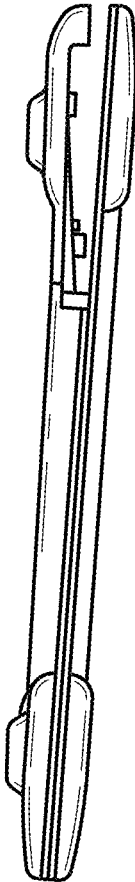


FIG. 9

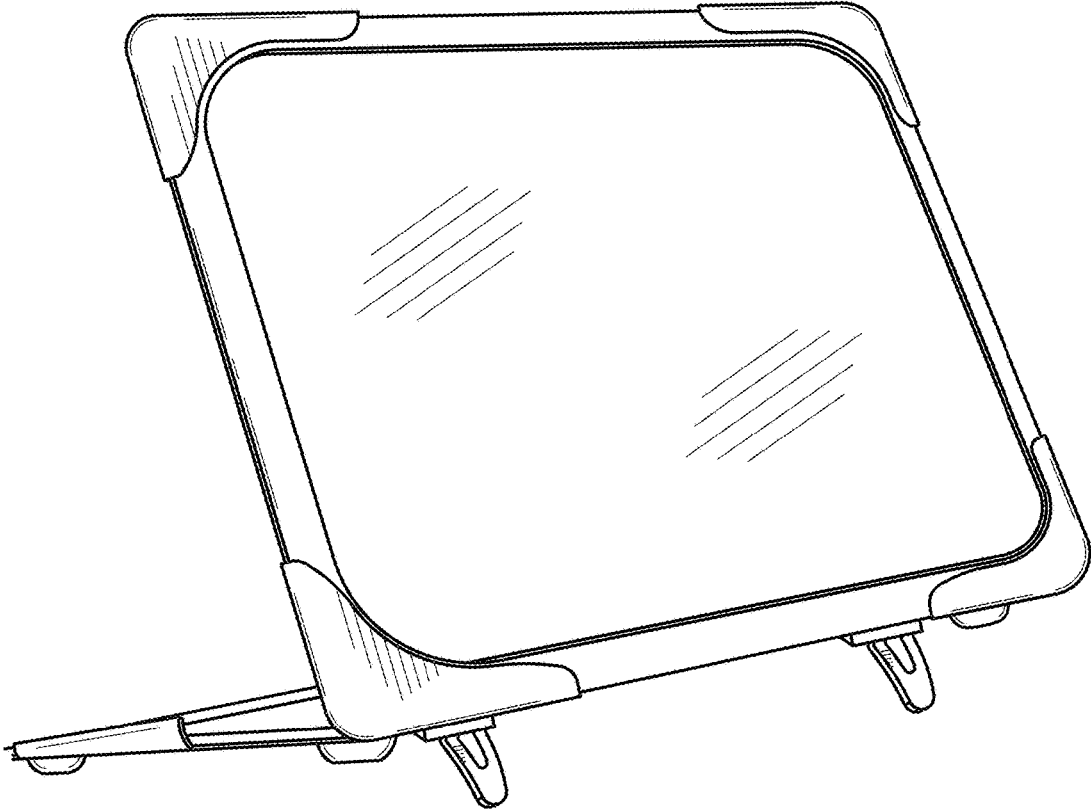


FIG. 10

