



(12) **United States Design Patent**  
**Ma et al.**

(10) **Patent No.:** **US D1,006,863 S**  
(45) **Date of Patent:** **\*\* Dec. 5, 2023**

(54) **STABILIZED CAMERA DEVICE**

FOREIGN PATENT DOCUMENTS

(71) Applicant: **ARASHI VISION INC.**, Shenzhen  
(CN)

CN 304130905 \* 5/2017  
CN 305014686 \* 1/2019

(Continued)

(72) Inventors: **Limin Ma**, Guangdong (CN); **Jingkang Liu**, Guangdong (CN); **Fei Gao**, Guangdong (CN)

OTHER PUBLICATIONS

(73) Assignee: **ARASHI VISION INC.**, Shenzhen  
(CN)

PC Mag Insta360 Link is an AI Powered 4k Webcam, by Matthew Humphries, published Aug. 2, 2022, [online], [site visited May 11, 2023]. Available via Internet, <URL:https://www.pcmag.com/news/insta360-link-is-an-ai-powered-4k-webcam-with-a-3-axis-gimbal> (Year: 2022).\*

(\*\*) Term: **15 Years**

(Continued)

(21) Appl. No.: **35/515,459**

(22) Filed: **Oct. 12, 2022**

*Primary Examiner* — Sanjeev Paul

*Assistant Examiner* — Breana Copeland

(74) *Attorney, Agent, or Firm* — PV IP PC; Wei Te Chung; Zhigang Ma

(80) **Hague Agreement Data**

Int. Filing Date: **Oct. 12, 2022**

Int. Reg. No.: **DM/224336**

Int. Reg. Date: **Oct. 12, 2022**

Int. Reg. Pub. Date: **Oct. 28, 2022**

(57) **CLAIM**

The ornamental design for a stabilized camera device, as shown and described.

(30) **Foreign Application Priority Data**

**DESCRIPTION**

Apr. 12, 2022 (CN) ..... 202230201533.1

(51) **LOC (14) Cl.** ..... **16-01**

(52) **U.S. Cl.**

USPC ..... **D16/214**

(58) **Field of Classification Search**

USPC ..... D10/104.1; D14/125, 203.8, 214, 496;

D16/200, 202, 203, 211, 242

(Continued)

1. Stabilized camera device

1.1 : Front

1.2 : Back

1.3 : Left

1.4 : Right

1.5 : Top

1.6 : Bottom

1.7 : Perspective

1.1-1.7 are drawings showing an embodiment of the stabilized camera device; the present product is used as a stabilized camera device to be fixed on a display device or placed on a desktop for implementing photographing, thus acquiring image data of the surrounding environment, and also can be used for character tracking and recognition. The broken lines form no part of the claimed design.

(56) **References Cited**

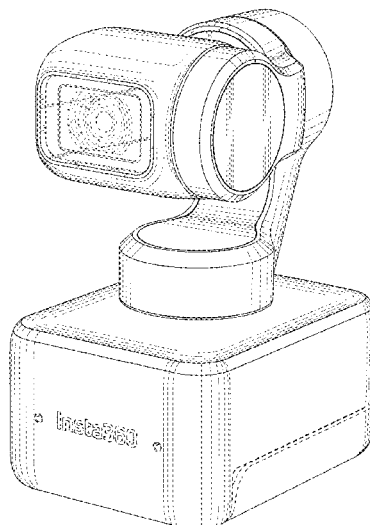
U.S. PATENT DOCUMENTS

D776,739 S \* 1/2017 Urashima ..... D16/203

D798,932 S \* 10/2017 Katori ..... D16/203

(Continued)

**1 Claim, 7 Drawing Sheets**



(58) **Field of Classification Search**

CPC ..... G03B 37/02; G03B 17/00  
 See application file for complete search history.

FOREIGN PATENT DOCUMENTS

CN	307436911	*	7/2022
CN	307876070	*	2/2023
WO	WO-D224336-001	*	10/2022

(56)

**References Cited**

U.S. PATENT DOCUMENTS

D836,699	S	*	12/2018	Kim	.....	D16/206
D867,421	S	*	11/2019	Morishita	.....	D16/202
D868,138	S	*	11/2019	Hu	.....	D16/237
D881,255	S	*	4/2020	Li	.....	D16/202
D893,575	S	*	8/2020	Kyte	.....	D16/202
D933,732	S	*	10/2021	Yamada	.....	D16/202
D944,880	S	*	3/2022	Chen	.....	D16/202
D949,226	S	*	4/2022	Liao	.....	D16/202
D953,318	S	*	5/2022	Xu	.....	D14/253
D958,221	S	*	7/2022	An	.....	D16/203
D973,121	S	*	12/2022	Wei	.....	D16/206

OTHER PUBLICATIONS

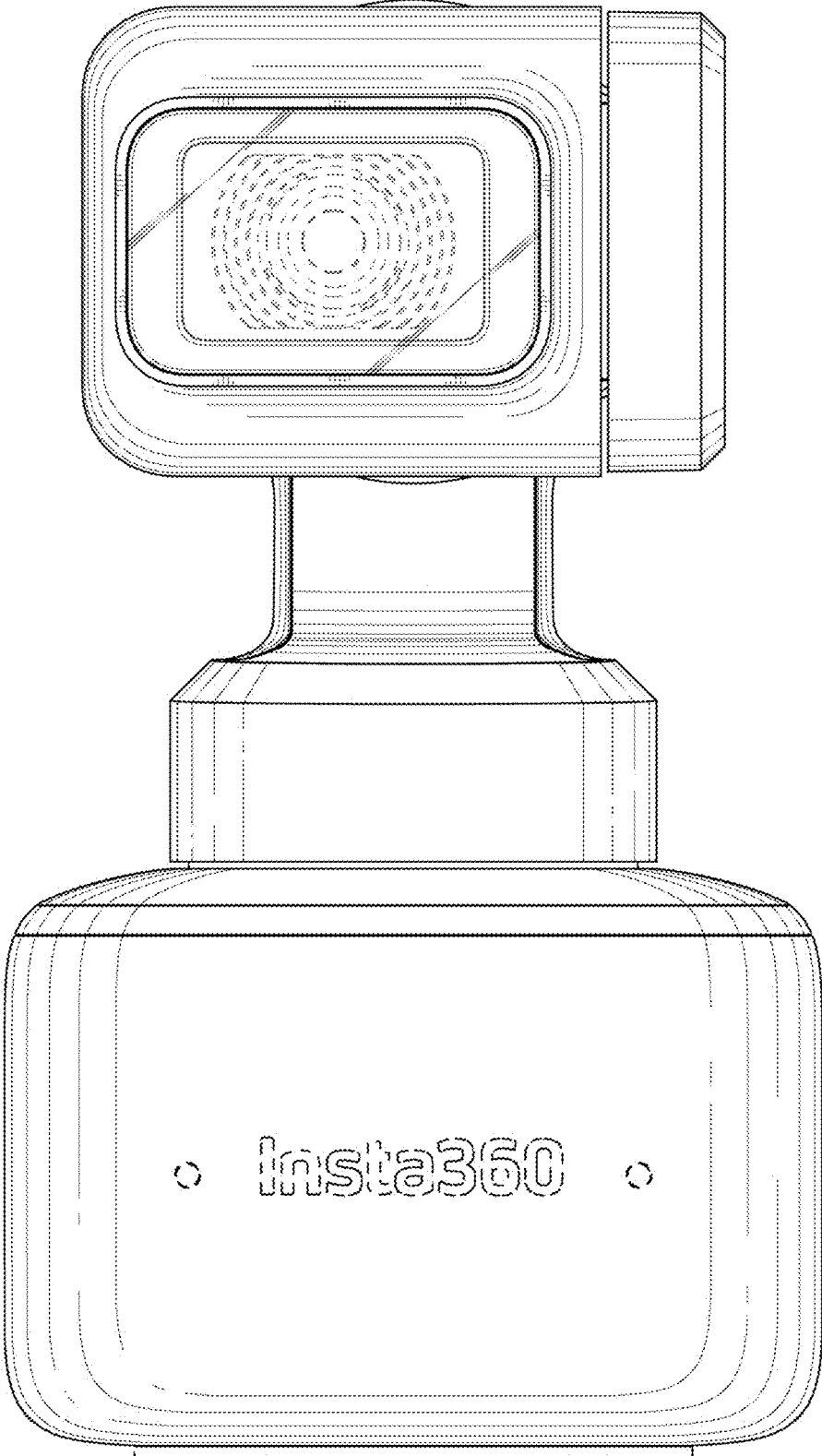
Beach Audio Arashi Vision 266129 Insta360, earliest pictured Mar. 18, 2023, [online], [site visited May 11, 2023]. Available via Internet, <URL:https://www.beachaudio.com/arashi-vision-266129-insta360-accessory-cinstbj-a-link-retail/> (Year: 2023).\*

Amazon Obsbot Tiny PTZ 4K Webcam, earliest pictured Dec. 7, 2022, [online], [site visited May 11, 2023]. Available via Internet, <URL: https://www.amazon.com/dp/B09MVVVWS8\_encoding=UTF8&psc=1&ref\_cm\_sw\_r\_cp\_ud\_dp\_TT4QD5G53A8Y61962YER> (Year: 2022).\*

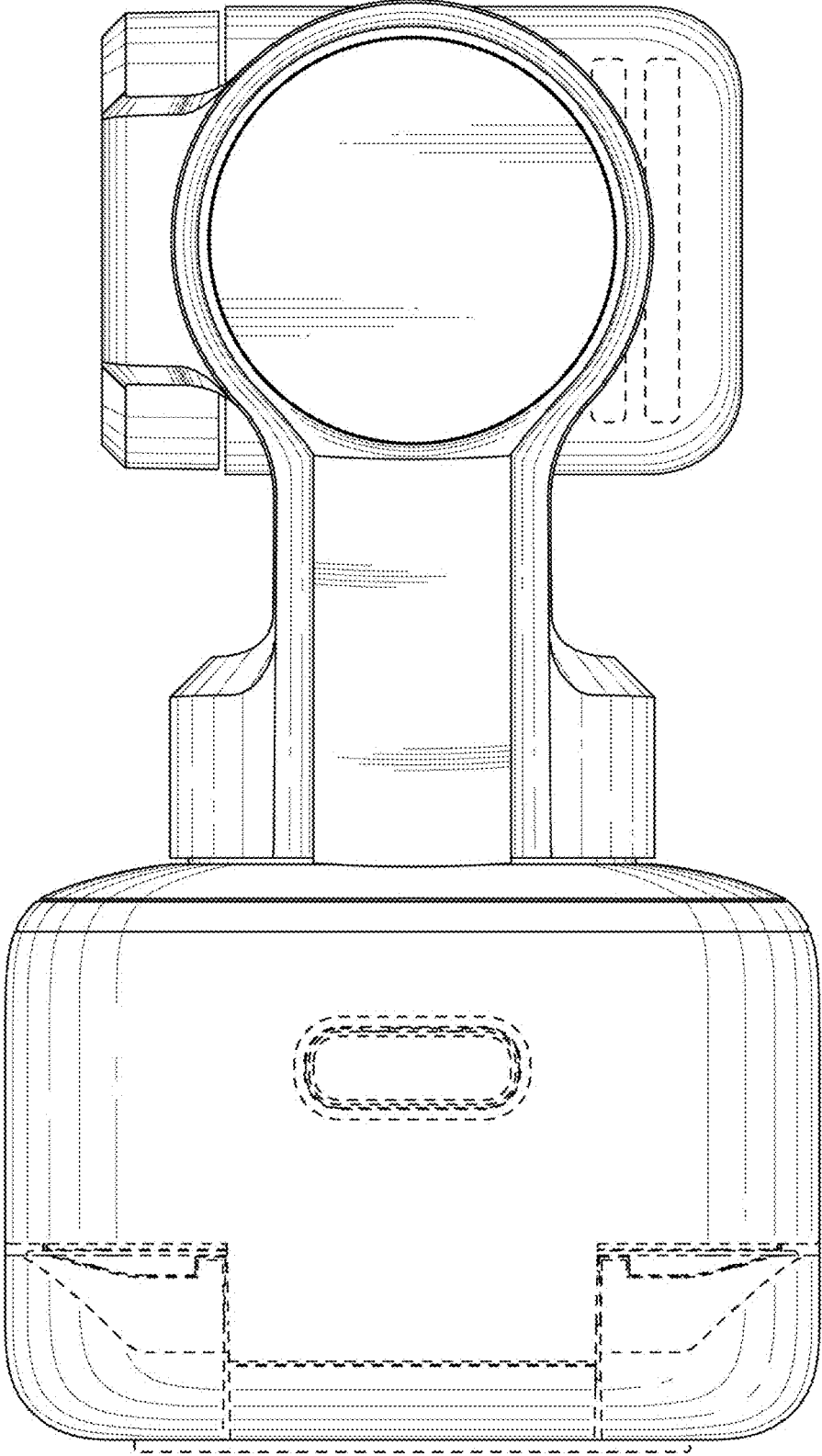
Google Search, [online], [site visited May 11, 2023]. Available via Internet, <URL:https://www.google.com/search?q=AI+web+camera&tbm=isch&ved=2ahUKEwj7j-aH3u3-AhW\_OFkFHbXpAocQ2-cCegQIABAA&oq=AI+web+camer%E2%80%A6> (Year: 2023).\*

\* cited by examiner

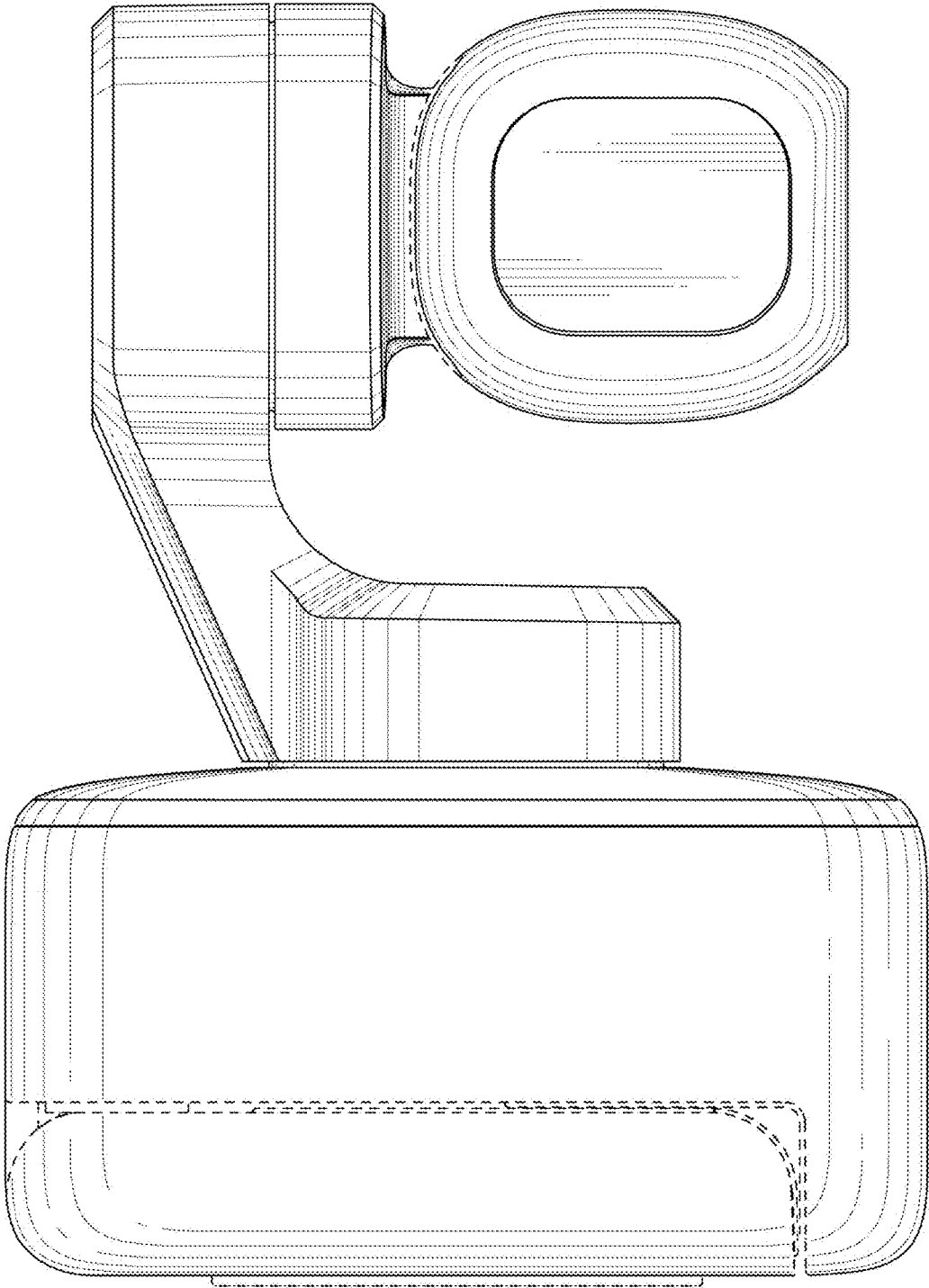
1.1



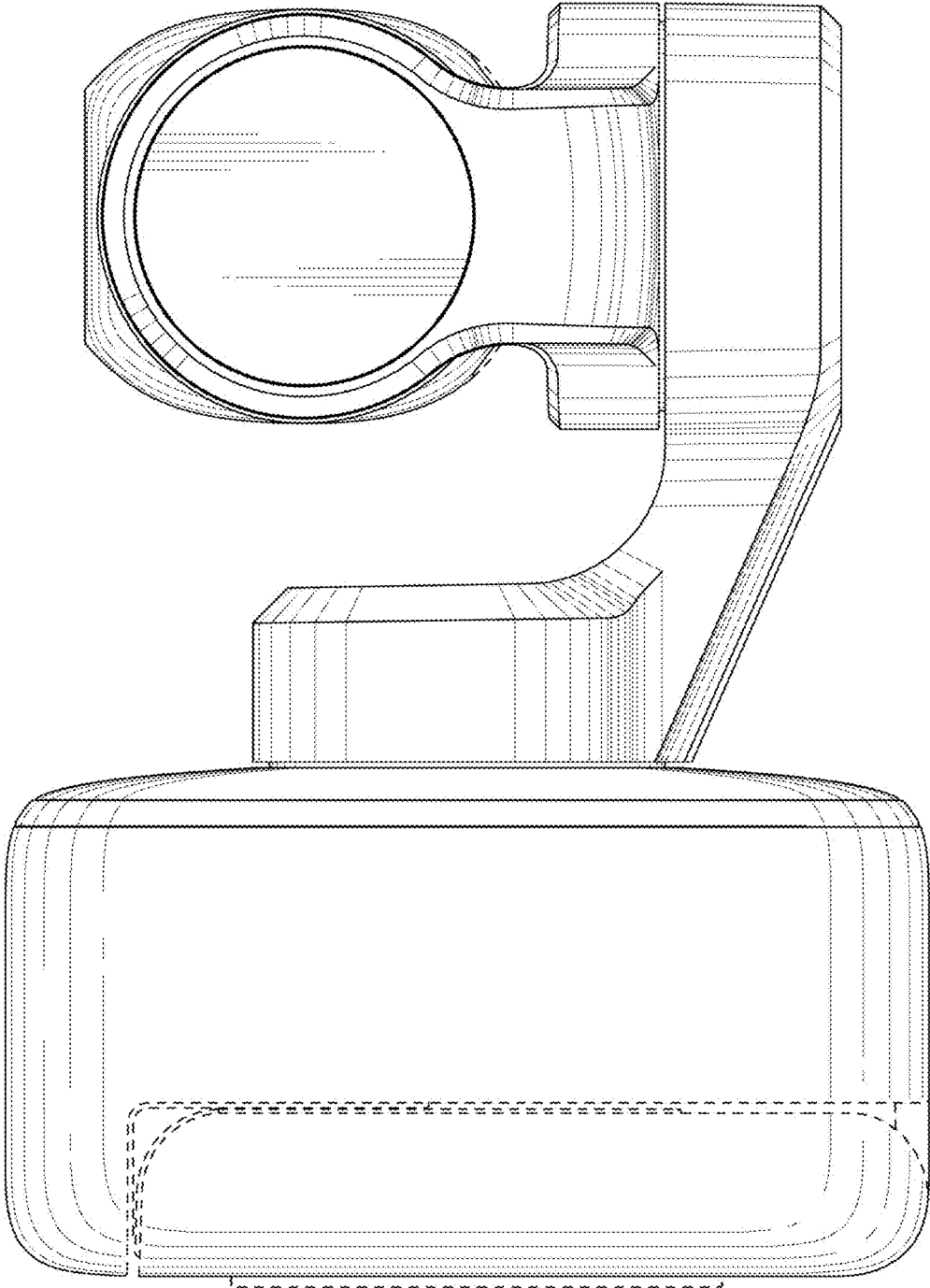
1.2



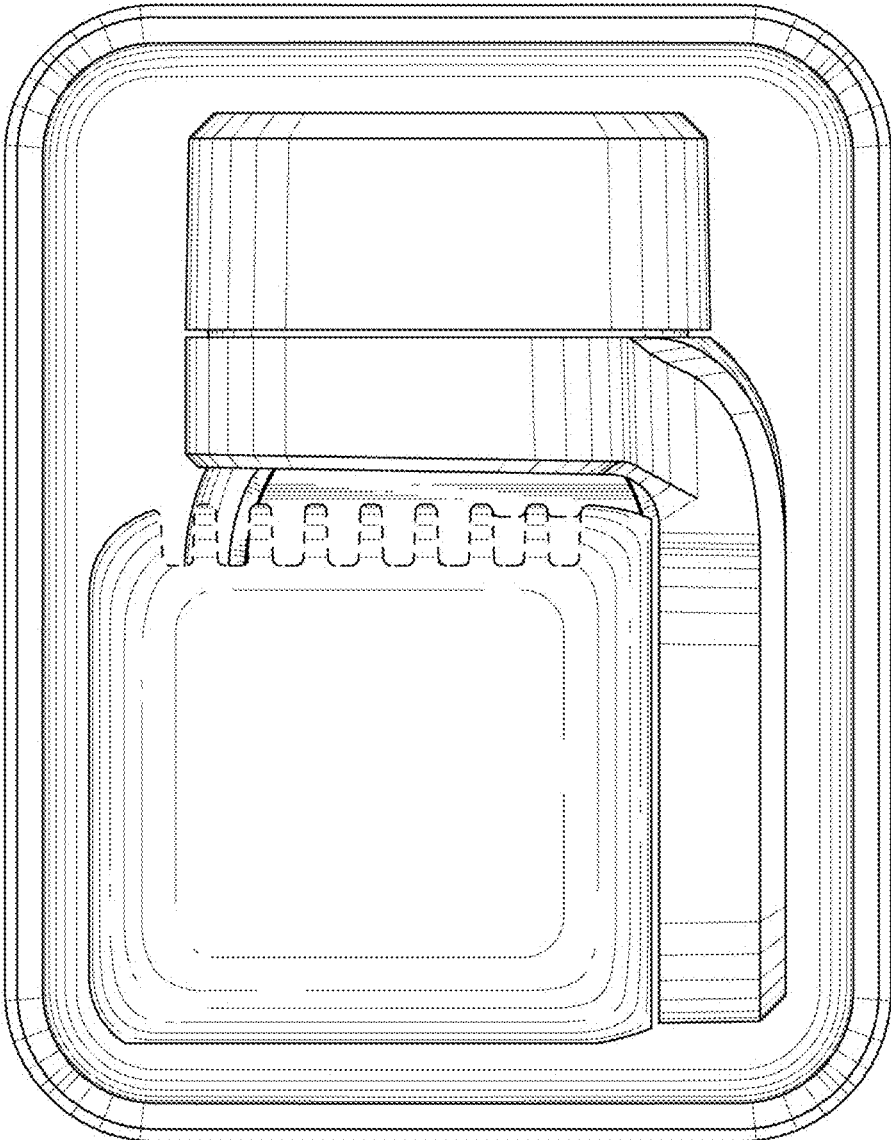
1.3



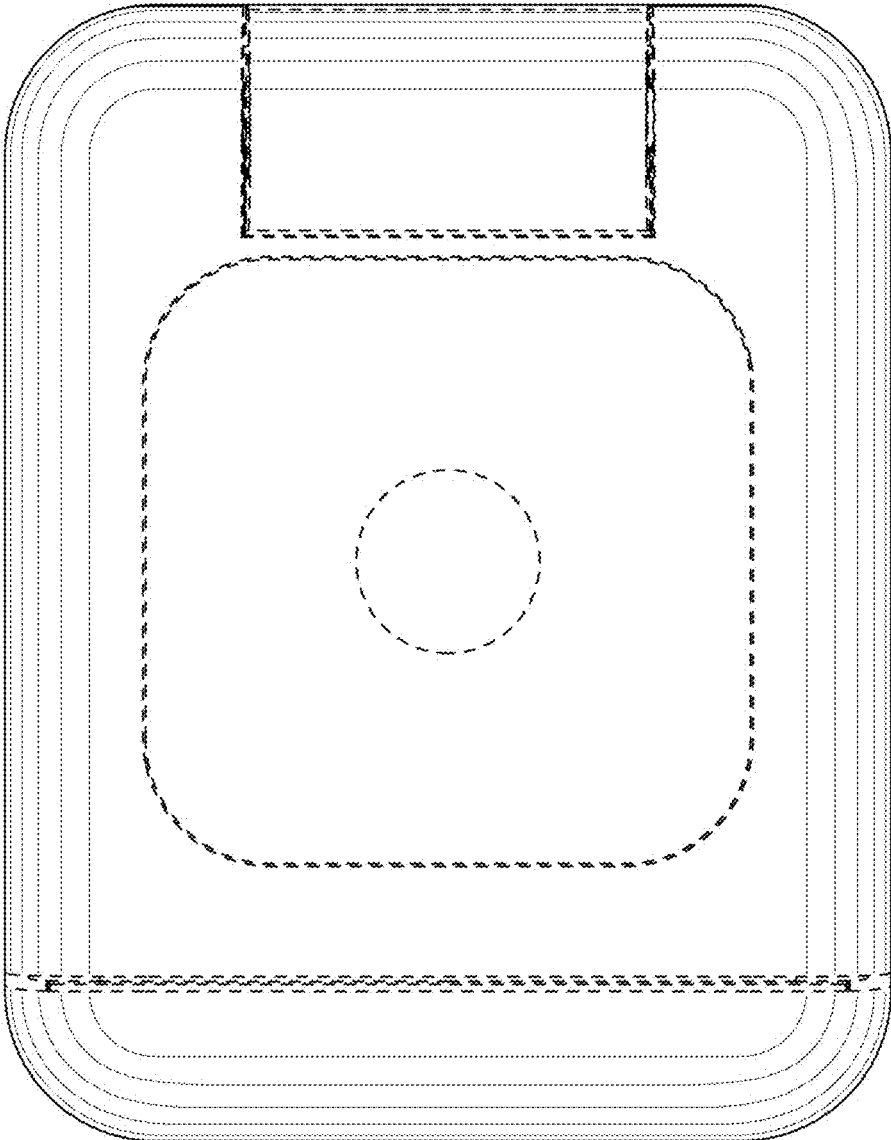
1.4



1.5



1.6





1.7

