



(12) **United States Design Patent**
Blakeslee et al.

(10) **Patent No.:** **US D998,462 S**
(45) **Date of Patent:** **** Sep. 12, 2023**

- (54) **LID**
- (71) Applicant: **Kimberly-Clark Worldwide, Inc.**,
Neenah, WI (US)
- (72) Inventors: **Raafia S. Blakeslee**, Greenville, WI (US); **Thomas F. Borkovetz**, Hortonville, WI (US); **Jeremy T. Gauger**, Greenville, WI (US); **Ronda N. Korb**, Kiel, WI (US); **Ryan A. Weaver**, Appleton, WI (US); **Bryan Eliot Rolfs**, Chicago, IL (US)
- (73) Assignee: **Kimberly-Clark Worldwide, Inc.**,
Neenah, WI (US)
- (**) Term: **15 Years**
- (21) Appl. No.: **29/771,643**
- (22) Filed: **Feb. 24, 2021**
- (51) **LOC (14) Cl.** **09-07**
- (52) **U.S. Cl.**
USPC **D9/449**
- (58) **Field of Classification Search**
USPC D7/387, 391, 392.1, 396.1, 396.2, 396.6, D7/388, 402, 403; D9/434, 435, 436, D9/438, 439, 440, 442, 443, 445, 446, D9/452, 453, 454, 455, 456; D3/201, D3/273, 304, 315, 318, 319, 323; D23/209, 258, 259, 260, 261; D24/127, D24/162, 193, 194, 197, 199, 224, 227; D34/10, 11; D6/518
CPC B25B 13/5008; B25B 15/008; B65D 1/02; B65D 1/0233; B65D 1/08; B65D 1/10; B65D 41/14; B65D 41/16; B65D 41/3428; B65D 55/16; B65D 43/169; B65D 43/26;

(Continued)

(56) **References Cited**

U.S. PATENT DOCUMENTS

- 5,205,431 A * 4/1993 Zinnbauer A45D 40/22
220/264
- 6,712,076 B2 * 3/2004 Alexander A45D 33/24
132/303

(Continued)

FOREIGN PATENT DOCUMENTS

- FR 3089961 A1 * 6/2020 B65D 43/169
- WO WO-2017024106 A1 * 2/2017

OTHER PUBLICATIONS

Huggies Natural Care Baby Wipes: Site Visited (Sep. 20, 2022). Available from Internet URL: <https://www.cascadehealthcaresolutions.com/huggies-natural-care-baby-wipes/>*

(Continued)

Primary Examiner — Catherine S Posthauer

(74) *Attorney, Agent, or Firm* — Banner & Witcoff, Ltd.

(57) **CLAIM**

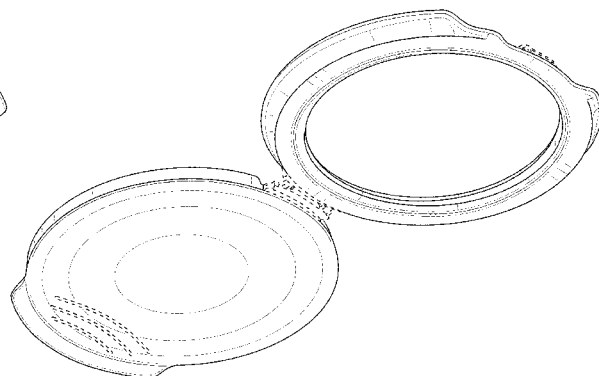
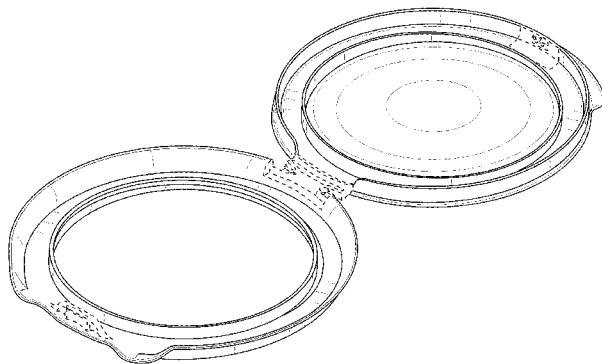
The ornamental design for a lid, as shown and described.

DESCRIPTION

FIG. 1 is a top, front, right perspective view of the claimed design for a lid;
 FIG. 2 is a bottom, front, left perspective view thereof;
 FIG. 3 is a front view thereof;
 FIG. 4 is a back view thereof;
 FIG. 5 is a left view thereof;
 FIG. 6 is a right view thereof;
 FIG. 7 is a top view thereof;
 FIG. 8 is a bottom view thereof; and,
 FIG. 9 is a top, front, right perspective view thereof, shown in a position of use with exemplary environmental subject matter.

The broken lines are shown for the purpose of illustrating parts of the article as well as exemplary environmental subject matter. None of the broken lines form part of the claimed design.

1 Claim, 9 Drawing Sheets



(58) **Field of Classification Search**

CPC B65D 43/08; B65D 2543/00972; B65D
 2525/285; B65D 2525/286; B65D
 2525/287; B65D 2525/288; B65D 53/02;
 B65D 83/0805; B65D 75/5894; B65D
 43/088; A47G 19/24; B67D 3/00

See application file for complete search history.

2011/0240514 A1* 10/2011 Bandoh B65D 43/16
 206/494
 2018/0160868 A1* 6/2018 Ma B65D 77/20
 2018/0317720 A1* 11/2018 Azelton B65D 83/0811
 2019/0161252 A1* 5/2019 Wang B65D 45/18
 2020/0260922 A1* 8/2020 Rolfs B65D 75/5894
 2020/0361668 A1* 11/2020 Maheshwari B65D 43/169

(56)

References Cited

U.S. PATENT DOCUMENTS

D525,464 S * 7/2006 Khurana D6/518
 D576,875 S * 9/2008 Steiger D9/449
 D711,746 S * 8/2014 Humm D9/449
 D794,456 S * 8/2017 Rockwell D9/434
 D887,268 S * 6/2020 Rhea D9/449
 D912,513 S * 3/2021 Moon D9/449
 D912,514 S * 3/2021 Moon D9/449
 D937,087 S * 11/2021 Gauger D9/434
 D937,675 S * 12/2021 Berger D9/449

OTHER PUBLICATIONS

Baby Wipes: Announced (Mar. 2018; Online). Site Visited (Sep. 20, 2022). Available from Internet URL: https://www.amazon.com/HUGGIES-Simply-Clean-Fragrance-Free-Wipes/dp/B078XYF78X/ref=sr_1_51?crid=KD28LW5QD90W&keywords=Wipes&E2%80%A6+3%2F11=undefined&th=1.
 Aptar Closure: Announced (Jun. 19, 2021; online). Site Visited (Sep. 24, 2022). Available from Internet URL: <https://www.aptar.com/products/food-beverage/neo/>.

* cited by examiner

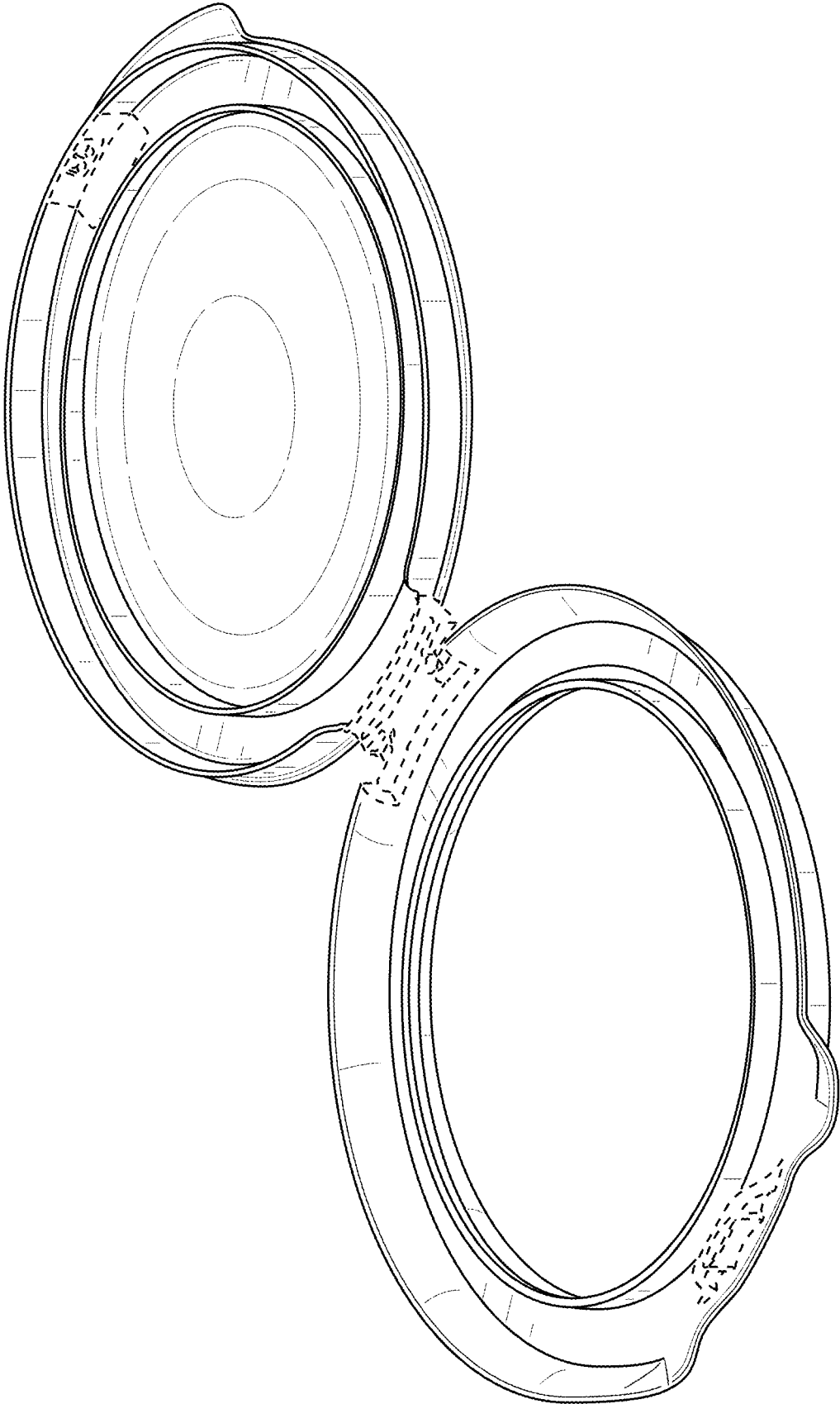


FIG. 1

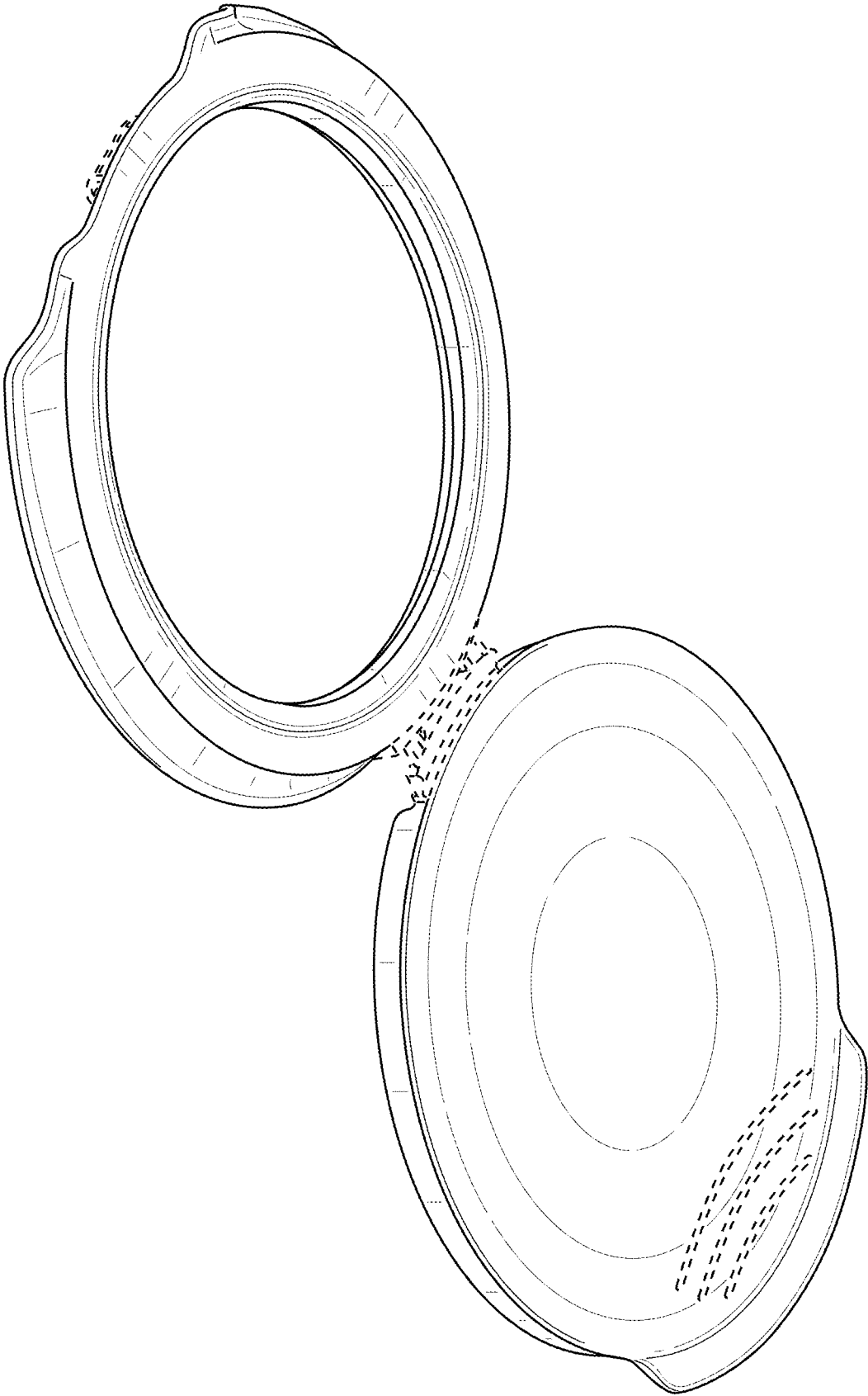


FIG. 2



FIG. 3

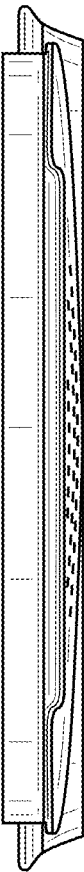


FIG. 4



FIG. 5



FIG. 6

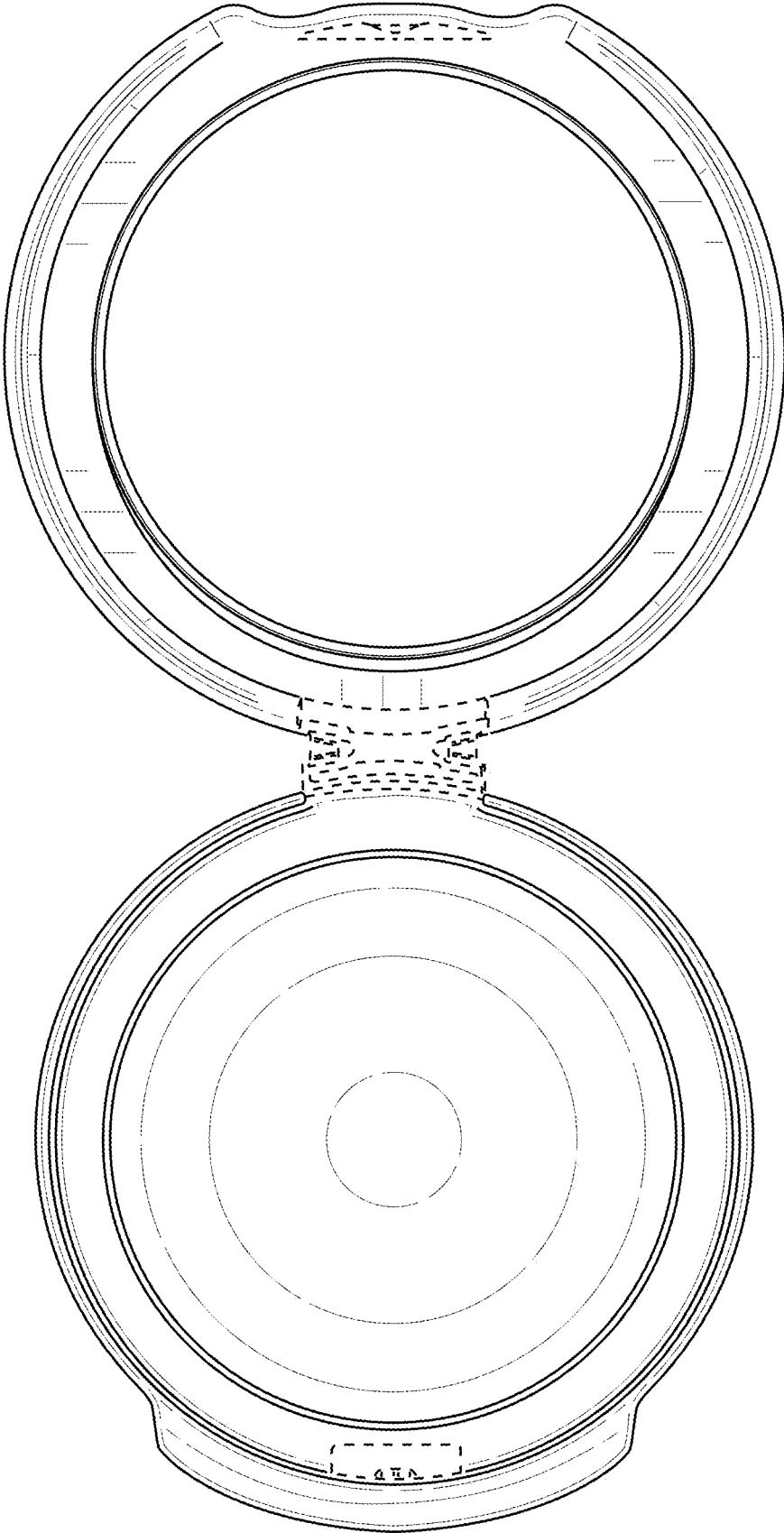


FIG. 7

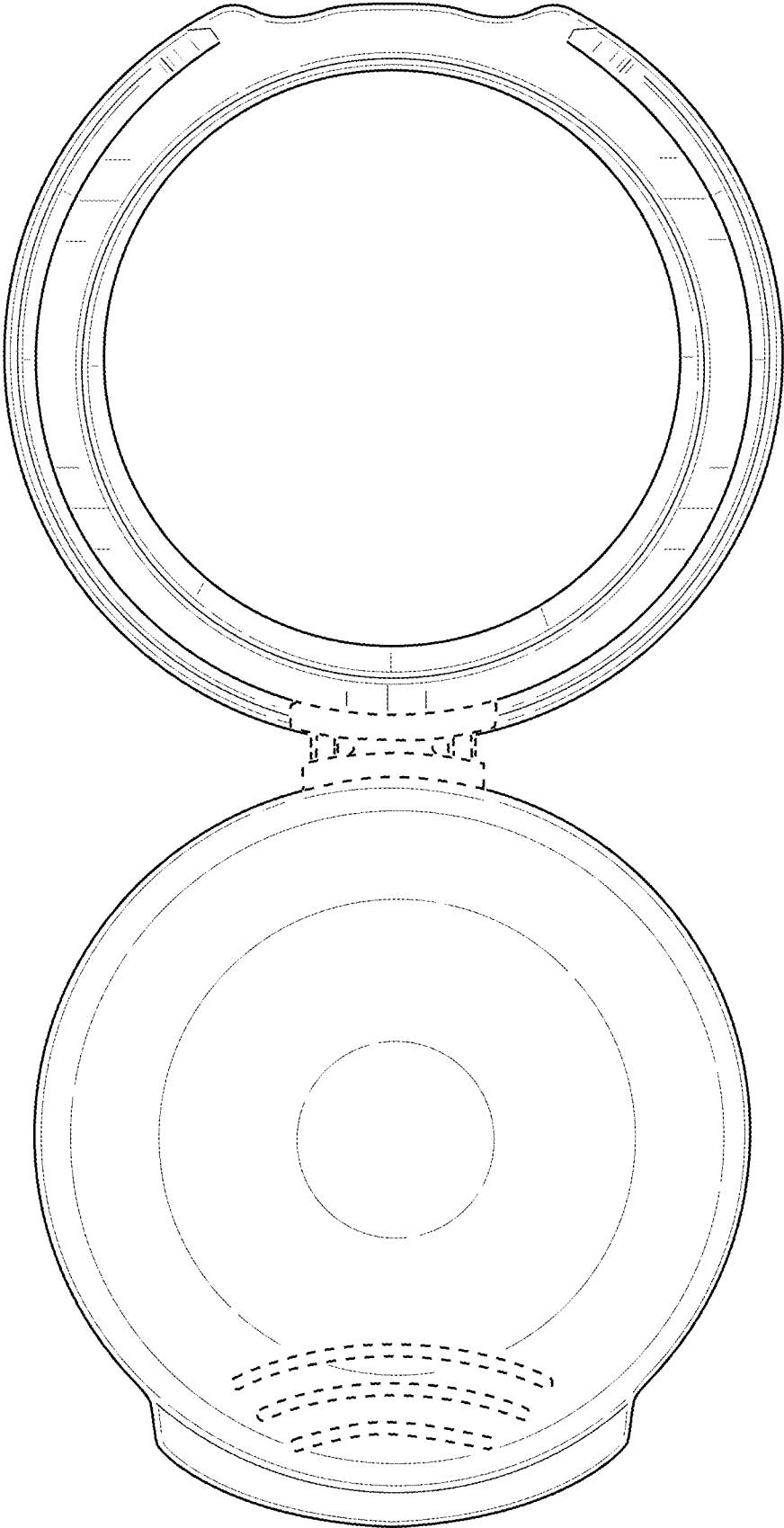


FIG. 8

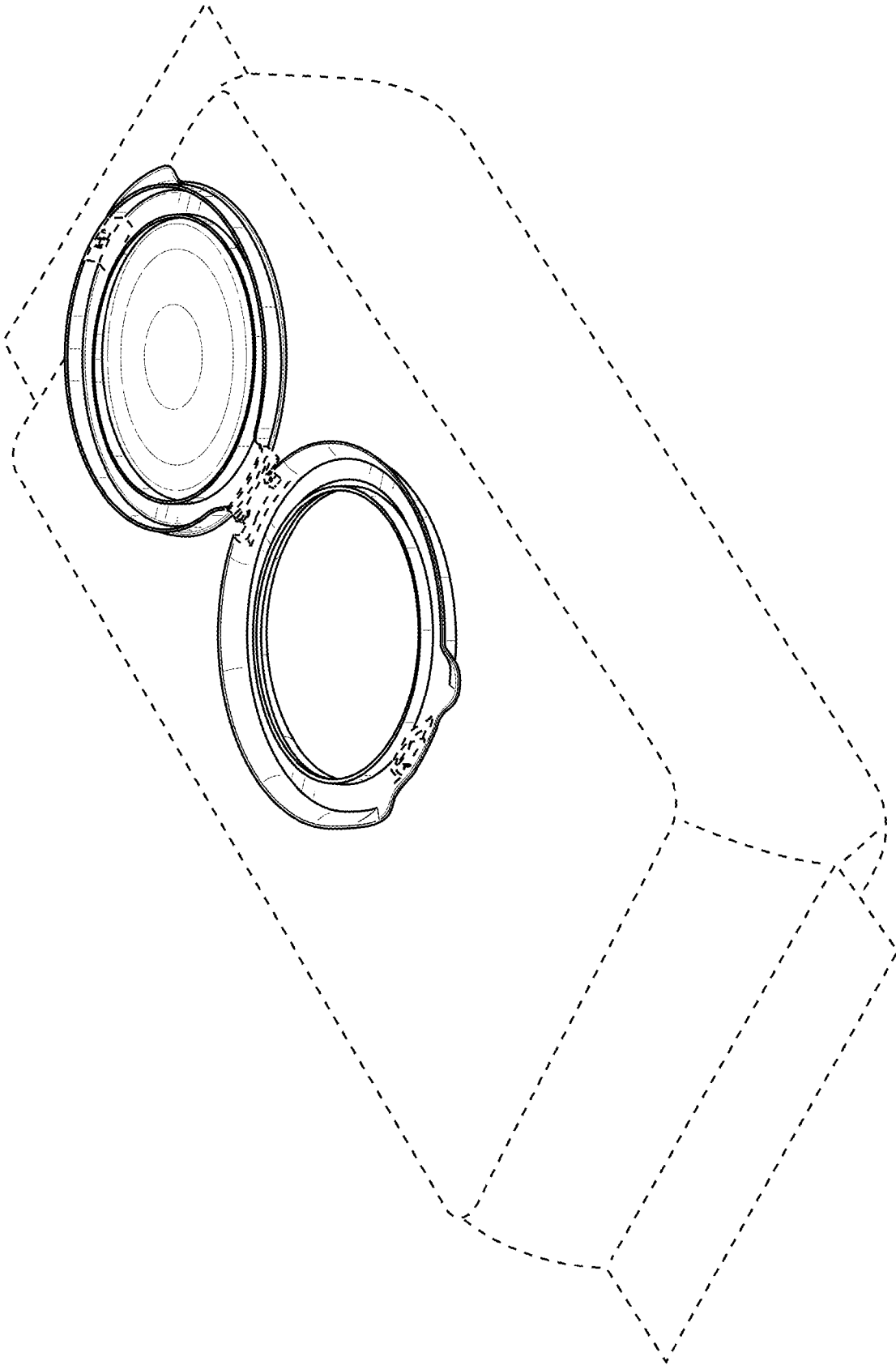


FIG. 9