



US00D994933S

(12) **United States Design Patent** (10) **Patent No.:** **US D994,933 S**  
**Choo et al.** (45) **Date of Patent:** **\*\* \*Aug. 8, 2023**

(54) **HEAD LAMP FOR AN AUTOMOBILE**

F21S 41/20; F21S 41/33; F21S 41/36;  
F21S 41/60; F21S 43/00; F21V 21/04

(71) Applicants: **Hyundai Motor Company**, Seoul (KR); **Kia Corporation**, Seoul (KR)

See application file for complete search history.

(72) Inventors: **Dong Hoon Choo**, Seoul (KR); **Kwang Duck Han**, Seoul (KR)

(56) **References Cited**

(73) Assignees: **Hyundai Motor Company**, Seoul (KR); **Kia Corporation**, Seoul (KR)

U.S. PATENT DOCUMENTS

(\* ) Notice: This patent is subject to a terminal disclaimer.

D582,588 S *	12/2008	Yang .....	D26/28
D749,761 S *	2/2016	Sa .....	D26/28
D822,242 S *	7/2018	Lee .....	D26/28
D831,866 S *	10/2018	Lin .....	D26/28
D870,327 S *	12/2019	Hill .....	D26/28
D889,697 S *	7/2020	Tovey .....	D26/28
D897,573 S *	9/2020	Patel .....	D26/28
D909,642 S *	2/2021	Chen .....	D26/28
D913,542 S *	3/2021	Thomas .....	D26/28
D913,547 S *	3/2021	Thomas .....	D26/28
D922,626 S *	6/2021	Yeh .....	D26/28
D950,785 S *	5/2022	Datta .....	D26/28
D954,305 S *	6/2022	Lin .....	D26/28

(\*\*) Term: **15 Years**

\* cited by examiner

(21) Appl. No.: **35/512,567**

*Primary Examiner* — Angela J Lee

(22) Filed: **Mar. 16, 2021**

(74) *Attorney, Agent, or Firm* — Fox Rothschild LLP

(80) **Hague Agreement Data**

Int. Filing Date: **Mar. 16, 2021**  
Int. Reg. No.: **DM/213410**  
Int. Reg. Date: **Mar. 16, 2021**  
Int. Reg. Pub. Date: **Sep. 17, 2021**

(57) **CLAIM**

The ornamental design for a head lamp for an automobile, as shown and described.

(30) **Foreign Application Priority Data**

Jan. 12, 2021 (KR) ..... 30-2021-0001593

**DESCRIPTION**

(51) **LOC (14) Cl.** ..... **26-06**

1. Head lamp for an automobile

(52) **U.S. Cl.**

1.1 : Perspective

USPC ..... **D26/28**

1.2 : Front

(58) **Field of Classification Search**

1.3 : Back

USPC ..... D26/28, 29, 30, 31, 32, 33, 34, 35, 36

1.4 : Left

CPC ..... F21W 2103/35; F21W 2103/40; F21W

1.5 : Right

2102/17; F21W 2102/30; F21W 2103/00;

1.6 : Top

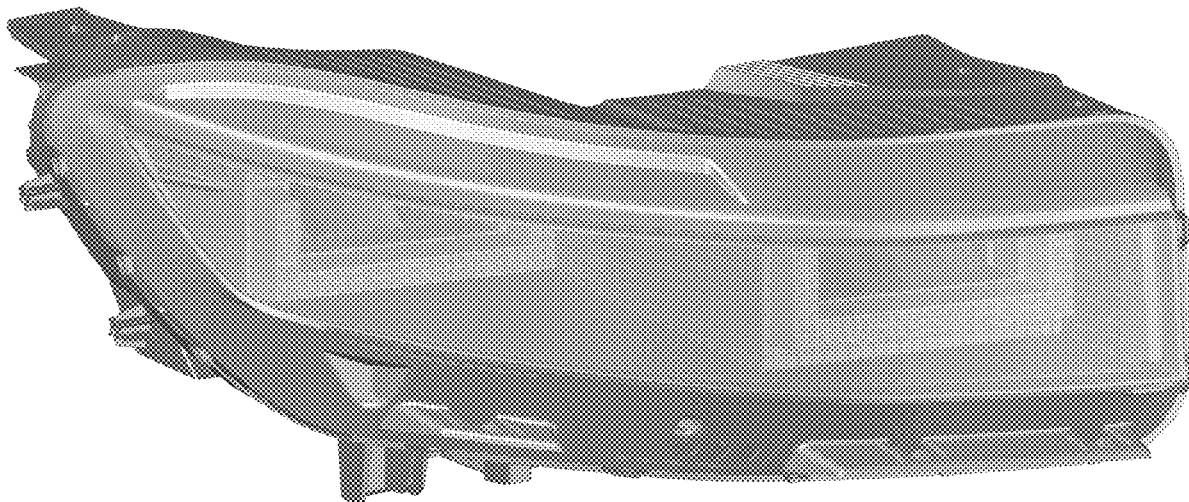
F21W 2103/55; F21W 2104/00; F21W

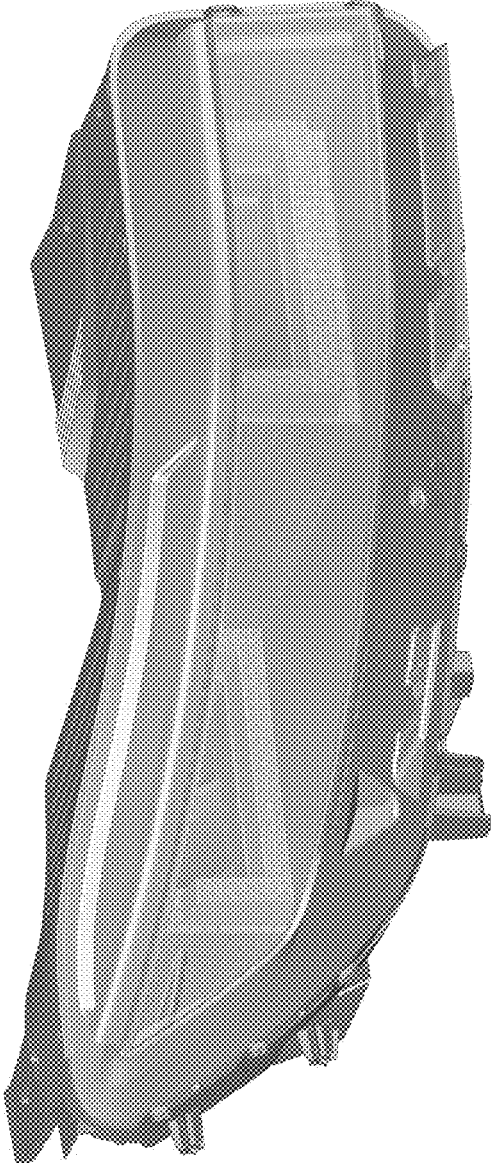
1.7 : Bottom

2107/17; F21W 2107/13; F21S 41/00;

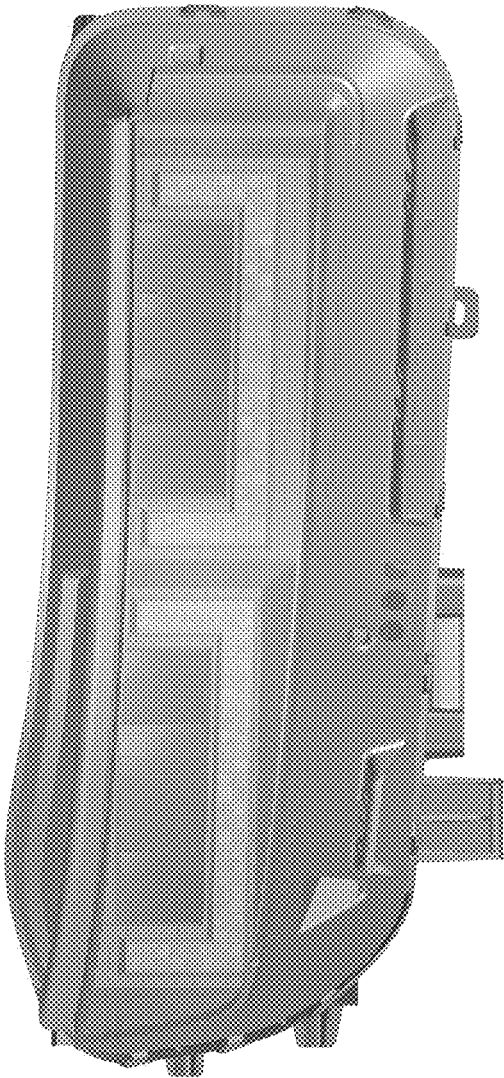
F21S 41/141; F21S 41/162; F21S 41/18;

**1 Claim, 7 Drawing Sheets**

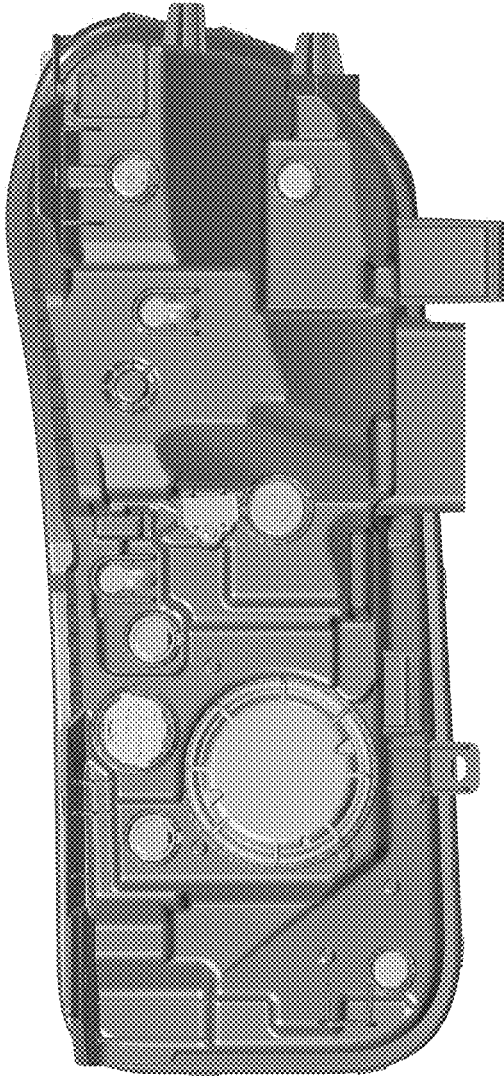




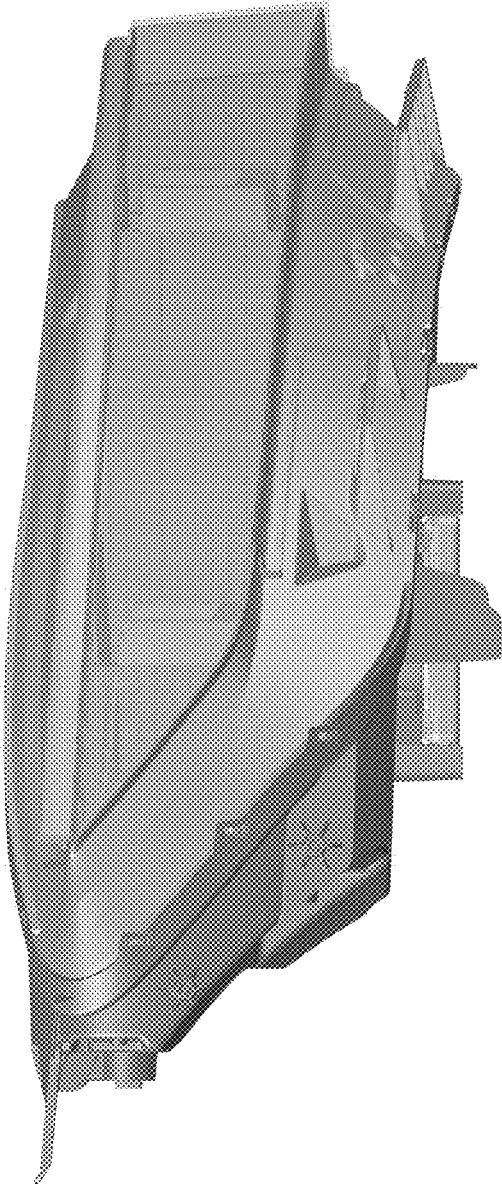
1.1



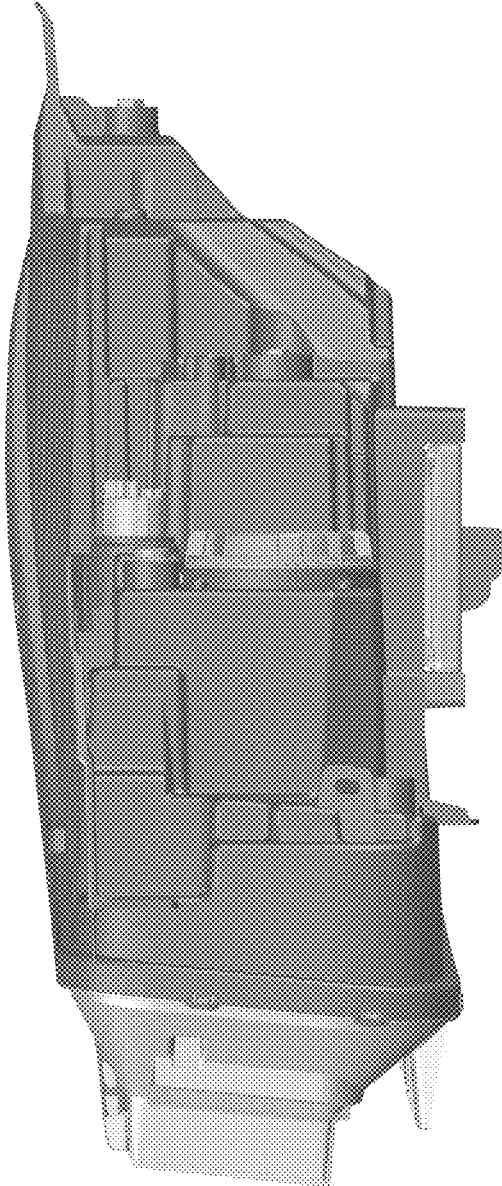
1.2



1.3

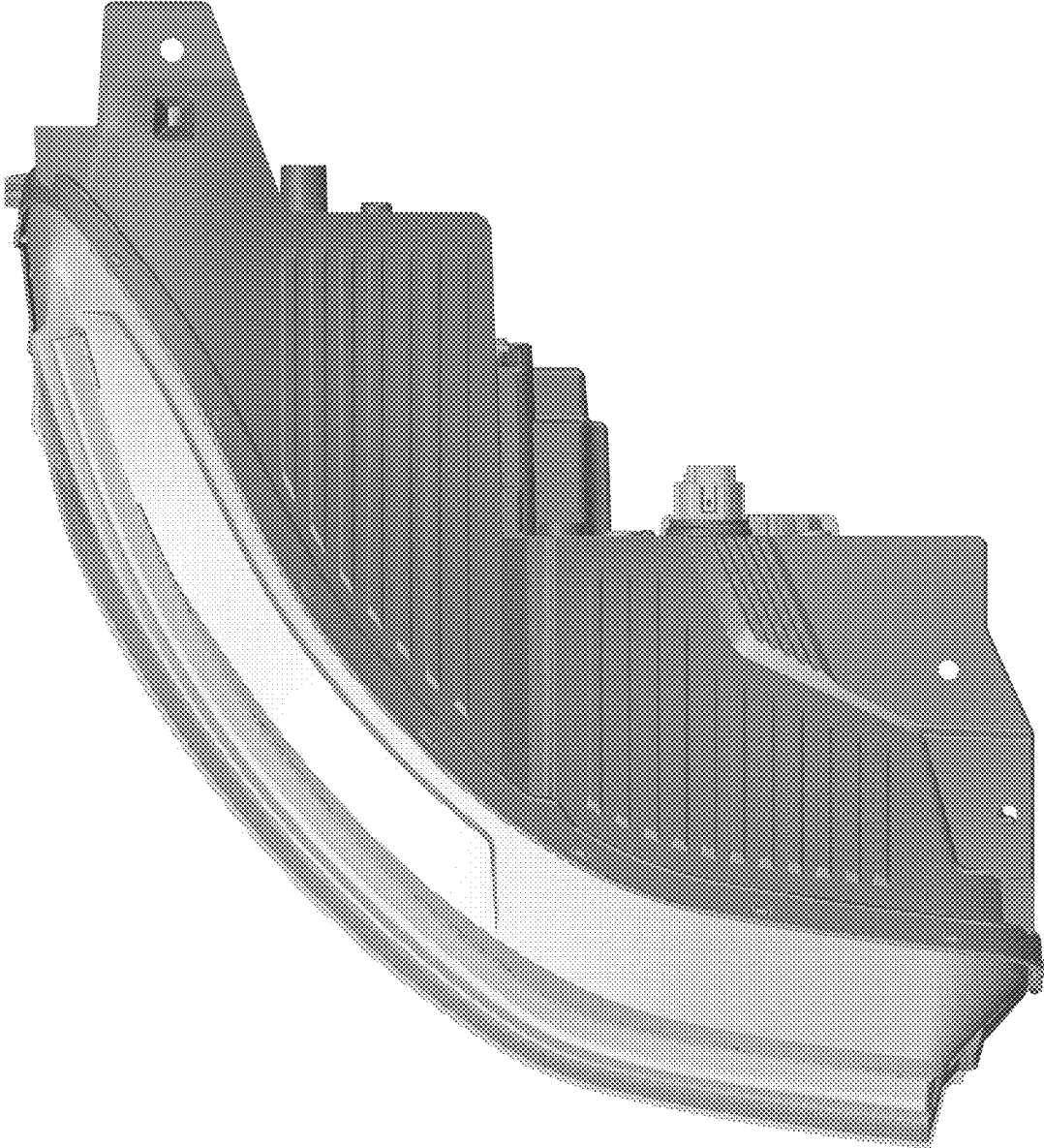


1.4



1.5

1.6



1.7

