

[54] DRINKING FOUNTAIN BUBBLER

[75] Inventor: John F. Adams, Warley, England

[73] Assignees: H. E. Rudge & Co. Ltd., Birmingham; Assoc. Builders Merchants, Limited, Essex, both of England

[\*\*] Term: 14 Years

[21] Appl. No.: 149,140

[22] Filed: May 12, 1980

[30] Foreign Application Priority Data

Apr. 3, 1980 [GB] United Kingdom ..... 994359

[51] Int. Cl. .... D15-08

[52] U.S. Cl. .... D7/398

[58] Field of Search ..... D23/23-32; D15/118; 239/28-31

[56] References Cited

U.S. PATENT DOCUMENTS

D. 89,990 5/1933 Heideloff ..... D15/118  
D. 145,499 8/1946 Whitt ..... D15/118

D. 181,672 12/1957 Phillips, Jr. .... D15/118  
D. 205,278 7/1966 Chapin, Jr. .... D23/34  
D. 217,305 4/1970 Turner ..... D15/118  
1,347,566 7/1920 Wangelin ..... D15/118 X  
3,133,701 5/1964 McClenahan ..... D23/23 X  
3,567,121 3/1971 Dreibelbis ..... 239/29.5  
3,921,903 11/1975 Grimes et al. .... 239/29  
4,009,806 3/1977 Dreibelbis et al. .... 239/29.5  
4,232,825 11/1980 Berry, Jr. .... 239/28

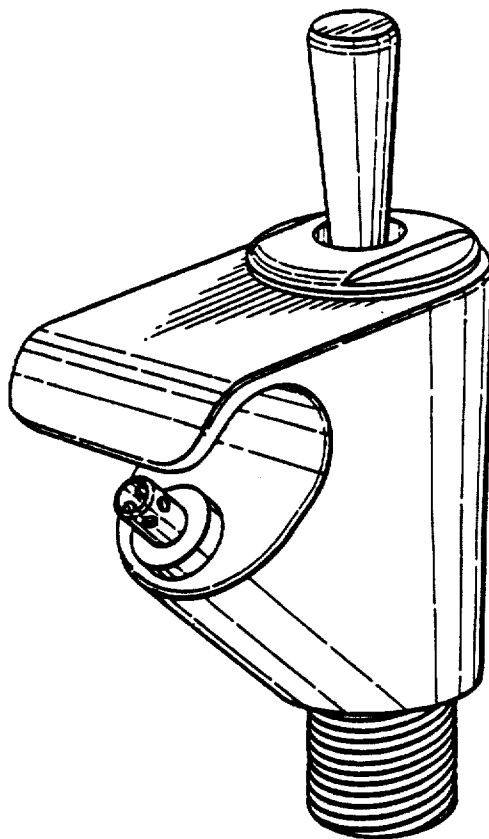
Primary Examiner—James R. Largen  
Attorney, Agent, or Firm—Carothers and Carothers

[57] CLAIM

The ornamental design for a drinking fountain bubbler, as shown and described.

DESCRIPTION

FIG. 1 is a perspective view taken from the top, front and right side of a drinking fountain bubbler showing my new design;  
FIG. 2 is a rear elevational view thereof;  
FIG. 3 is a right side elevational view thereof, the left side being a mirror image of the right side shown;  
FIG. 4 is a top plan view thereof; and  
FIG. 5 is a bottom plan view thereof.



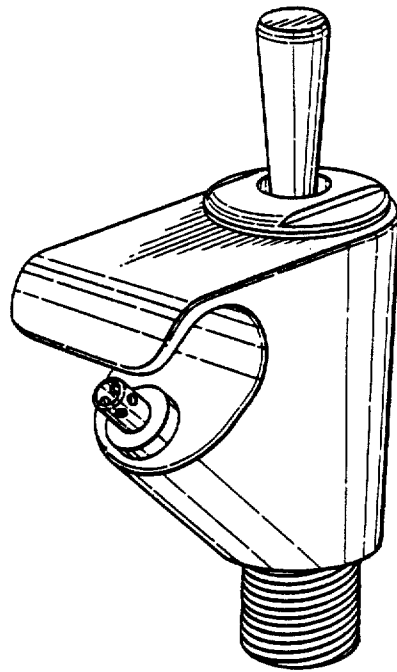


FIG. 1.



FIG. 2.

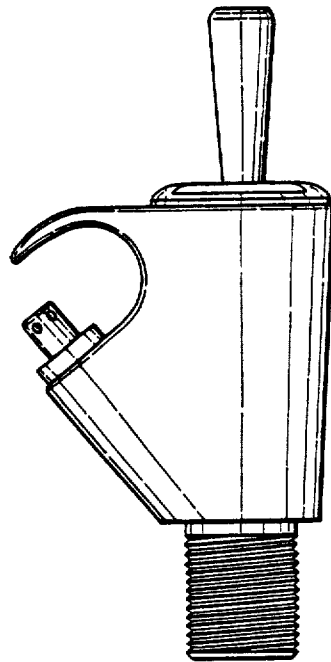


FIG. 3.

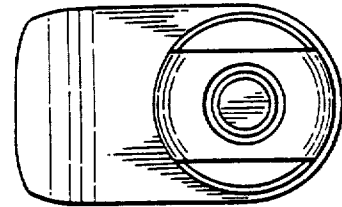


FIG. 4.

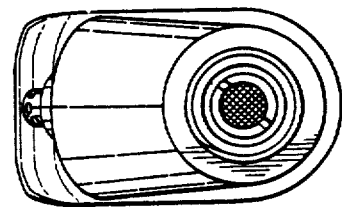


FIG. 5.