



US00D939129S

(12) **United States Design Patent**
Mei

(10) **Patent No.:** **US D939,129 S**

(45) **Date of Patent:** **** Dec. 21, 2021**

(54) **LAMP**

(71) Applicant: **Zhilu Mei**, Hubei (CN)

(72) Inventor: **Zhilu Mei**, Hubei (CN)

(**) Term: **15 Years**

(21) Appl. No.: **29/805,828**

(22) Filed: **Aug. 30, 2021**

(51) **LOC (13) Cl.** **26-03**

(52) **U.S. Cl.**
USPC **D26/87; D26/86**

(58) **Field of Classification Search**
USPC D26/72, 80, 84-88, 92
CPC .. F21S 8/033; F21S 8/035; F21S 8/036; F21S
8/046

See application file for complete search history.

(56) **References Cited**

U.S. PATENT DOCUMENTS

D380,851 S *	7/1997	Dolan	D26/92
D391,662 S *	3/1998	Miranda	D26/87
D468,476 S *	1/2003	Dolan	D26/92
D536,471 S *	2/2007	Matons	D26/87
D897,025 S	9/2020	Gong		

OTHER PUBLICATIONS

Possini Euro Antonia LED Chrome Wall Sconce, Style # 70F48 available from lampsplus.com visited Nov. 1, 2021. (Year: 2021).*
Elan Rockne 3-Light Chrome LED Bath Light, Style # 1X852 available from lampsplus.com as early as Jun. 3, 2020. (Year: 2020).*

Quoizel Zuri Polished Chrome 3-Light LED Bath Light, Style # 96E28 available from lampsplus.com as early as Jul. 25, 2021. (Year: 2021).*

* cited by examiner

Primary Examiner — Clare E Heflin

(57) **CLAIM**

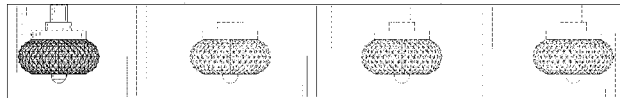
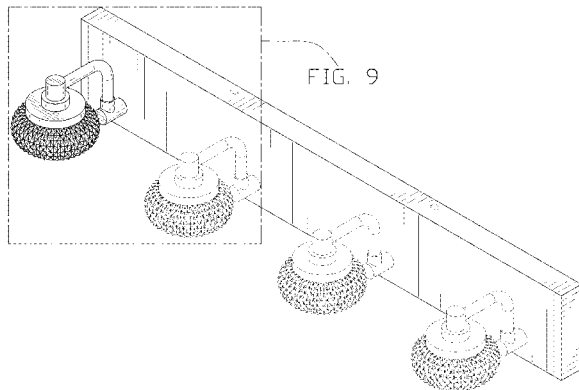
The ornamental design for a lamp, as shown and described.

DESCRIPTION

FIG. 1 is a front and top perspective view of a lamp, showing my new design;
FIG. 2 is a rear and bottom perspective view thereof;
FIG. 3 is a front elevation view thereof;
FIG. 4 is a rear elevation view thereof;
FIG. 5 is a left side elevation view thereof;
FIG. 6 is a right side elevation view thereof;
FIG. 7 is a top plan view thereof;
FIG. 8 is a bottom plan view thereof;
FIG. 9 is an enlarged view of a portion labeled, 'FIG. 9' in FIG. 1; and,
FIG. 10 is an enlarged view of a portion labeled, 'FIG. 10' in FIG. 2.

The broken lines in the figures illustrate portions of the lamp that form no part of the claimed design. The dash dot dash lines in FIGS. 1, 2, 9 and 10 are for the purpose of depicting the boundary lines of the enlarged view and form no part of the claimed design.

1 Claim, 10 Drawing Sheets



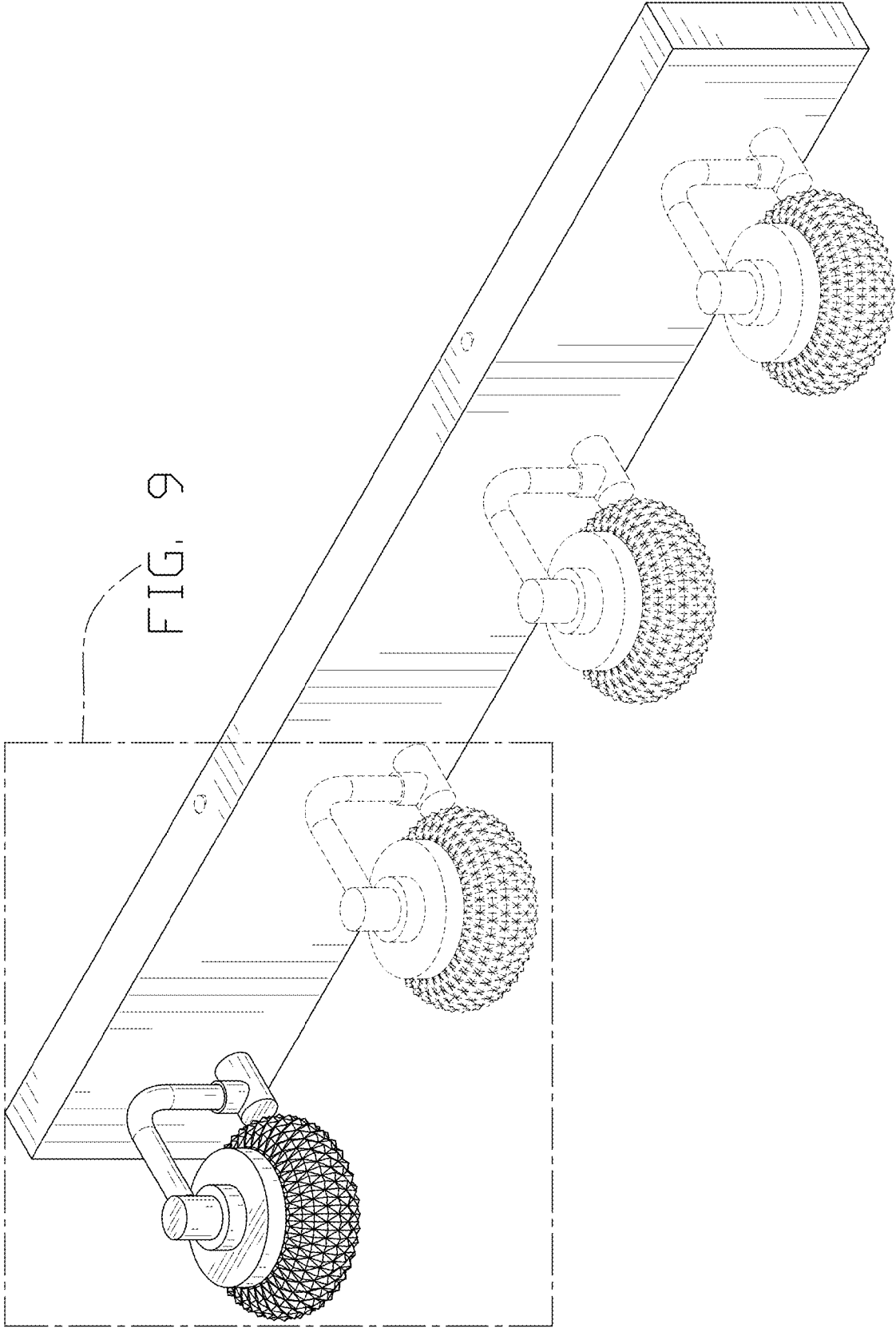
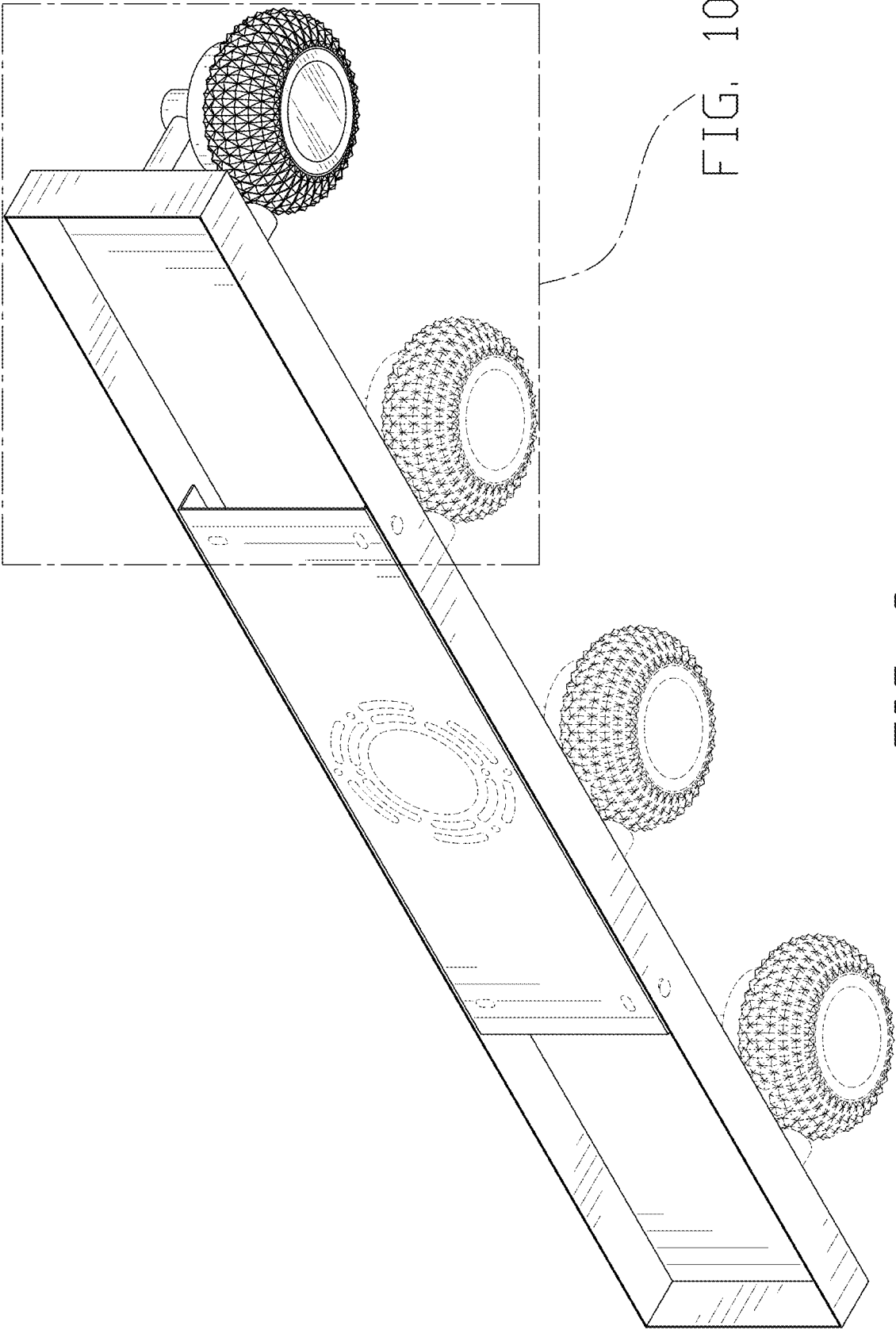


FIG. 9

FIG. 1



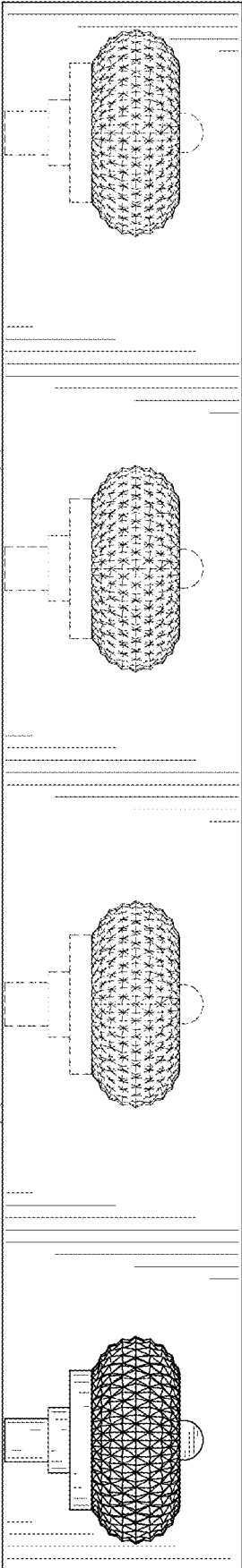


FIG. 3

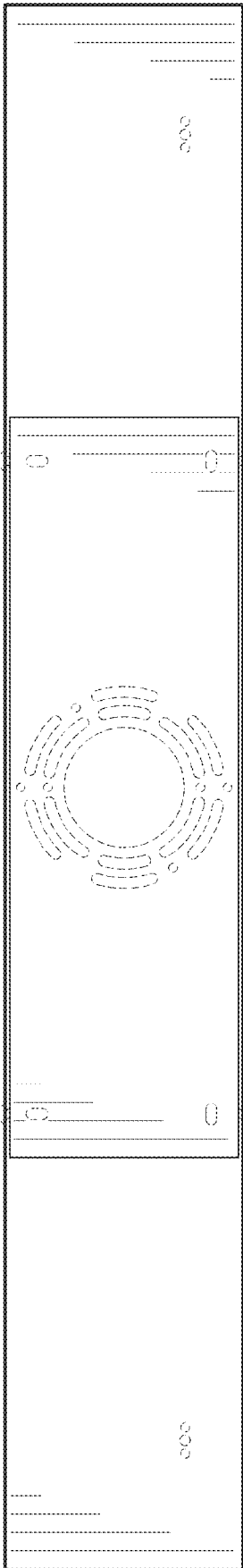


FIG. 4

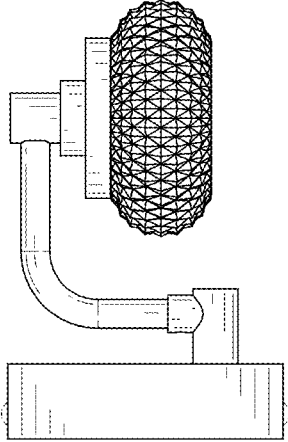


FIG. 5

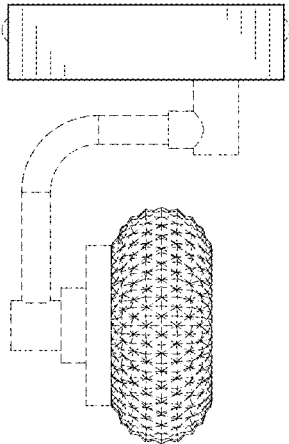


FIG. 6

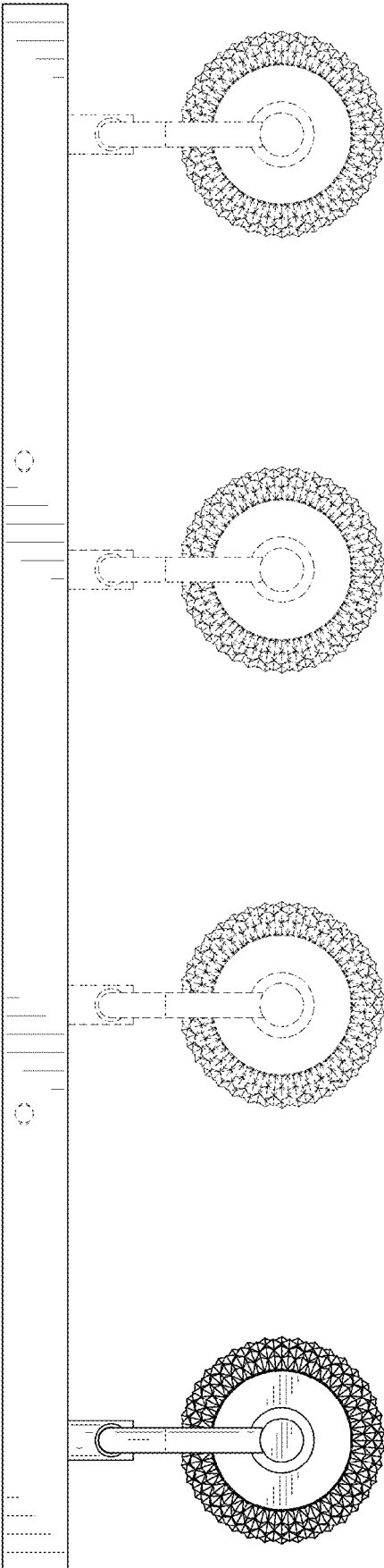


FIG. 7

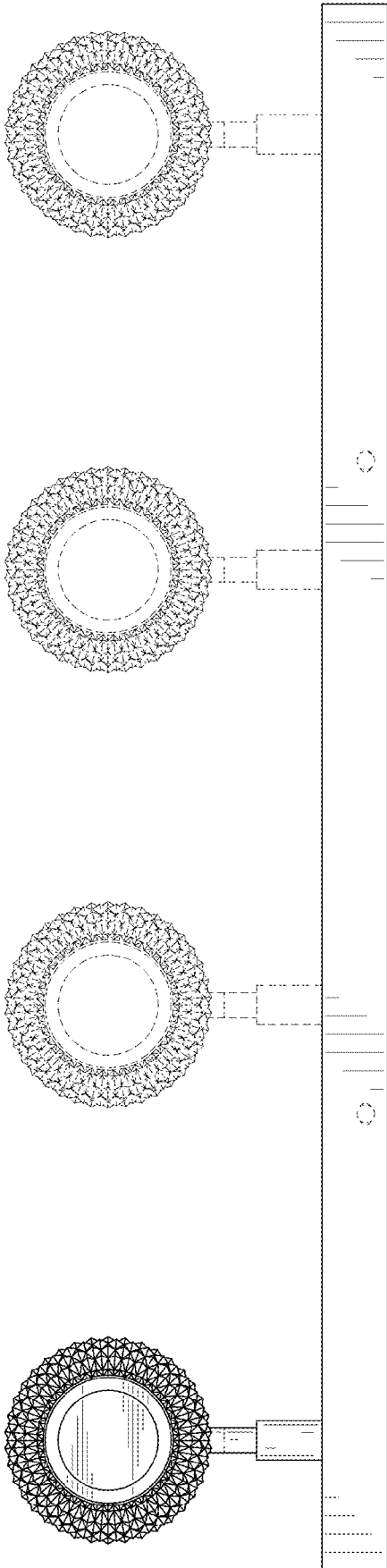


FIG. 8

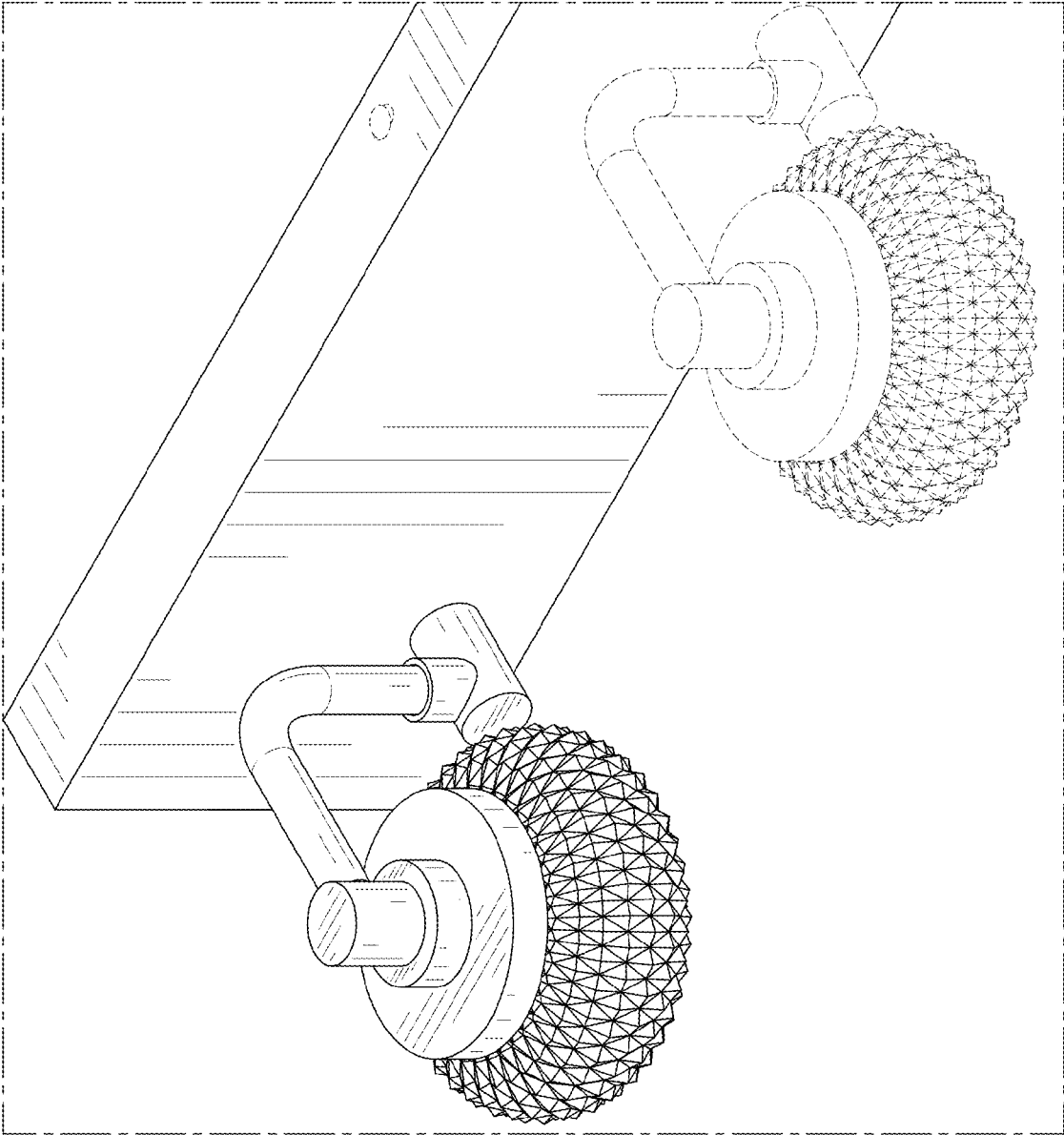


FIG. 9

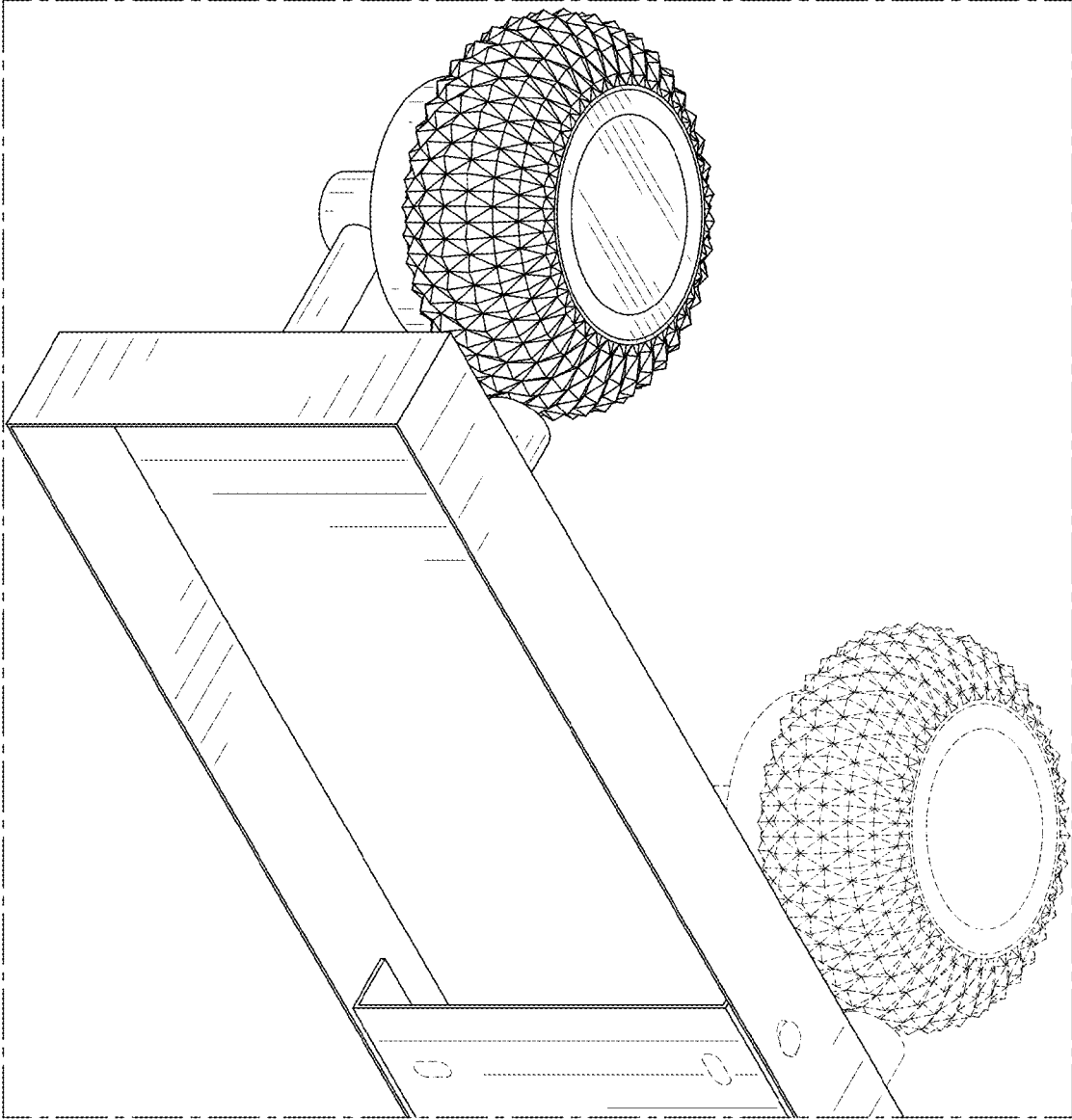


FIG. 10