



US00D926889S

(12) **United States Design Patent**  
**Bruzzese et al.**

(10) **Patent No.:** **US D926,889 S**

(45) **Date of Patent:** **\*\* Aug. 3, 2021**

- (54) **GAMING MACHINE SCREEN**
- (71) Applicant: **Ainsworth Game Technology Limited**,  
Newington (AU)
- (72) Inventors: **Vincent Carmelo Bruzzese**, Oatlands  
(AU); **Scott Paul Shelley**, Heathcote  
(AU); **Daniel John Shaw**, Gynea Bay  
(AU); **Ivan Antonio Valdes**, Pemulwuy  
(AU); **Stephen Endre Hadanich**,  
Chittaway Point (AU); **Matthew  
Whitbread**, The Oaks (AU)

D685,033 S	6/2013	Wudtke
D706,741 S	6/2014	Myers
D712,975 S	9/2014	Lesley et al.
D714,875 S	10/2014	Wudtke et al.
D715,364 S	10/2014	Wudtke et al.
D719,615 S	12/2014	Inoue et al.
D719,616 S	12/2014	Inoue et al.
D740,888 S	10/2015	DePalma et al.
D742,974 S	11/2015	Lesley et al.
D742,975 S	11/2015	Myers et al.
RE46,169 E *	10/2016	Kelly ..... G07F 17/3211 D21/370
D796,724 S *	9/2017	Sonneman ..... D26/85

(Continued)

- (73) Assignee: **Ainsworth Game Technology Limited**,  
Newington (AU)
- (\*\*) Term: **15 Years**

*Primary Examiner* — Khawaja Anwar  
*Assistant Examiner* — Julice Seung Eun Oum  
 (74) *Attorney, Agent, or Firm* — Cook Alex Ltd.

- (21) Appl. No.: **29/718,774**
- (22) Filed: **Dec. 27, 2019**

(57) **CLAIM**

The ornamental design for a gaming machine screen, as shown and described.

- (51) **LOC (13) Cl.** ..... **21-03**
- (52) **U.S. Cl.**  
USPC ..... **D21/369**
- (58) **Field of Classification Search**  
USPC ..... D21/349, 350, 397, 329, 332, 333, 365,  
D21/385, 694, 371, 325, 324, 336, 369,  
D21/370  
CPC .... A63F 7/027; A63F 9/00; A63F 5/04; A63F  
7/02; G07F 17/321; G07F 17/3213  
See application file for complete search history.

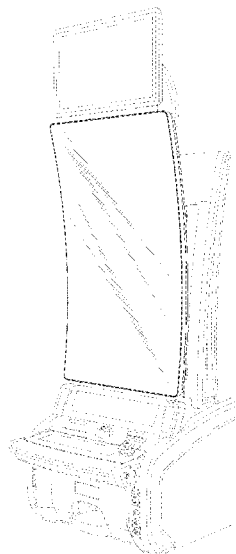
**DESCRIPTION**

FIG. 1 is a perspective view of a gaming machine screen showing my new design;  
 FIG. 2 is a frontal view of the gaming machine screen of FIG. 1;  
 FIG. 3 is a rear view of the gaming machine screen of FIG. 1;  
 FIG. 4 is a side view of the gaming machine screen of FIG. 1;  
 FIG. 5 is an opposite side view of the gaming machine screen of FIG. 1;  
 FIG. 6 is a top view of the gaming machine screen of FIG. 1; and,  
 FIG. 7 is a bottom view of the gaming machine screen of FIG. 1.  
 The broken lines shown in the drawings illustrate portions of the gaming machine screen that form no part of the claimed design.

(56) **References Cited**  
 U.S. PATENT DOCUMENTS

D405,963 S *	2/1999	Arbak	.....	D6/310
D487,582 S	3/2004	McGahn et al.		
D506,331 S *	6/2005	Quintal	.....	D6/332
D560,724 S	1/2008	Johnson		
D560,725 S	1/2008	Johnson		
D646,336 S	10/2011	Kelly et al.		
D646,337 S	10/2011	Kelly et al.		

**1 Claim, 6 Drawing Sheets**



(56)

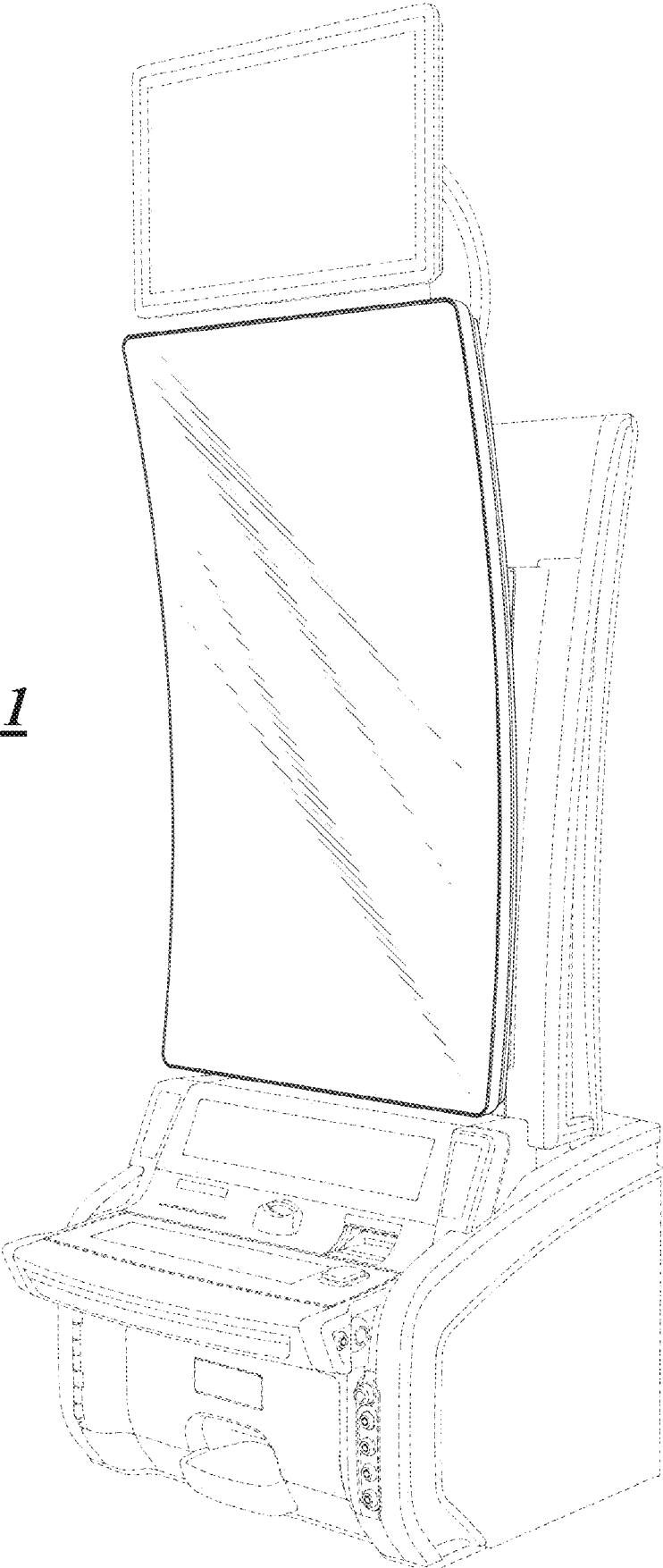
References Cited

U.S. PATENT DOCUMENTS

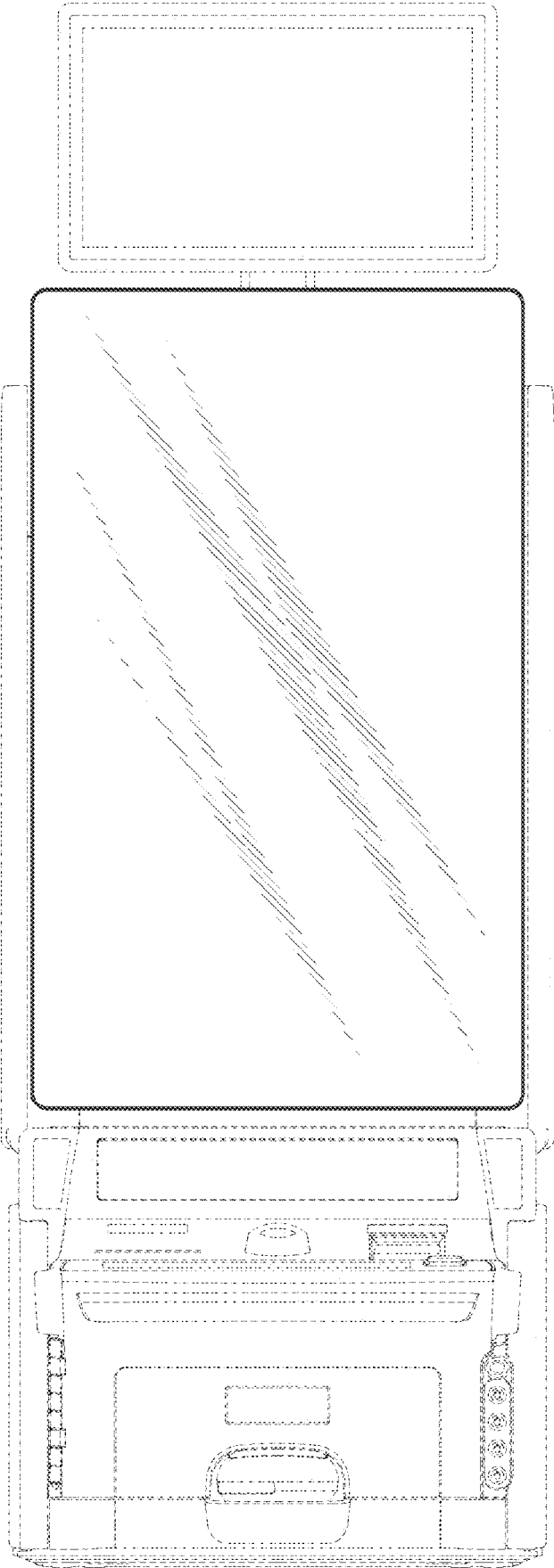
D812,146 S	3/2018	Castro et al.	
D812,147 S	3/2018	Castro et al.	
D812,148 S *	3/2018	Castro .....	D21/369
D812,149 S	3/2018	Castro et al.	
D819,747 S *	6/2018	Castro .....	D21/369
D820,915 S *	6/2018	Lee .....	D21/369
D832,355 S	10/2018	Castro et al.	
D832,356 S	10/2018	Castro et al.	
D832,357 S	10/2018	Castro et al.	
D832,358 S	10/2018	Castro et al.	
D836,164 S	12/2018	Castro et al.	
D842,930 S	3/2019	Johnson et al.	
D842,932 S	3/2019	Stair et al.	
D843,458 S	3/2019	Castro et al.	
D843,459 S	3/2019	Castro et al.	
D843,460 S	3/2019	Castro et al.	
D843,461 S	3/2019	Castro et al.	
D843,462 S	3/2019	Castro et al.	
D843,463 S	3/2019	Castro et al.	
D843,464 S	3/2019	Castro et al.	
D843,465 S	3/2019	Castro et al.	
D843,466 S	3/2019	Castro et al.	
D843,467 S	3/2019	Johnson et al.	
D843,468 S	3/2019	Johnson et al.	
D843,473 S *	3/2019	Zedell, Jr. ....	D21/369
D843,474 S	3/2019	Lesley et al.	
D843,475 S	3/2019	Lesley et al.	
D843,476 S	3/2019	Lesley et al.	
D843,477 S	3/2019	Lesley et al.	
D843,478 S	3/2019	Lesley et al.	
D843,479 S	3/2019	Castro et al.	
D843,480 S	3/2019	Castro et al.	
D843,482 S	3/2019	Holland et al.	
D844,062 S	3/2019	Lesley et al.	
D846,650 S	4/2019	Stair et al.	
D850,536 S	6/2019	Stair et al.	
D850,537 S	6/2019	Urban et al.	
D880,606 S *	4/2020	Glenn, II .....	D21/369
D888,834 S *	6/2020	Lee .....	D21/369
D890,850 S *	7/2020	Johnson .....	D21/369
D894,285 S *	8/2020	Glenn .....	D21/369
D896,314 S *	9/2020	Castro .....	D21/369
D898,128 S *	10/2020	Urban .....	D21/369
D904,522 S *	12/2020	Kim .....	D21/369
D905,172 S *	12/2020	Zedell, Jr. ....	D21/369
D906,433 S *	12/2020	DeMarco .....	D21/369
D907,123 S *	1/2021	DeMarco .....	D21/369
D907,125 S *	1/2021	DeMarco .....	D21/369
D907,714 S *	1/2021	DeMarco .....	D21/369
D910,119 S *	2/2021	DeMarco .....	D21/369
D911,451 S *	2/2021	Ortiz De Viveiros .....	D21/369

\* cited by examiner

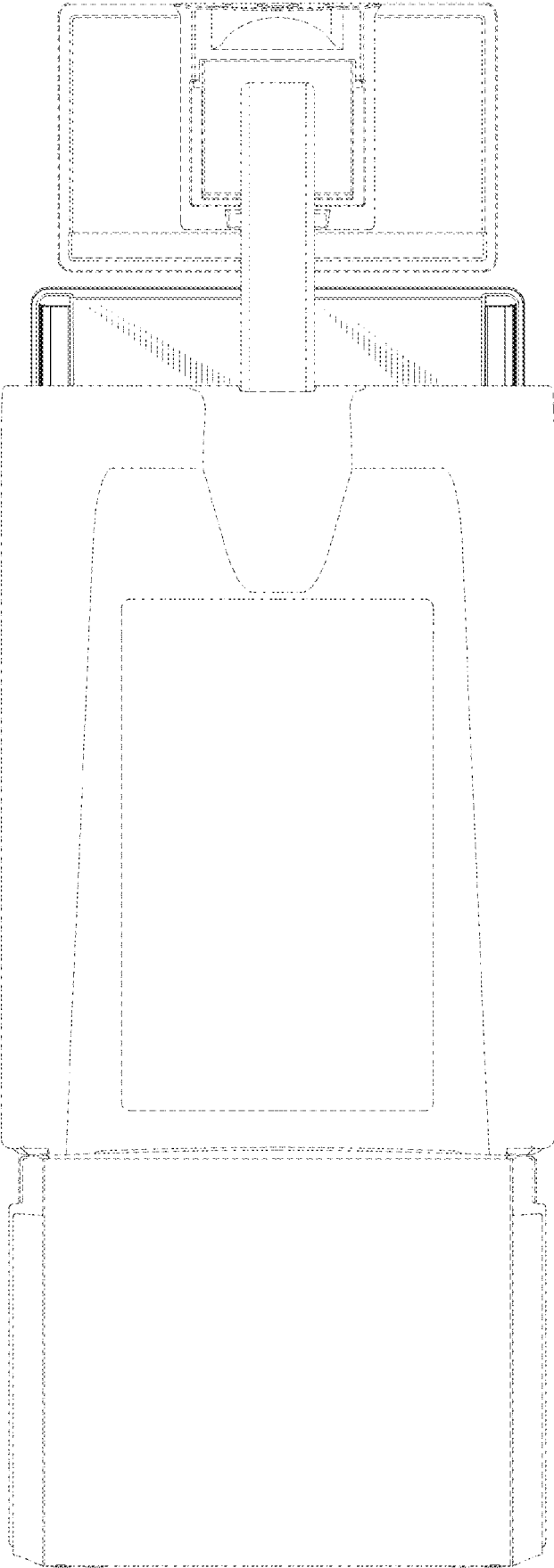
**FIG. 1**



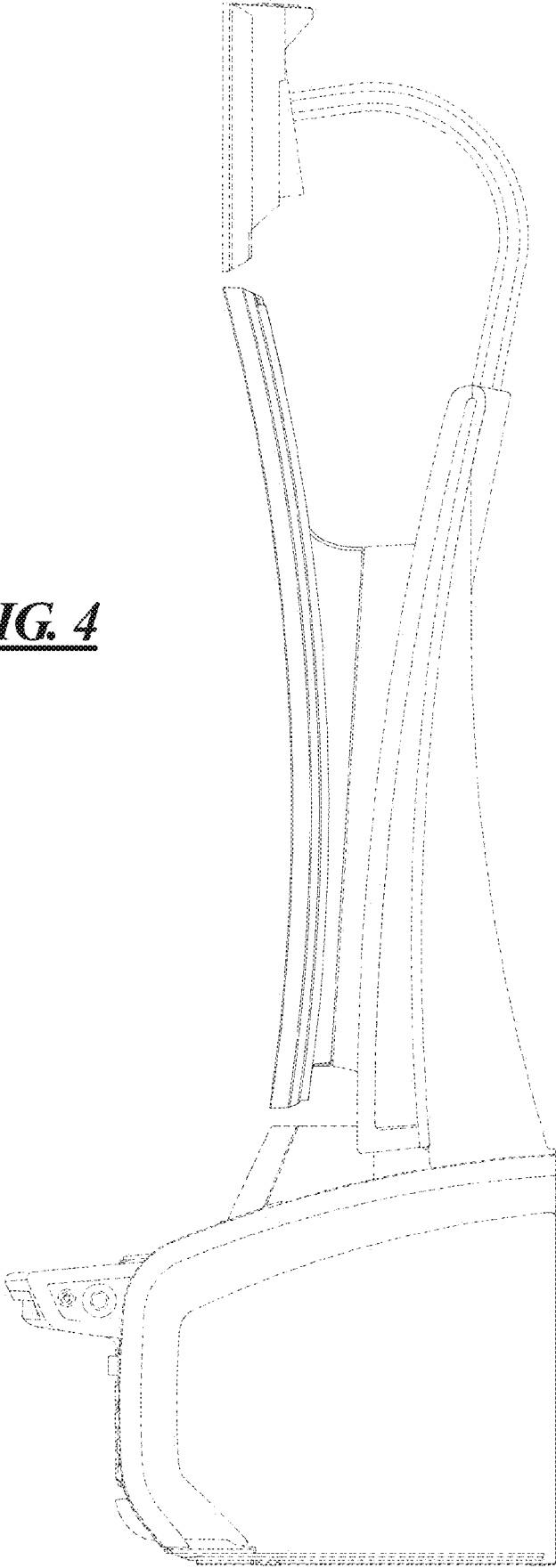
**FIG. 2**



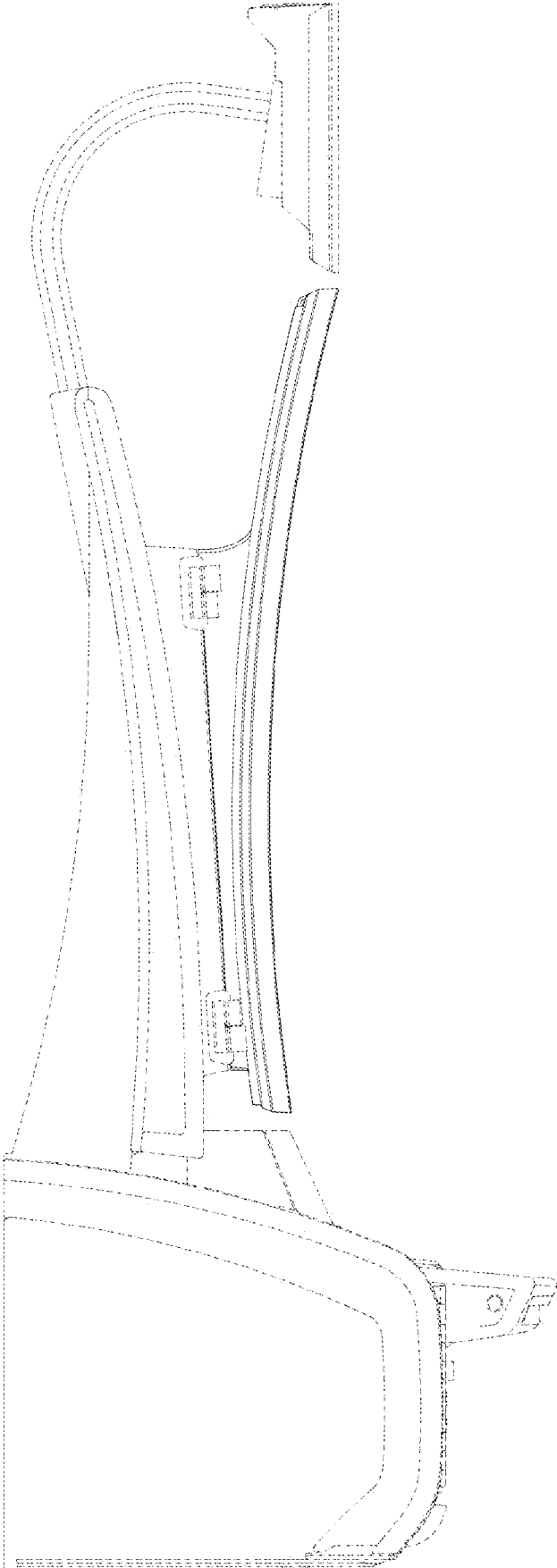
**FIG. 3**



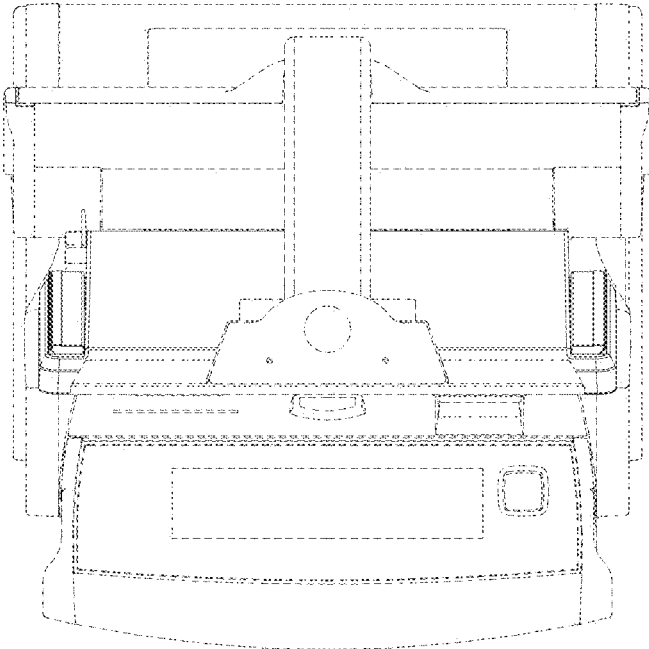
**FIG. 4**



**FIG. 5**



**FIG. 6**



**FIG. 7**

