



US00D380540S

# United States Patent [19]

Seatvet et al.

[11] Patent Number: **Des. 380,540**

[45] Date of Patent: **\*\*Jul. 1, 1997**

## [54] PORTABLE HEATER-BLOWER

[76] Inventors: **Scott D. Seatvet; Melanie A. Seatvet,**  
both of 504 E. Third, Eagle, Colo.  
81631

[\*\*] Term: **14 Years**

[21] Appl. No.: **39,214**

[22] Filed: **May 24, 1995**

[51] LOC (6) Cl. .... **23-04**

[52] U.S. Cl. .... **D23/383; D23/332; D23/335;**  
D28/13

[58] Field of Search ..... D28/13-18; D8/29.1;  
392/383-385; 34/96-98; 132/212, 271,  
272; D23/328, 332, 335, 326, 338

## [56] References Cited

### U.S. PATENT DOCUMENTS

D. 238,213	12/1975	Kahn	.....	D28/13
D. 240,561	7/1976	Dybala	.....	D28/13
D. 253,011	9/1979	Wistrand	.....	D28/18 X
D. 343,920	2/1994	Bland	.....	D28/13
D. 353,224	12/1994	Rizzuto, Jr.	.....	D28/13
D. 360,282	7/1995	Anzuoni, Jr. et al.	.....	D28/15
4,615,347	10/1986	Schooley	.....	34/97 X
4,827,105	5/1989	Brown, Jr.	.....	34/97 X
5,195,253	3/1993	Poumey et al.	.....	34/97
5,274,215	12/1993	Jackson	.....	219/439
5,276,310	1/1994	Schmidt et al.	.....	219/521
5,473,824	12/1995	Prehodka	.....	34/97

## FOREIGN PATENT DOCUMENTS

400 381	12/1990	European Pat. Off.	.
L16 867	12/1955	Germany	.
112430	10/1925	Switzerland	..... 34/96

## OTHER PUBLICATIONS

Evans 1980-81 Cat. p. 350: Conair dryer No. 1.  
Evans 1988-89 Cat. p. 205y: Vidal Sassoon hair dryers Nos.  
4 and 5.

*Primary Examiner*—Ted Shooman  
*Assistant Examiner*—C. Tuttle  
*Attorney, Agent, or Firm*—Dennis H. Lambert

## [57] CLAIM

The ornamental design for a portable heater-blower, as shown and described.

## DESCRIPTION

FIG. 1 is a front, top and side perspective view of the portable heater-blower embodying the design of the present invention;

FIG. 2 is a front elevational view thereof;

FIG. 3 is a rear elevational view thereof;

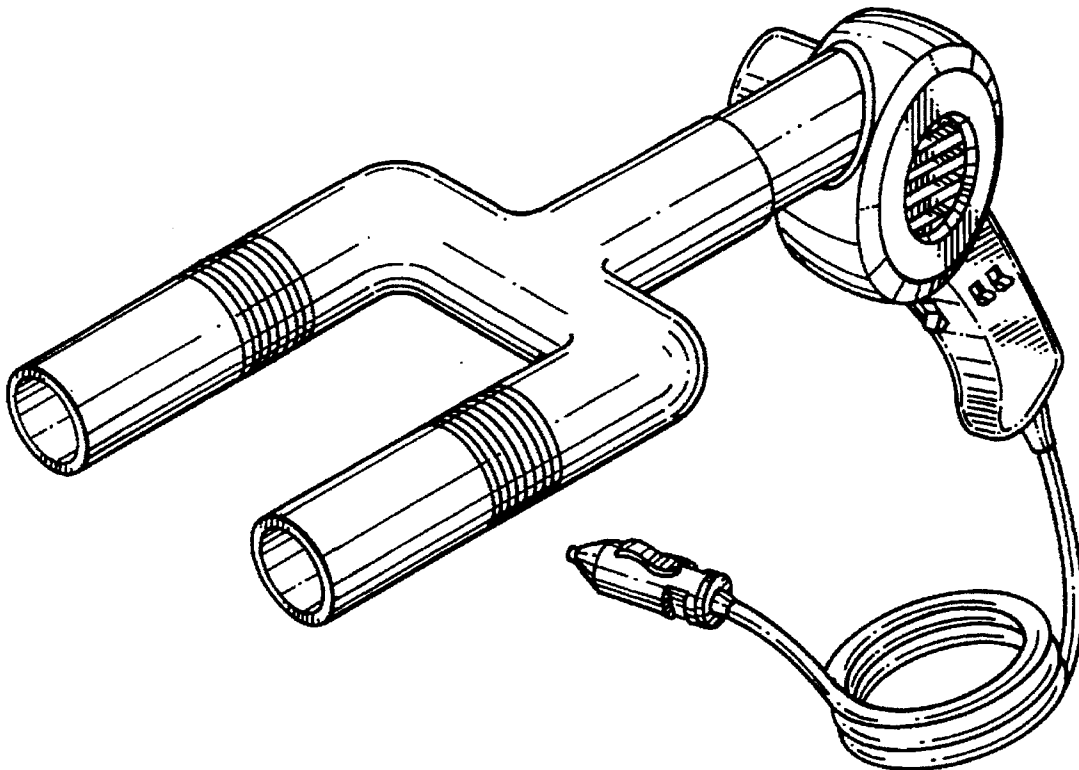
FIG. 4 is a left hand side elevational view thereof;

FIG. 5 is a right hand side elevational view thereof;

FIG. 6 is a top plan view thereof; and,

FIG. 7 is a bottom plan view thereof.

1 Claim, 7 Drawing Sheets



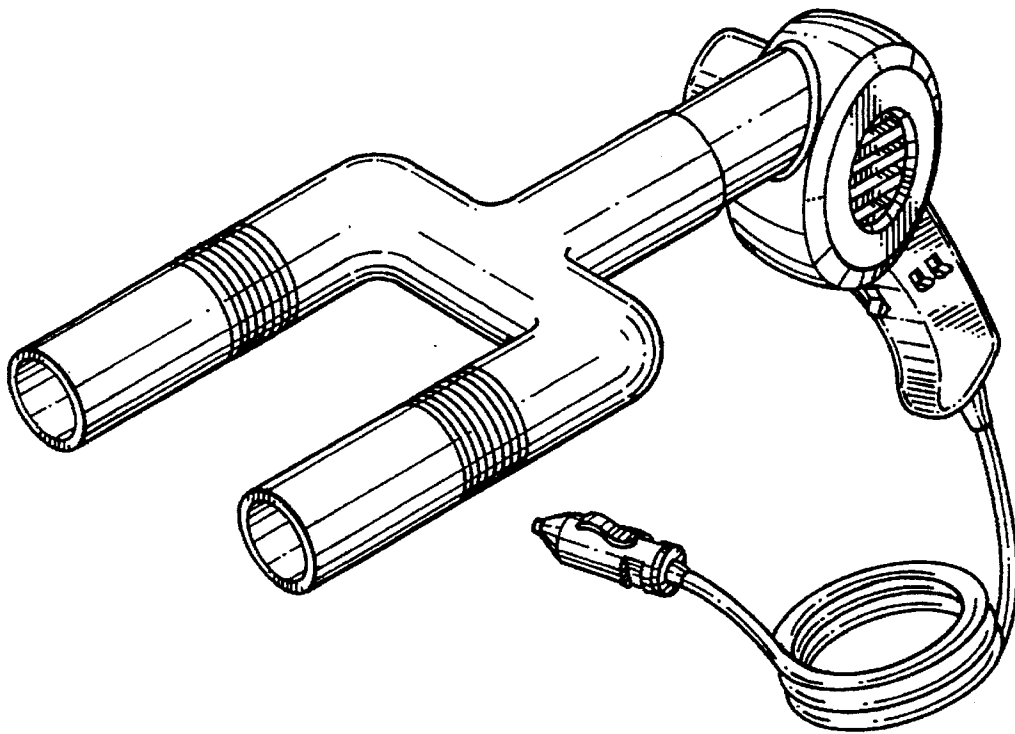


FIG.1.

FIG. 2.

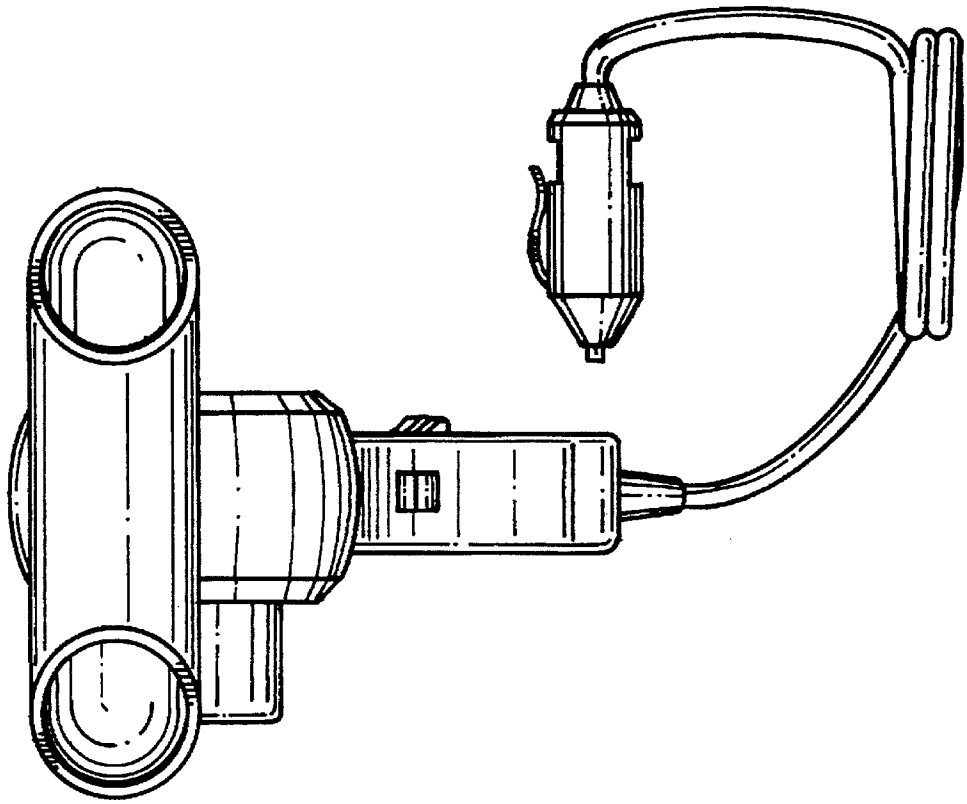


FIG. 3.

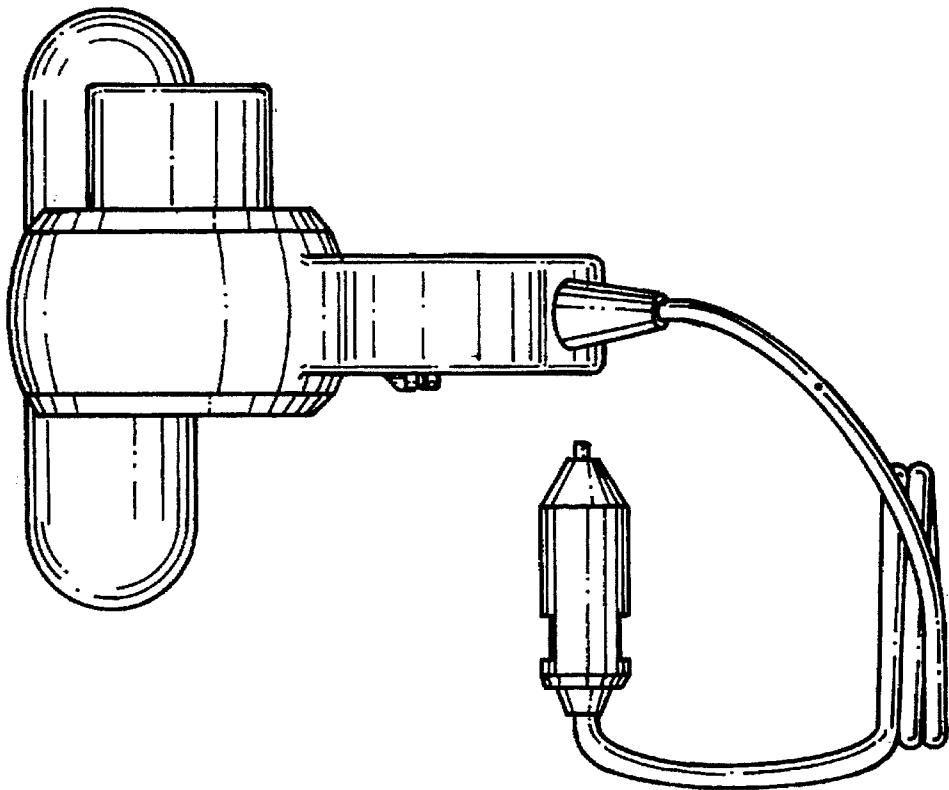


FIG. 4.

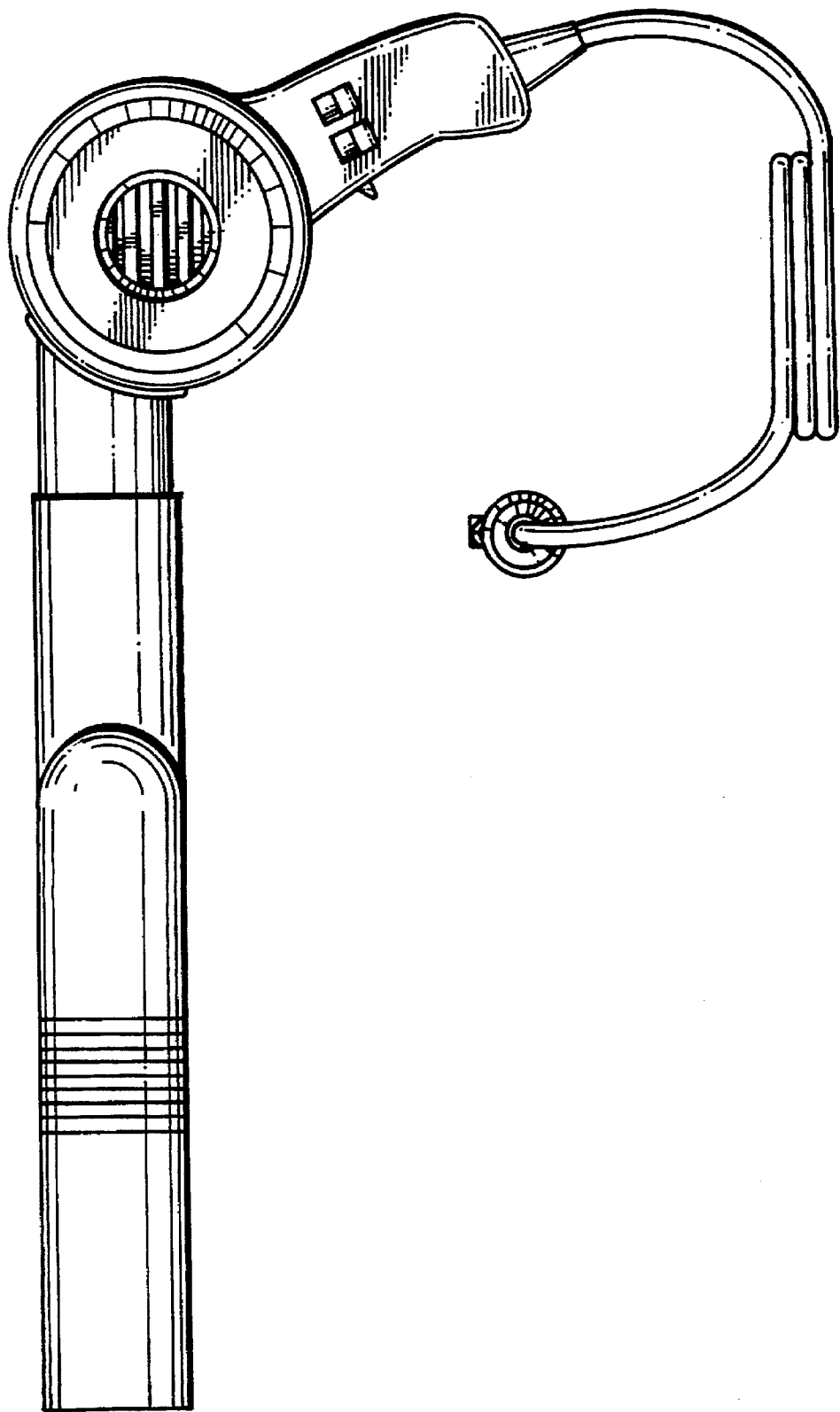


FIG. 5.

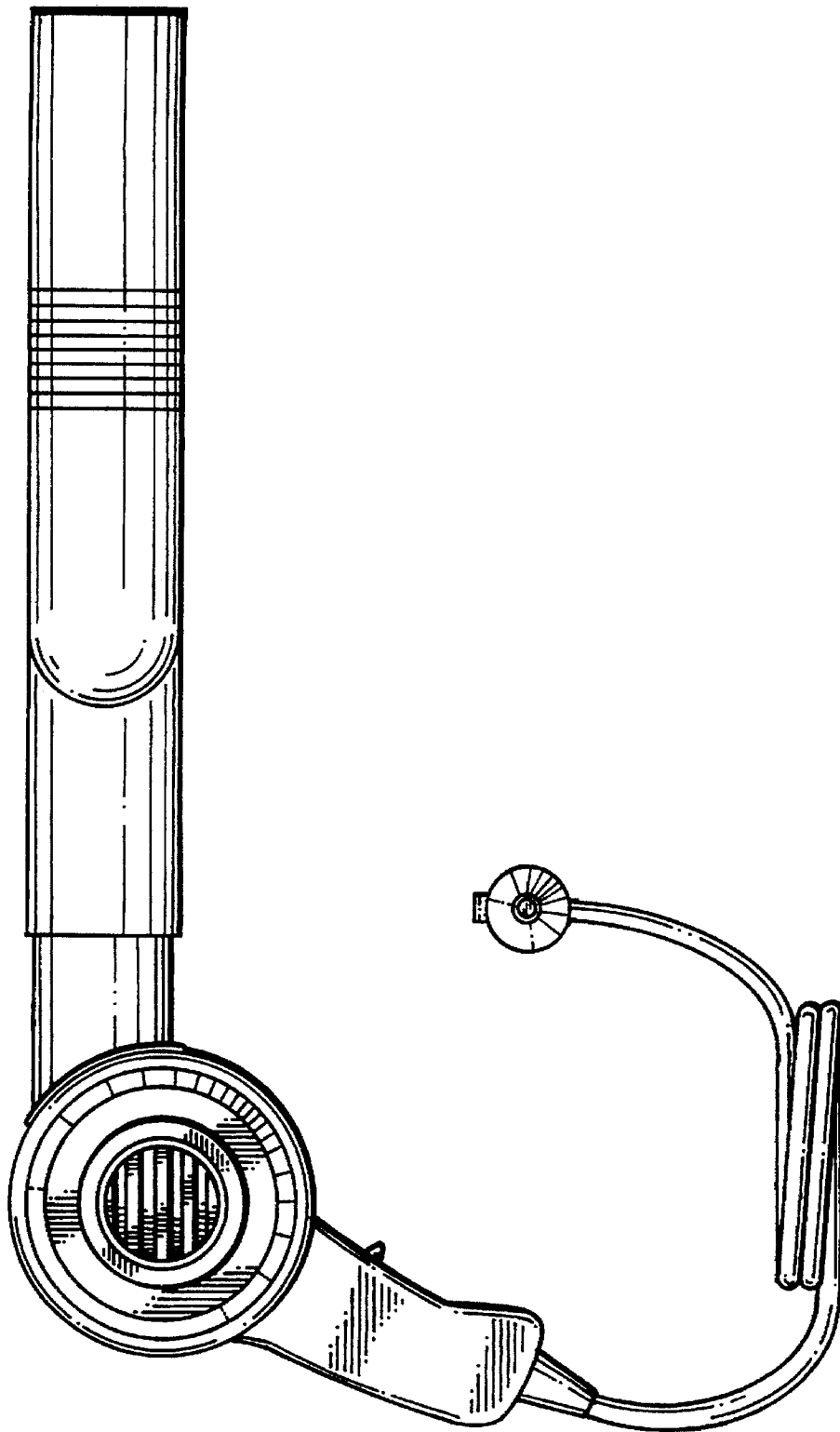


FIG. 6.

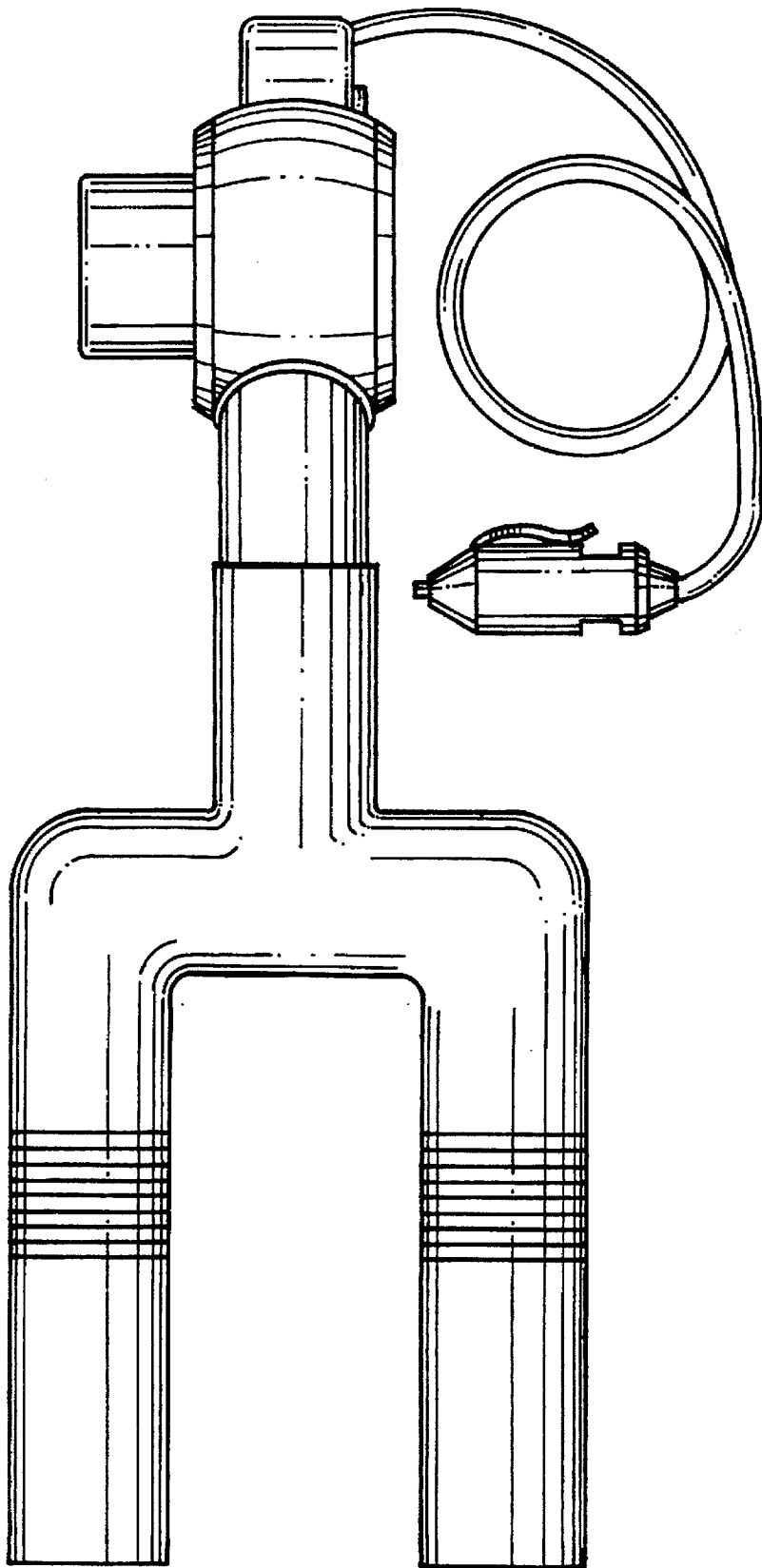


FIG. 7.

