



US00D682225S

(12) **United States Design Patent**
Bergmann et al.

(10) **Patent No.:** **US D682,225 S**

(45) **Date of Patent:** **** *May 14, 2013**

(54) **LIGHT EMITTING DIODE**

(75) Inventors: **Michael Bergmann**, Chapel Hill, NC (US); **Kevin Haberern**, Cary, NC (US); **Matthew Donofrio**, Raleigh, NC (US); **Christopher D. Williams**, Morrisville, NC (US); **Kevin Shawne Schnelder**, Cary, NC (US)

(73) Assignee: **Cree, Inc.**, Durham, NC (US)

(*) Notice: This patent is subject to a terminal disclaimer.

(**) Term: **14 Years**

(21) Appl. No.: **29/383,910**

(22) Filed: **Jan. 24, 2011**

(51) **LOC (9) Cl.** **13-03**

(52) **U.S. Cl.**
USPC **D13/180**

(58) **Field of Classification Search** D13/180;
D1/100, 121, 127; D3/314; D9/430, 431, D9/432; D25/113, 118; D26/1, 2; 257/79, 257/80, 81, 88, 89, 95, 98, 99, 100, E33.058; 313/483, 498, 500; 362/555, 800

See application file for complete search history.

(56) **References Cited**

U.S. PATENT DOCUMENTS

D264,792	S	*	6/1982	Conti	D7/584
D283,399	S	*	4/1986	Forbes, Jr.	D9/416
D305,410	S	*	1/1990	Tyler	D9/425
D327,234	S	*	6/1992	Vaughn	D11/143
5,309,001	A	*	5/1994	Watanabe et al.	257/99
6,518,598	B1	*	2/2003	Chen	257/91
6,518,601	B2	*	2/2003	Wirth	257/98
D495,116	S	*	8/2004	Trocme	D1/127
6,847,052	B2	*	1/2005	Fan et al.	257/79
7,319,044	B2	*	1/2008	Han et al.	438/22

D566,057	S	*	4/2008	Edmond et al.	D13/180
D580,888	S	*	11/2008	Liu	D13/180
D582,865	S	*	12/2008	Edmond et al.	D13/180
D599,748	S	*	9/2009	Liu	D13/180
D601,102	S	*	9/2009	Onikiri et al.	D13/180
D602,451	S	*	10/2009	Gielen	D13/180
D609,653	S	*	2/2010	Watanabe et al.	D13/180
D615,505	S	*	5/2010	Butterworth et al.	D13/180
7,714,334	B2	*	5/2010	Lin	257/81
D620,897	S	*	8/2010	Shan et al.	D13/180
D621,801	S	*	8/2010	Hsieh	D13/180
D622,679	S	*	8/2010	Hsieh	D13/180
D623,152	S	*	9/2010	Hwang et al.	D13/180
D624,510	S	*	9/2010	Liu et al.	D13/180
7,795,623	B2	*	9/2010	Emerson et al.	257/79
D627,311	S	*	11/2010	Lai et al.	D13/180
D627,747	S	*	11/2010	Chu et al.	D13/180
D628,540	S	*	12/2010	Tsou	D13/180
D633,876	S	*	3/2011	Shan et al.	D13/180

(Continued)

Primary Examiner — Selina Sikder

(74) *Attorney, Agent, or Firm* — Myers Bigel Sibley & Sajovec, PA

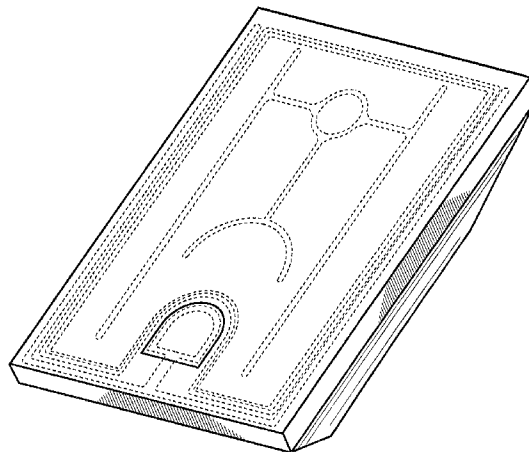
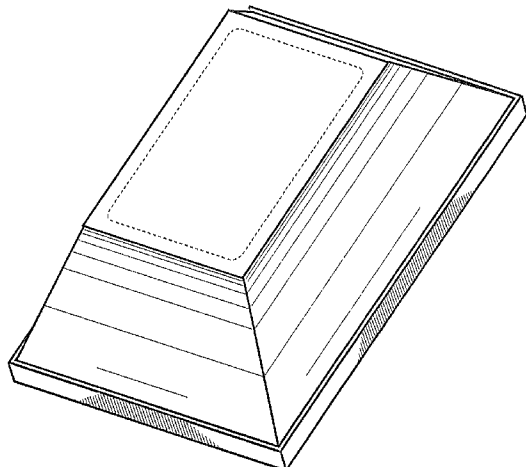
(57) **CLAIM**

The ornamental design for an light emitting diode, as shown and described.

DESCRIPTION

FIG. 1 is a top perspective view of an light emitting diode showing our design;
FIG. 2 is a bottom perspective view thereof;
FIG. 3 is a top view thereof;
FIG. 4 is a side view thereof;
FIG. 5 is an opposing side view thereof;
FIG. 6 is a front view thereof;
FIG. 7 is bottom view thereof; and,
FIG. 8 is a back view thereof.
The broken lines shown herein are for illustrative purposes only and form no part of the claimed design.

1 Claim, 3 Drawing Sheets



US D682,225 S

Page 2

U.S. PATENT DOCUMENTS			
D645,008	S *	9/2011	Shan et al. D13/180
8,017,963	B2 *	9/2011	Donofrio et al. 257/98
8,049,242	B2 *	11/2011	Lin et al. 257/98
			2003/0059972 A1* 3/2003 Ikeda et al. 438/47
			2006/0284191 A1* 12/2006 Yang et al. 257/79

* cited by examiner

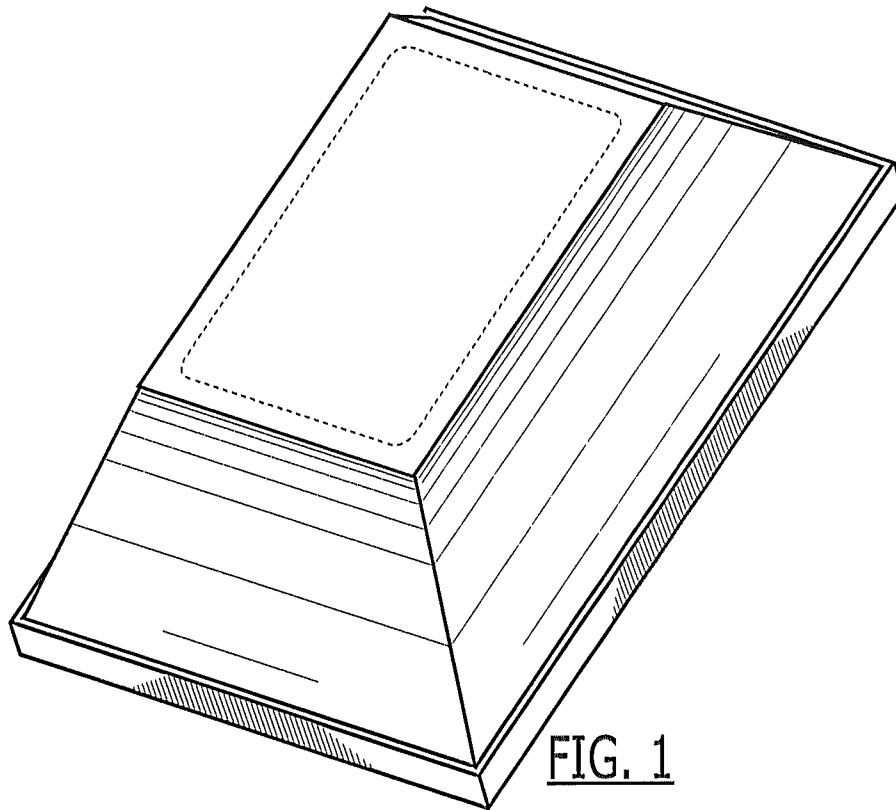


FIG. 1

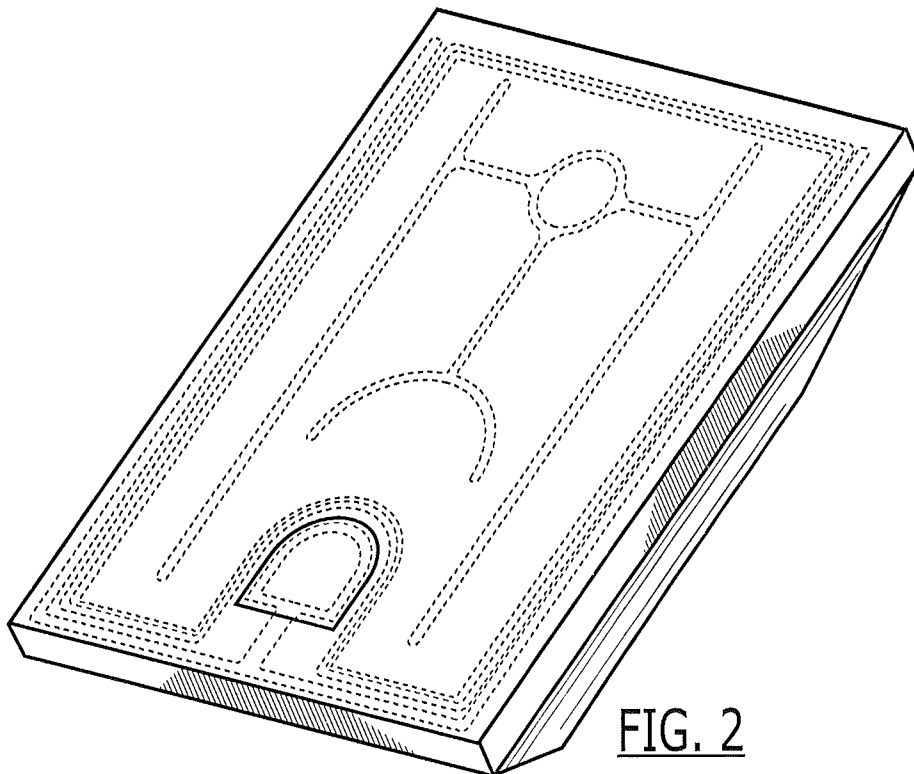


FIG. 2

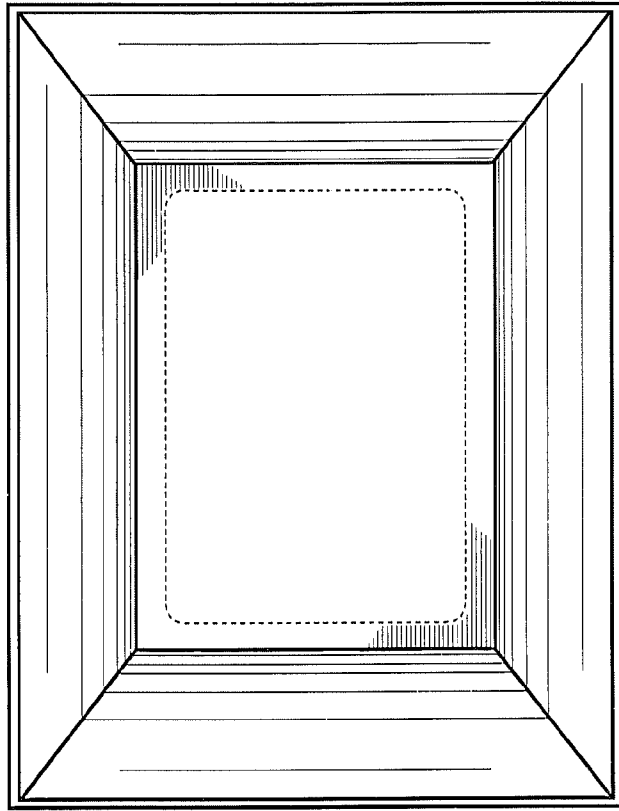


FIG. 3

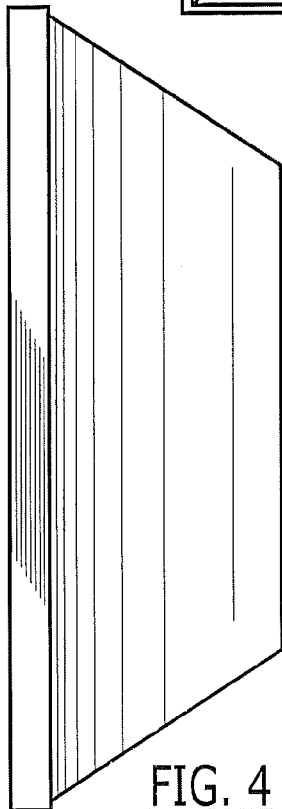


FIG. 4

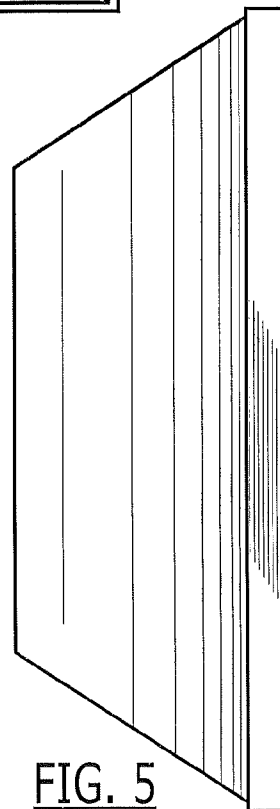


FIG. 5

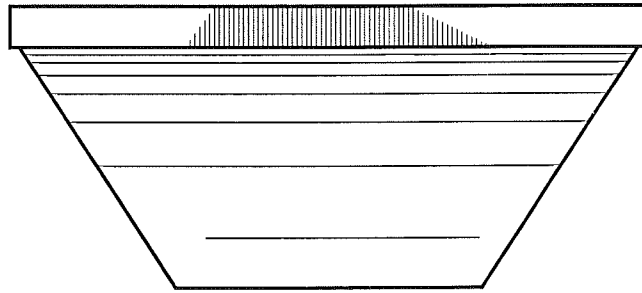


FIG. 6

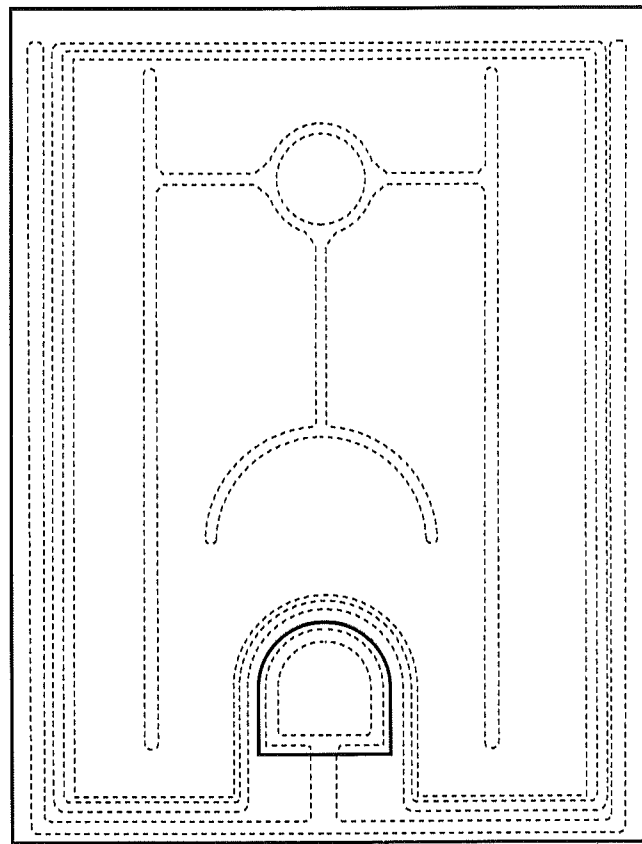


FIG. 7

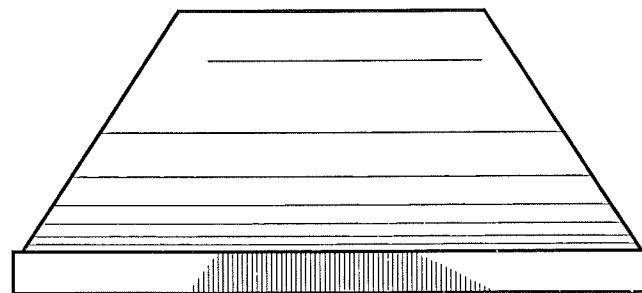


FIG. 8