



US00D644422S

(12) **United States Design Patent**
Selbiger

(10) **Patent No.:** **US D644,422 S**

(45) **Date of Patent:** **** Sep. 6, 2011**

(54) **FOOTWEAR UPPER**

(75) Inventor: **Larry Selbiger**, Portland, OR (US)

(73) Assignee: **Deckers Outdoor Corporation**, Goleta, CA (US)

(**) Term: **14 Years**

(21) Appl. No.: **29/387,429**

(22) Filed: **Mar. 14, 2011**

(51) **LOC (9) Cl.** **02-99**

(52) **U.S. Cl.** **D2/969; D2/916**

(58) **Field of Classification Search** D02/900,
D02/916-919, 946, 969, 974, 896; 36/45,
36/11.5, 90, 101, 3 A, 50.1, 141, 43, 44, 3 B
See application file for complete search history.

(56) **References Cited**

U.S. PATENT DOCUMENTS

736,194	A	*	8/1903	Bassett	36/11.5
D169,015	S	*	3/1953	SSicca	D2/917
D169,535	S	*	5/1953	Disch	D2/918
3,275,002	A		9/1966	Schöll		
D217,083	S	*	4/1970	Engleburt	D2/917
D271,155	S	*	11/1983	Mansour	D2/916
D451,663	S		12/2001	Haas		
D452,363	S	*	12/2001	Mansour	D2/916
D503,848	S	*	4/2005	Le et al.	D2/969
D504,558	S	*	5/2005	Le et al.	D2/969
D532,589	S		11/2006	Belley		
D535,091	S		1/2007	Matis		

D560,346	S		1/2008	Belley		
D563,091	S		3/2008	St. Louis		
D563,658	S		3/2008	St. Louis		
D564,196	S		3/2008	Matis		
D565,287	S	*	4/2008	Belley et al.	D2/969
D566,954	S		4/2008	St. Louis		
D569,081	S	*	5/2008	Haft et al.	D2/919
D593,286	S		6/2009	Del Biondi		

* cited by examiner

Primary Examiner — Rob Spear

Assistant Examiner — Rashida C McCoy

(74) *Attorney, Agent, or Firm* — Greer, Burns & Crain, Ltd.

(57) **CLAIM**

The ornamental design for a footwear upper, as shown and described.

DESCRIPTION

FIG. 1 is a top perspective view of a footwear upper showing my new design;

FIG. 2 is a first side elevational view thereof;

FIG. 3 is an opposite side elevational view thereof;

FIG. 4 is a front elevational view thereof;

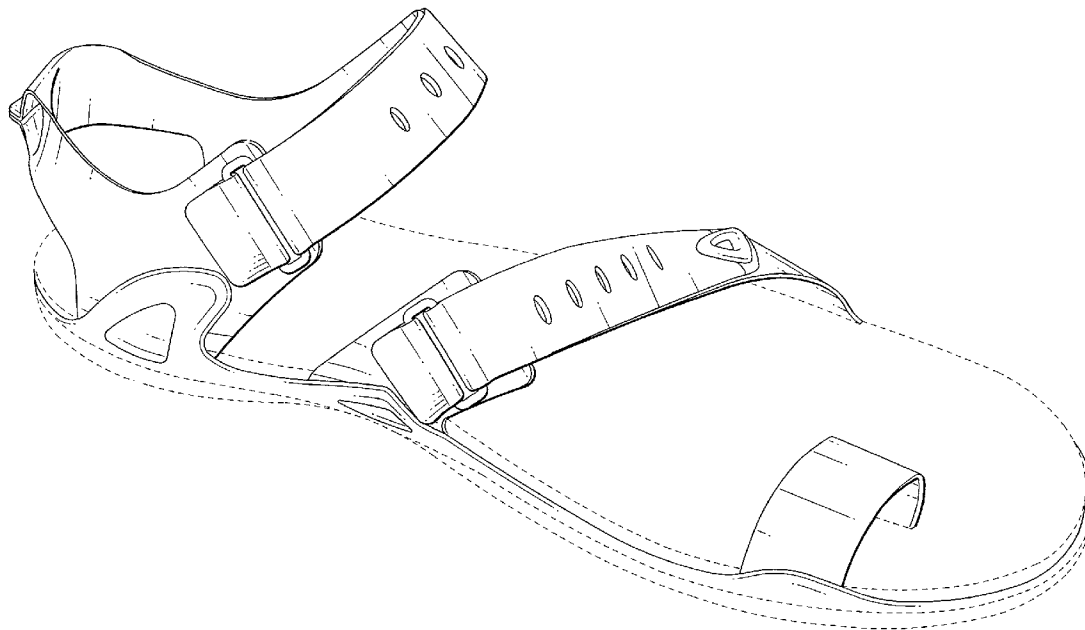
FIG. 5 is a rear elevational view thereof;

FIG. 6 is a top plan view thereof; and,

FIG. 7 is a bottom plan view thereof.

The broken line around the outsole perimeter forms a boundary of the claimed design and forms no part of the claimed design. The broken lines showing the footwear outsole and the footwear insole form no part of the claimed design.

1 Claim, 6 Drawing Sheets



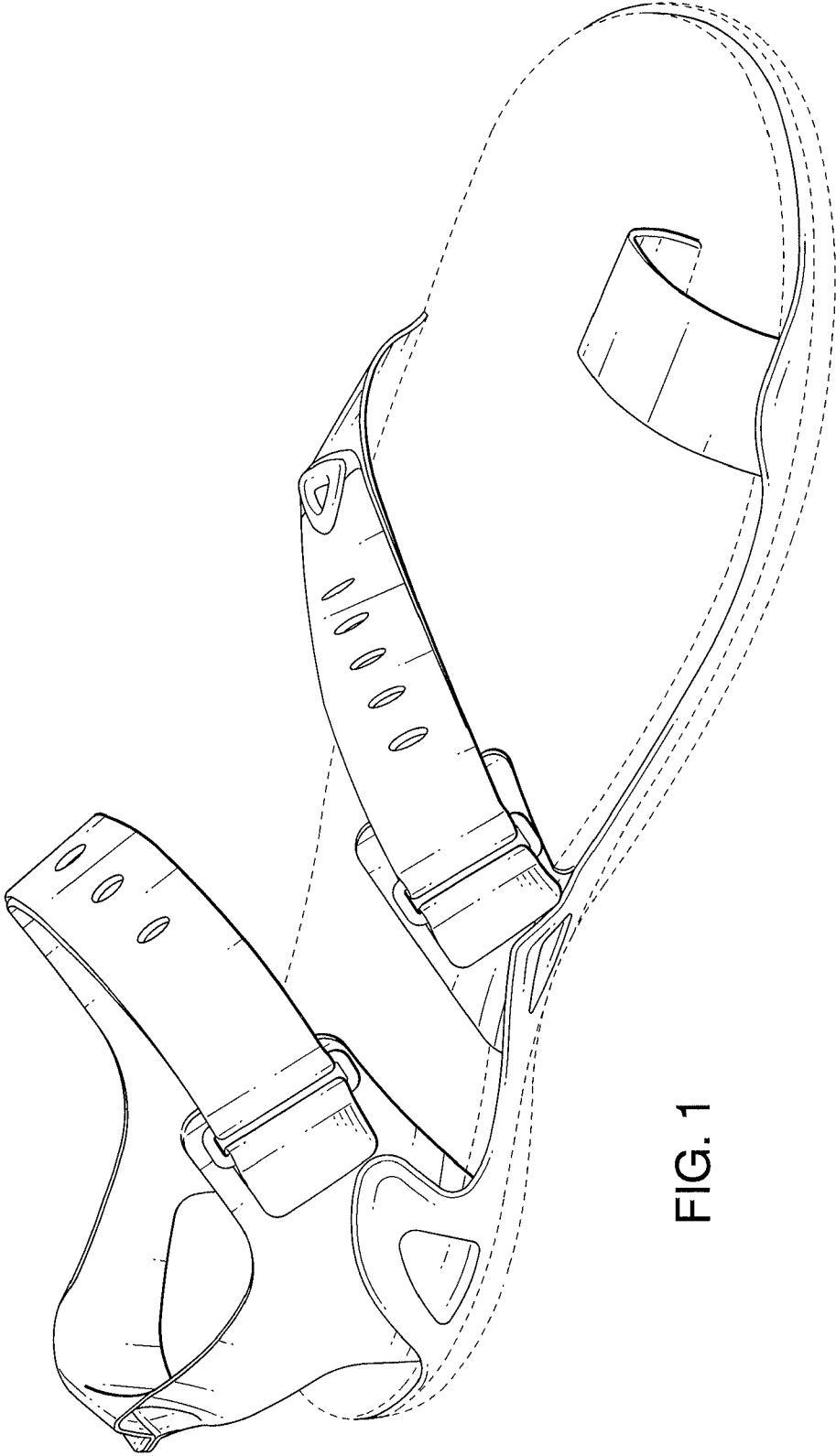


FIG. 1

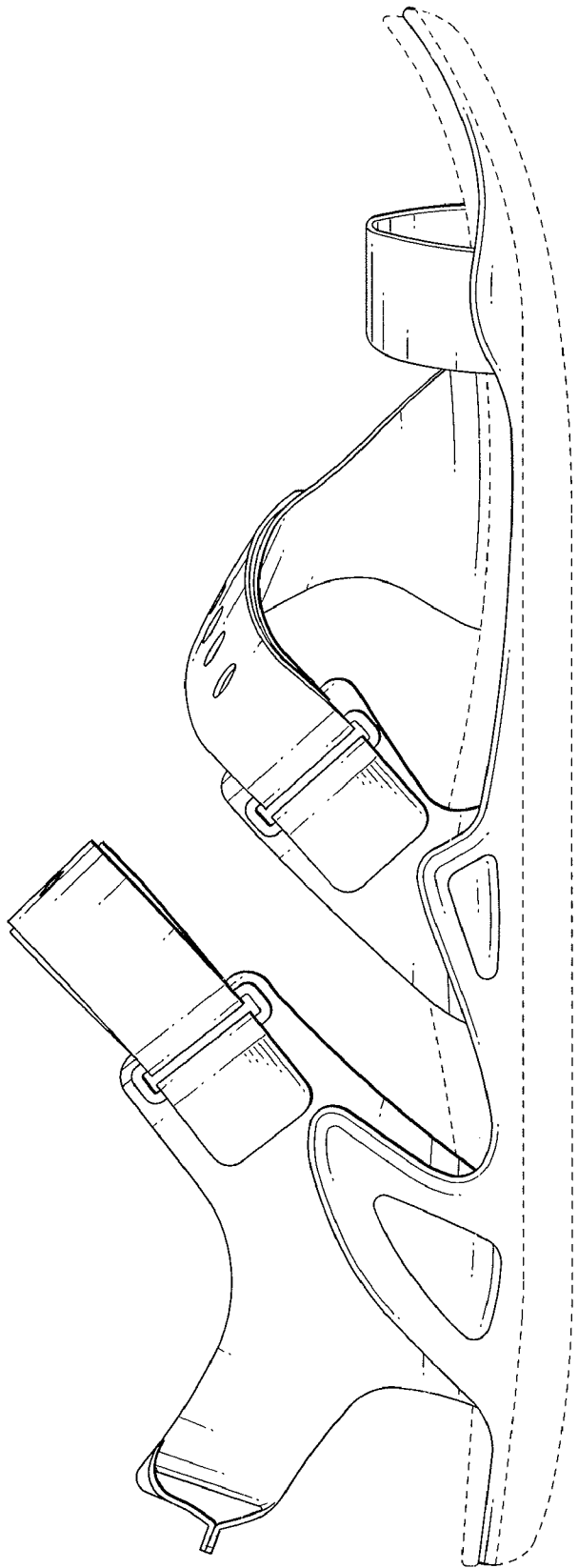


FIG. 2

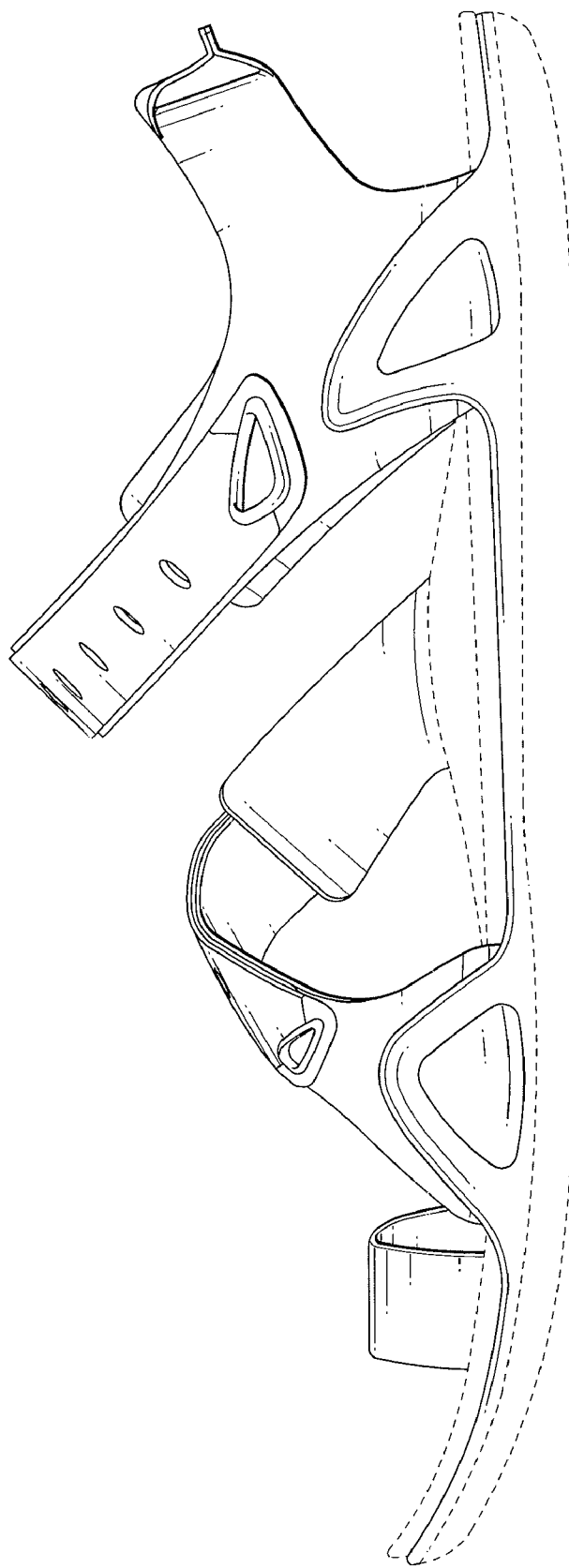


FIG. 3

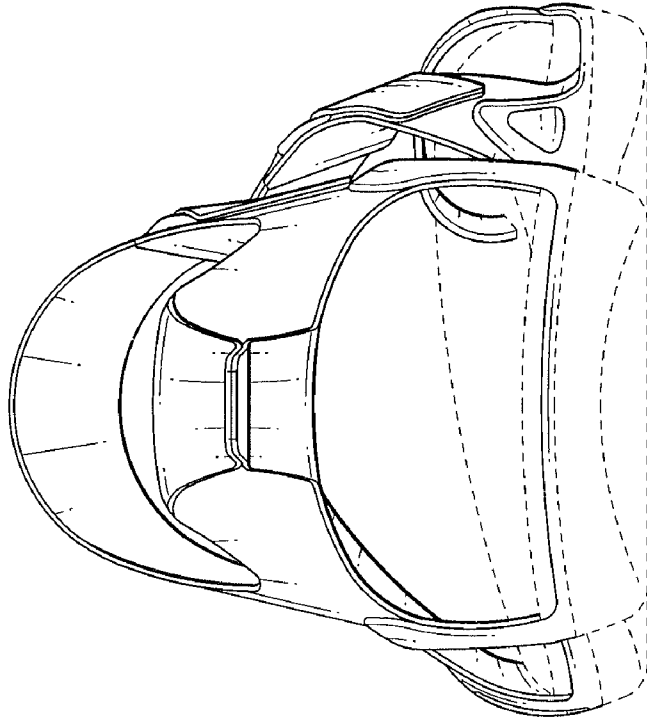


FIG. 5

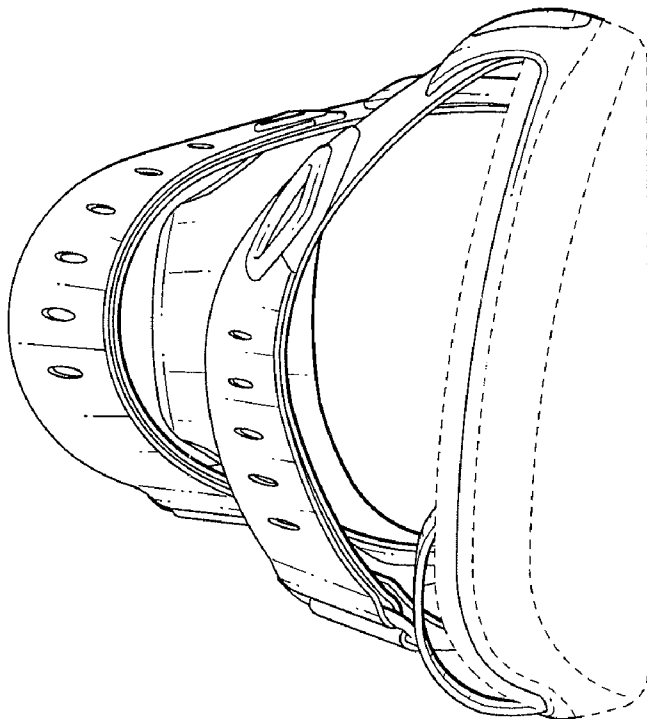


FIG. 4

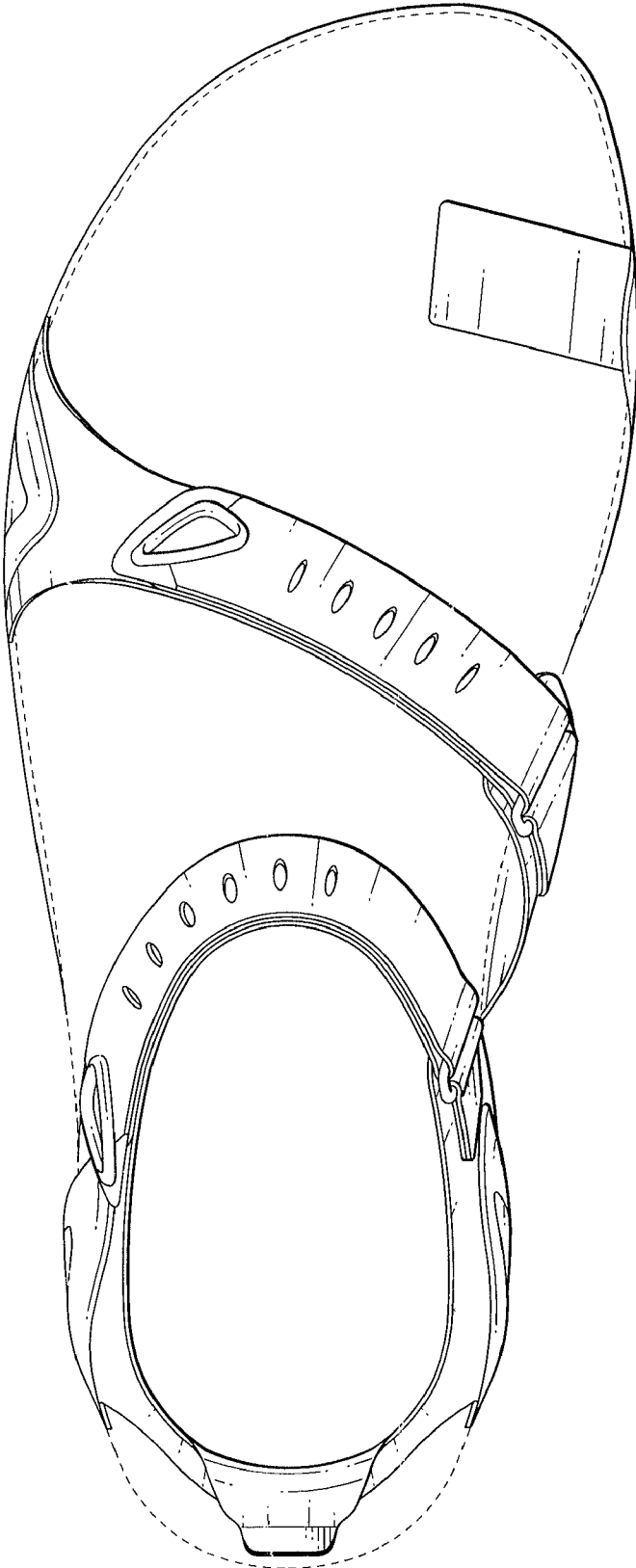


FIG. 6

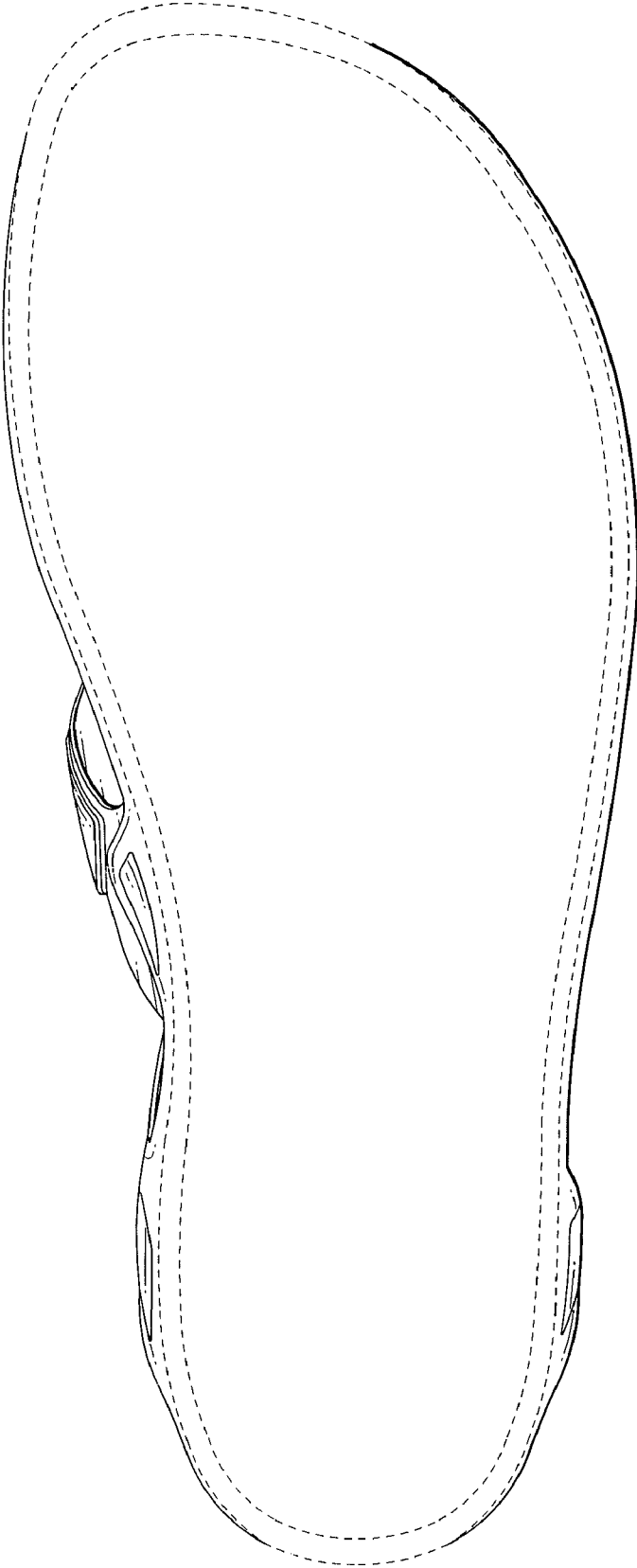


FIG. 7