



US00D465716S

(12) **United States Design Patent**  
**Hsieh**

(10) **Patent No.:** **US D465,716 S**

(45) **Date of Patent:** **\*\* Nov. 19, 2002**

(54) **HAND POWER PULLER HANDLE**

D436,828 S \* 1/2001 Benktzon et al. .... D8/107

D436,829 S \* 1/2001 Benktzon et al. .... D8/107

D453,465 S \* 2/2002 Hsieh ..... D8/107

(76) Inventor: **Ching-Fong Hsieh**, P.O. Box 697,  
Feng-Yuan City 420 (TW)

(\*\*) Term: **14 Years**

\* cited by examiner

*Primary Examiner*—Alan P. Douglas

*Assistant Examiner*—Clare E Heflin

(21) Appl. No.: **29/154,245**

(22) Filed: **Jan. 23, 2002**

(57) **CLAIM**

The ornamental design for a hand power puller handle, as shown.

(51) **LOC (7) Cl.** ..... **08-04**

(52) **U.S. Cl.** ..... **D8/107**

(58) **Field of Search** ..... D8/82, 83, 87,  
D8/107, 303, 312; D7/393, 395, 642, 645;  
81/436-440, 177.1, 489, 417, 110.1, 421,  
422, 426, 430, 431

**DESCRIPTION**

FIG. 1 is a perspective view of a hand power puller handle showing my new design;

FIG. 2 is a right side elevational view thereof;

FIG. 3 is a top plan view thereof;

FIG. 4 is a front elevational view thereof;

FIG. 5 is a bottom plan view thereof;

FIG. 6 is a left side elevational view thereof; and,

FIG. 7 is a rear elevational view thereof.

(56) **References Cited**

**U.S. PATENT DOCUMENTS**

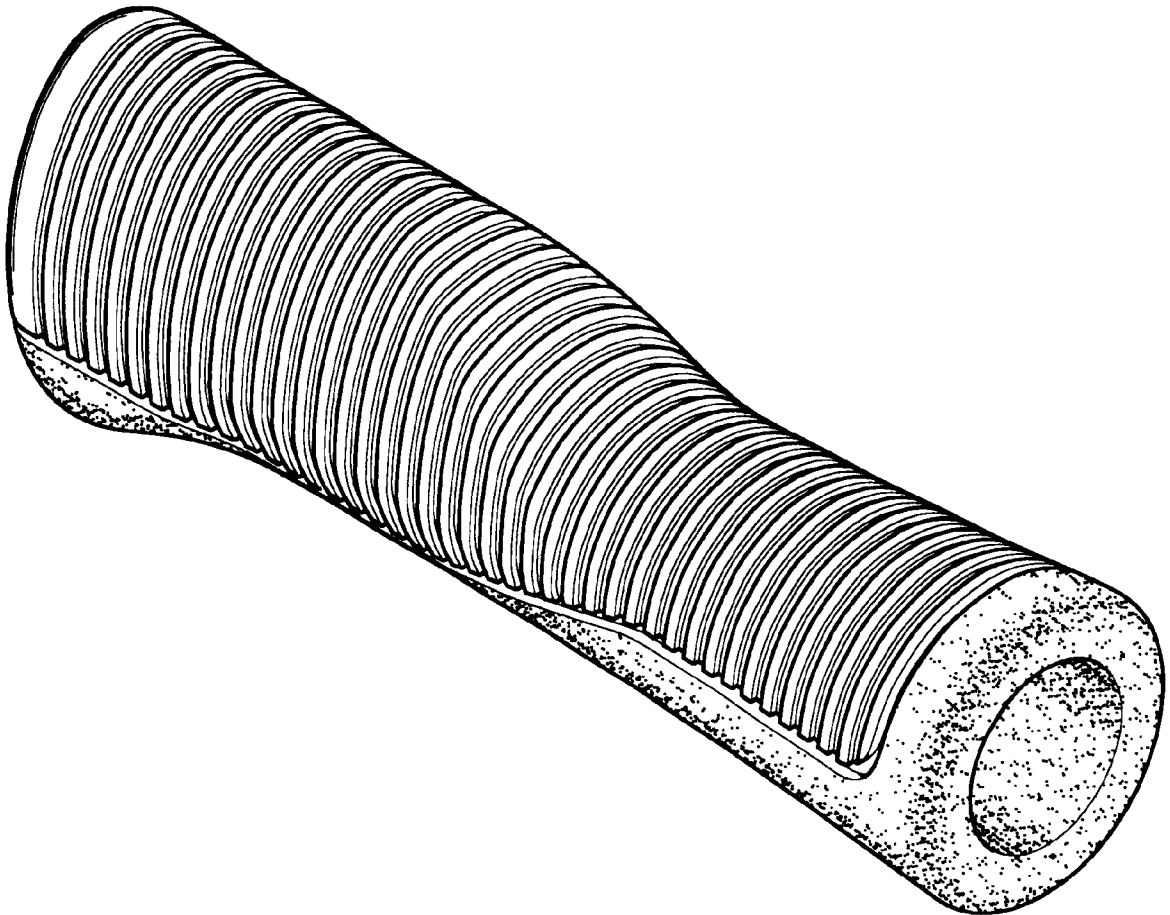
2,666,340 A \* 1/1954 Hunt ..... D8/303

D187,327 S \* 3/1960 Daemmer ..... D8/DIG. 3

D337,505 S \* 7/1993 Ming-Chang ..... D8/303

D429,990 S \* 8/2000 Kunkler ..... D8/303

**1 Claim, 4 Drawing Sheets**



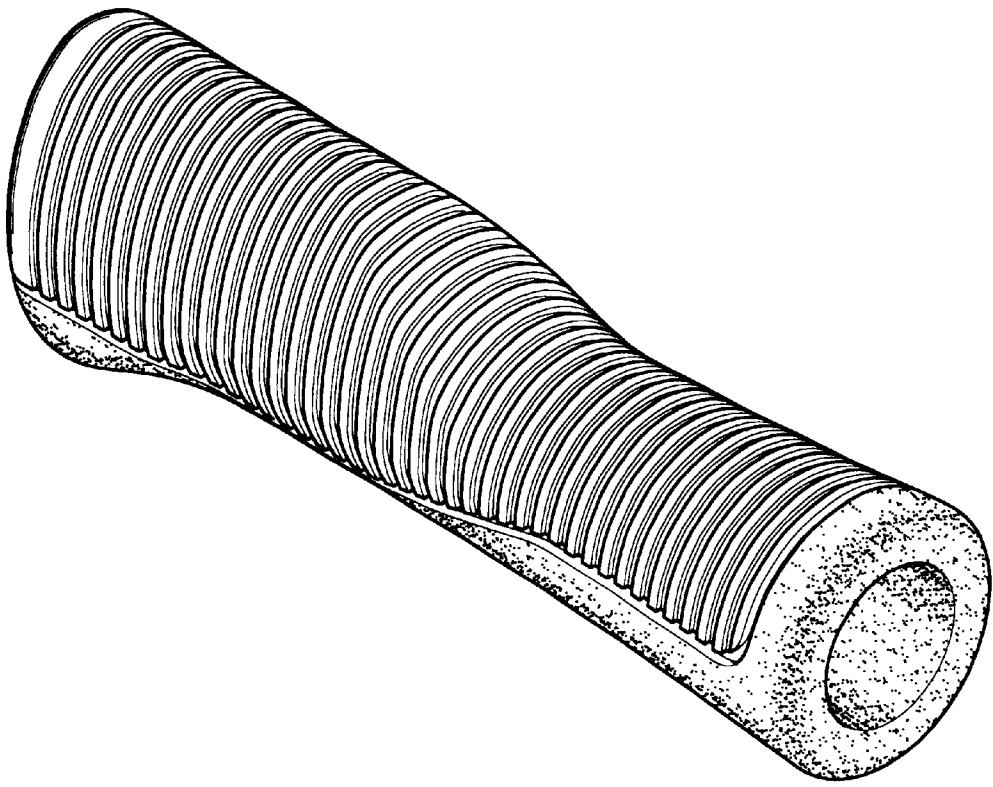


FIG. 1

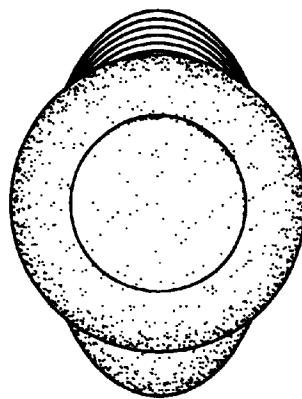


FIG. 2

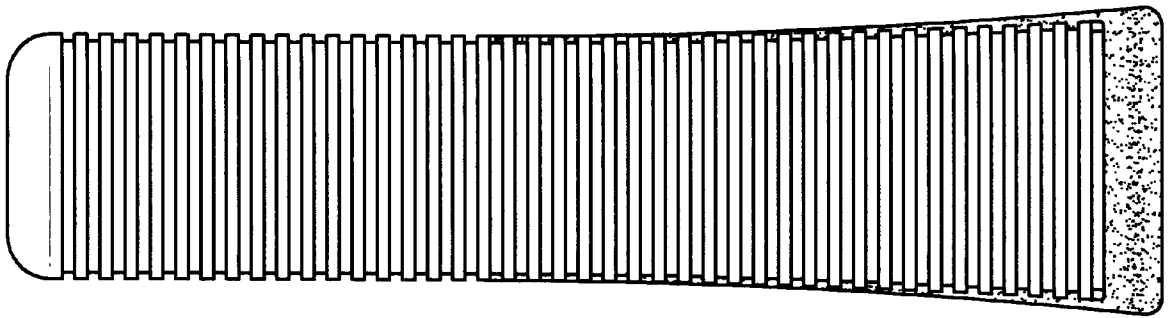


FIG. 3

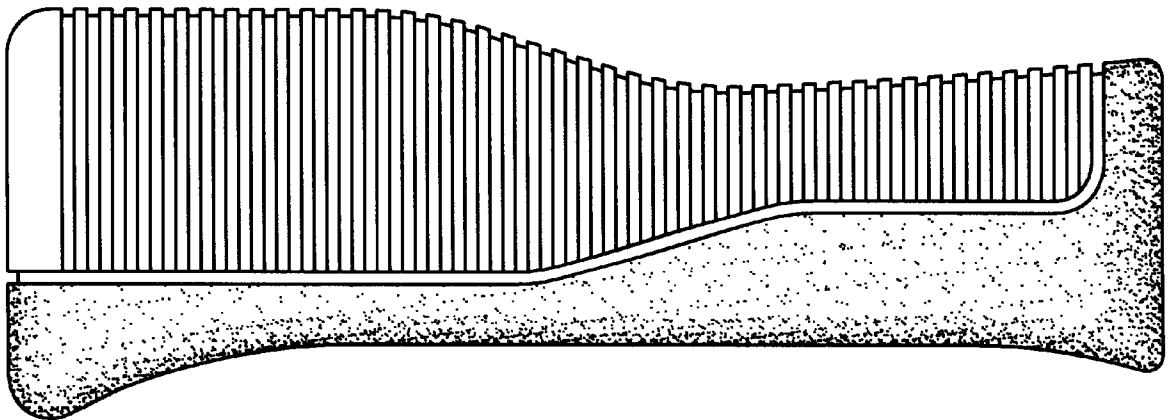


FIG. 4

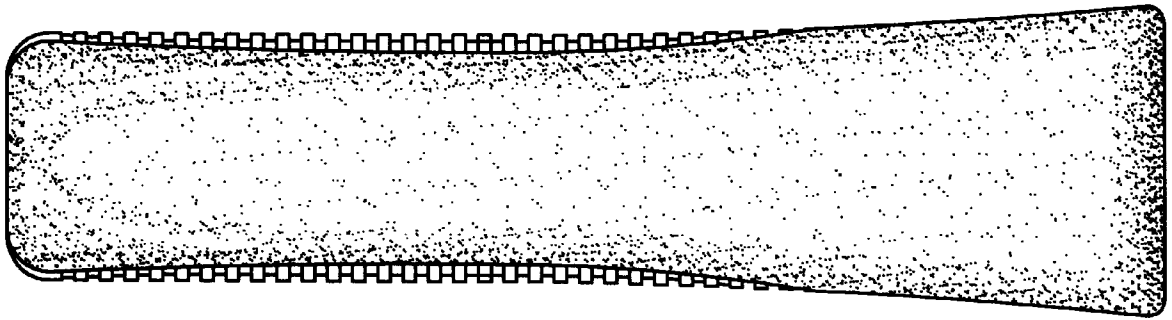


FIG. 5

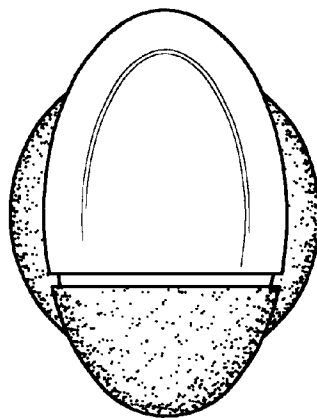


FIG. 6

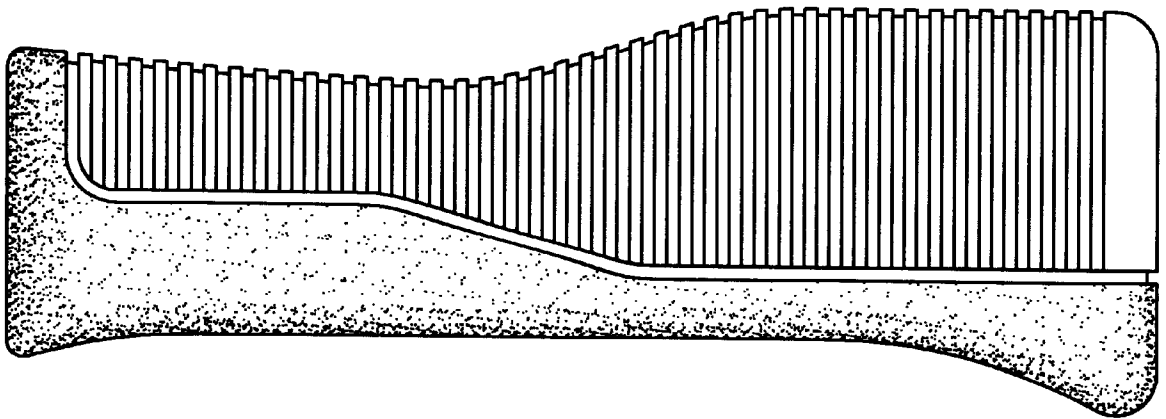


FIG. 7