



US00D852933S

(12) **United States Design Patent**  
**Garland**

(10) **Patent No.:** **US D852,933 S**

(45) **Date of Patent:** **\*\* Jul. 2, 2019**

(54) **FAUCET BASE**

(71) Applicant: **DELTA FAUCET COMPANY,**  
Indianapolis, IN (US)

(72) Inventor: **Celine Kwok Garland,** Zionsville, IN  
(US)

(73) Assignee: **DELTA FAUCET COMPANY,**  
Indianapolis, IN (US)

(\*\*) Term: **15 Years**

(21) Appl. No.: **29/632,420**

(22) Filed: **Jan. 8, 2018**

(51) **LOC (11) Cl.** ..... **23-01**

(52) **U.S. Cl.**  
USPC ..... **D23/249**

(58) **Field of Classification Search**  
USPC ..... D23/238–243, 249–250, 252, 254;  
D8/300, 307–308  
CPC . Y10T 137/9464; Y10T 137/602; E03C 1/04;  
E03C 1/02; E03C 1/0404; E03C 1/0411;  
E03C 1/0412; E03C 1/042; E03C 1/0413;  
E03C 1/0409  
See application file for complete search history.

(56) **References Cited**

**U.S. PATENT DOCUMENTS**

D540,918 S \* 4/2007 Haug ..... D23/241  
D685,880 S \* 7/2013 Fritz ..... D23/242

D686,705 S \* 7/2013 Fritz ..... D23/252  
D793,538 S \* 8/2017 Fritz ..... D23/252  
D797,245 S \* 9/2017 Downey ..... D23/242  
D810,884 S \* 2/2018 Garland ..... D23/252

\* cited by examiner

*Primary Examiner* — Robert A Delehanty

(74) *Attorney, Agent, or Firm* — Edgar A. Zarins; Nirav  
D. Parikh

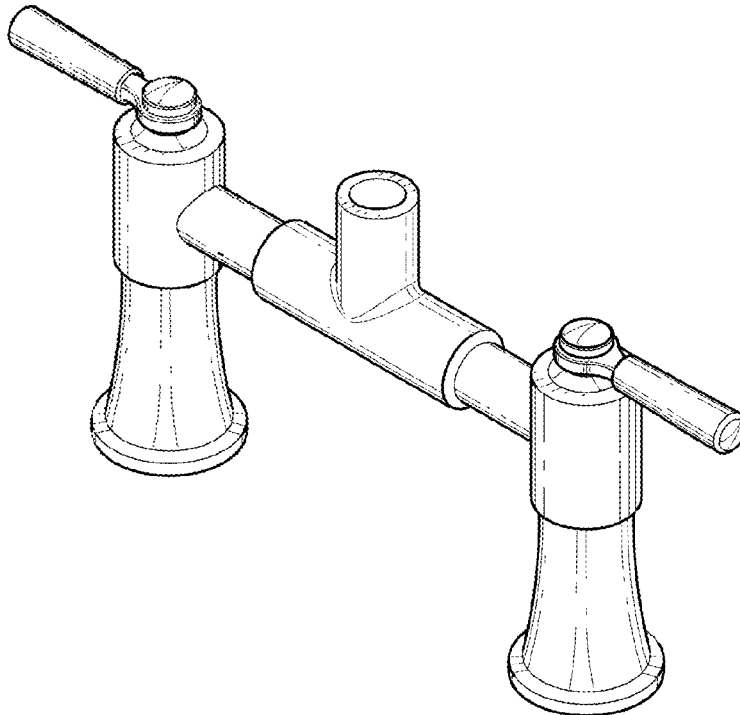
(57) **CLAIM**

The ornamental design for a faucet base, as shown and described.

**DESCRIPTION**

FIG. 1 is a perspective view of a faucet base showing my new design;  
FIG. 2 is a top plan view thereof;  
FIG. 3 is a first side view thereof, the opposite side being a mirror image of the side shown;  
FIG. 4 is a bottom view thereof; and,  
FIG. 5 is a first end view thereof, the opposite end being a mirror image of the end shown.  
The broken-line disclosure in the view represents a portion of the faucet base in which the claimed design is embodied, but which forms no part of the claimed design.

**1 Claim, 2 Drawing Sheets**



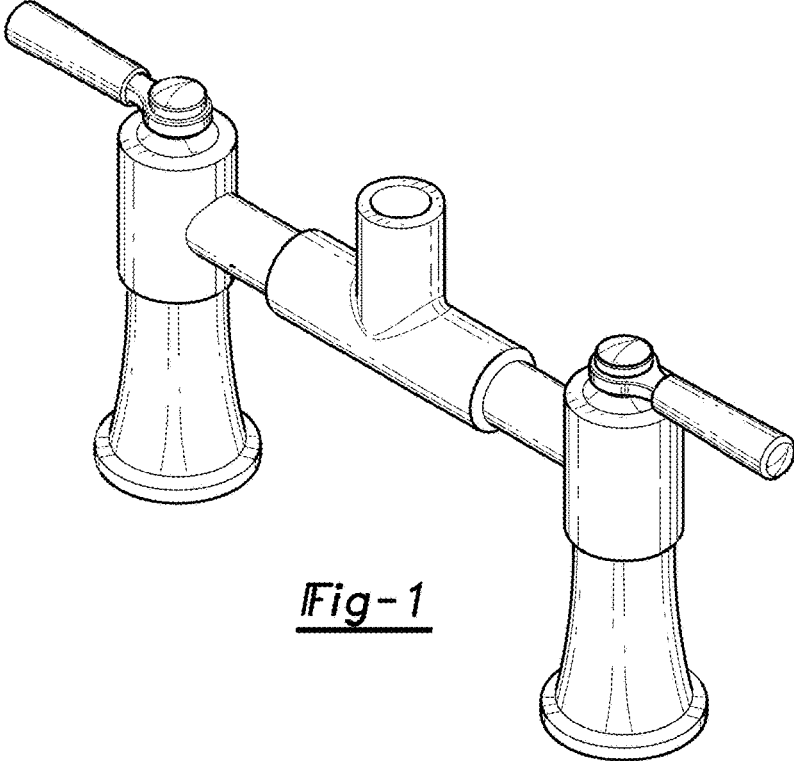


Fig-1

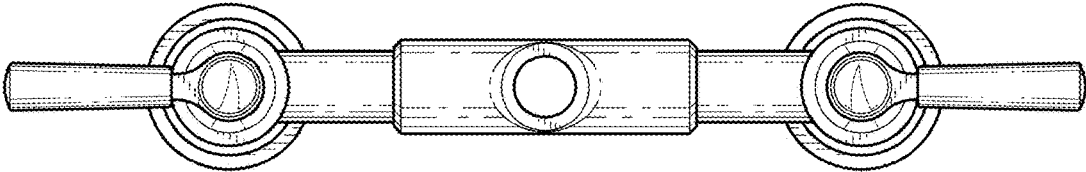


Fig-2

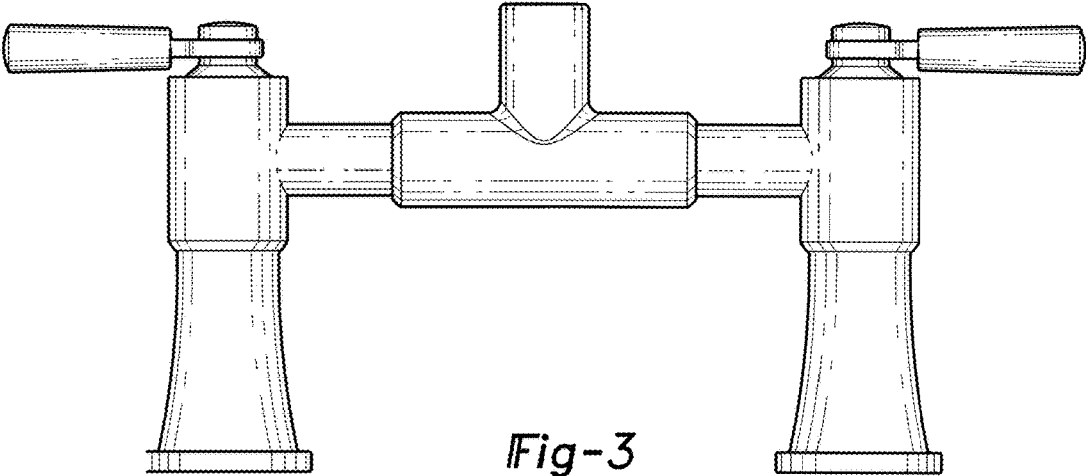


Fig-3

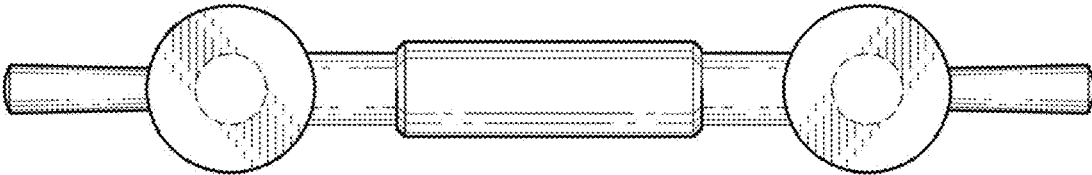


Fig-4

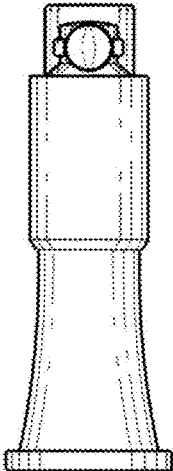


Fig-5