



US00D455078S

(12) **United States Design Patent**
Bretz et al.

(10) **Patent No.:** **US D455,078 S**

(45) **Date of Patent:** **** Apr. 2, 2002**

- (54) **BOTTLE PORTION**
- (75) Inventors: **John Bretz**, Crystal Lake; **Jeff Lichtman**, Chicago, both of IL (US)
- (73) Assignee: **Stokely-Van Camp, Inc.**, Chicago, IL (US)
- (**) Term: **14 Years**
- (21) Appl. No.: **29/136,547**
- (22) Filed: **Feb. 1, 2001**

- D308,482 S * 6/1990 Wild D9/557
- 5,064,081 A * 11/1991 Hayashi et al.
- 5,632,397 A * 5/1997 Fandoux et al. 215/382
- D382,806 S * 8/1997 Wilson et al. D9/502
- 5,704,503 A * 1/1998 Krishnakumar et al. 215/381
- 5,713,480 A * 2/1998 Petre et al. 215/373
- D410,197 S * 5/1999 Herrin et al. D9/538

* cited by examiner

Primary Examiner—Lucy Lieberman

(74) *Attorney, Agent, or Firm*—Lars S. Johnson

(57) **CLAIM**

The ornamental design for a bottle portion, as shown and described.

Related U.S. Application Data

- (62) Division of application No. 29/102,685, filed on Mar. 26, 1999.
- (51) **LOC (7) Cl.** **09-01**
- (52) **U.S. Cl.** **D9/502; D9/434; D9/557**
- (58) **Field of Search** D9/502, 557, 434, D9/538, 539–541; 215/382, 383, 384, 370–373

DESCRIPTION

FIG. 1 is a perspective view of a bottle portion embodying a new design;
 FIG. 2 is a front elevational view of the bottle portion depicted in FIG. 1, the side and rear elevational views being identical;
 FIG. 3 is a top plan view of the bottle portion depicted in FIG. 2; and,
 FIG. 4 is a bottom plan view of the bottle portion depicted in FIG. 2.

The broken line environmental showing is for illustrative purposes only and does not form part of the claimed design.

(56) **References Cited**

U.S. PATENT DOCUMENTS

- D240,593 S * 7/1976 Koenigsberg D9/557
- D241,713 S * 10/1976 Plummer D9/502
- D295,381 S * 4/1988 Papa D9/538
- 4,818,575 A * 4/1989 Hirata et al.
- D306,262 S * 2/1990 Bit D9/502
- 4,907,709 A * 3/1990 Abe et al.

1 Claim, 1 Drawing Sheet

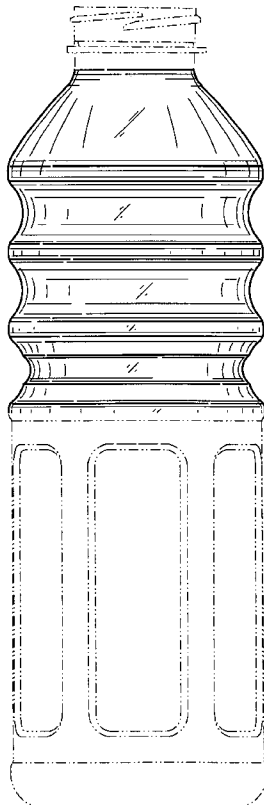


FIG. 1

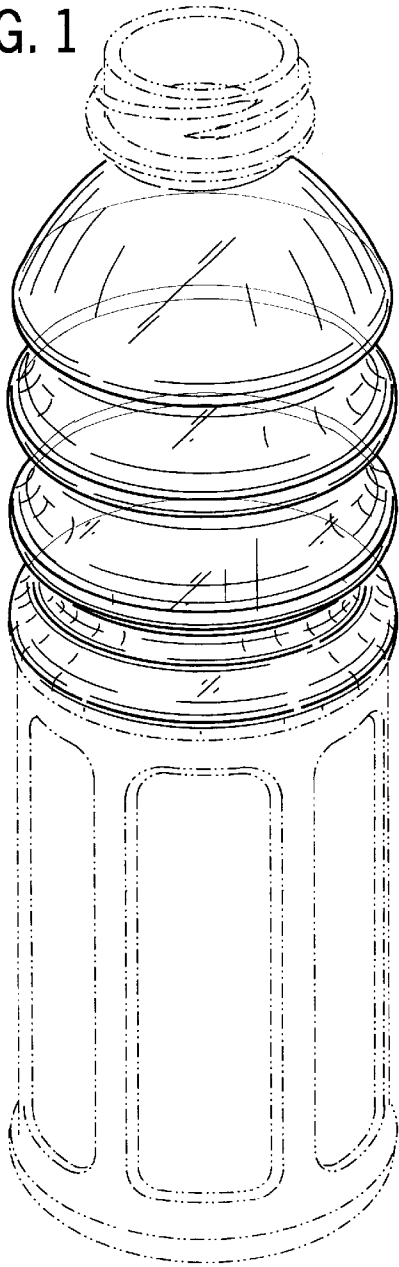


FIG. 2

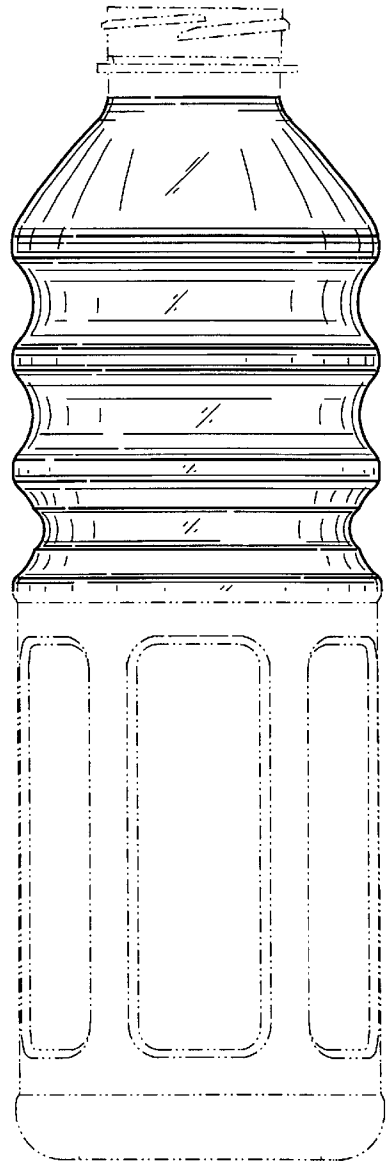


FIG. 3

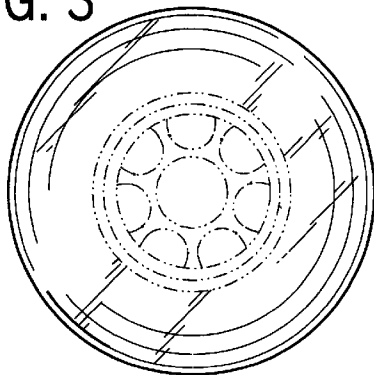


FIG. 4

