



US00D730099S

(12) **United States Design Patent**
Kubryk

(10) **Patent No.:** **US D730,099 S**

(45) **Date of Patent:** **** May 26, 2015**

(54) **TASK CHAIR**

(71) Applicant: **Isaac Kubryk**, Lockeford, CA (US)

(72) Inventor: **Isaac Kubryk**, Lockeford, CA (US)

(73) Assignee: **Global Allies**, Lockeford, CA (US)

(**) Term: **14 Years**

(21) Appl. No.: **29/503,955**

(22) Filed: **Sep. 30, 2014**

(51) **LOC (10) Cl.** **06-01**

(52) **U.S. Cl.**
USPC **D6/716**

(58) **Field of Classification Search**
CPC A47C 4/02; A47C 4/03; A47C 7/18;
A47C 3/12; A47C 5/12; A47C 7/54
USPC D6/334-336, 364, 365, 366, 371-375,
D6/379, 380, 716, 716.1, 716.2, 716.4
See application file for complete search history.

(56) **References Cited**

U.S. PATENT DOCUMENTS

D281,840 S * 12/1985 Ogg D6/366
D297,986 S * 10/1988 Jenkins D6/366
D300,483 S * 4/1989 Jenkins D6/366

D330,810 S * 11/1992 Stafford D6/366
D402,480 S * 12/1998 Stafford D6/366
D403,519 S * 1/1999 Stafford D6/366
D460,885 S * 7/2002 Silva D6/716
D546,595 S * 7/2007 Hutton D6/716
D603,177 S * 11/2009 Kubryk D6/366
D648,158 S * 11/2011 Kubryk D6/716
D654,732 S * 2/2012 Kubryk D6/716

* cited by examiner

Primary Examiner — Mimosa De

(74) *Attorney, Agent, or Firm* — Audrey A. Millemann;
Weintraub Tobin

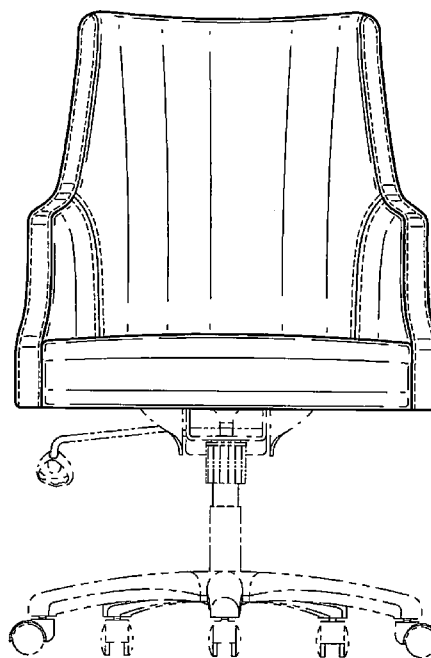
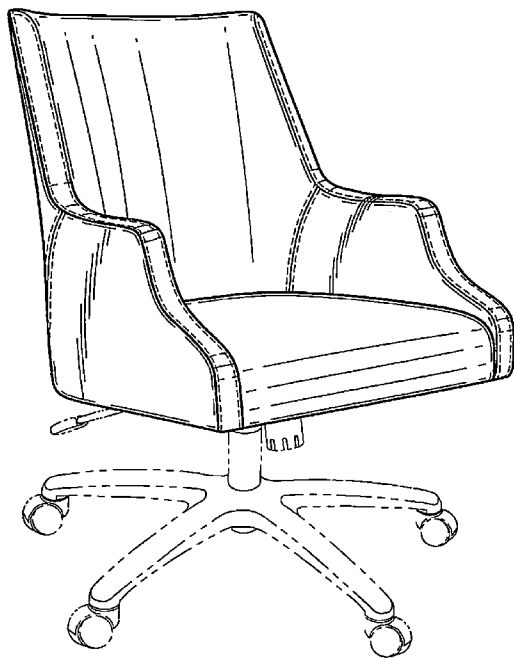
(57) **CLAIM**

The ornamental design for a task chair, as shown and described.

DESCRIPTION

FIG. 1 is a perspective view of a task chair, looking toward the right front corner, showing my new design;
FIG. 2 is a front view thereof;
FIG. 3 is a back view thereof;
FIG. 4 is a right side view thereof;
FIG. 5 is a top view thereof; and,
FIG. 6 is a bottom view thereof.
The broken lines shown in the drawing are for illustrative purposes only and form no part of the claimed design.

1 Claim, 5 Drawing Sheets



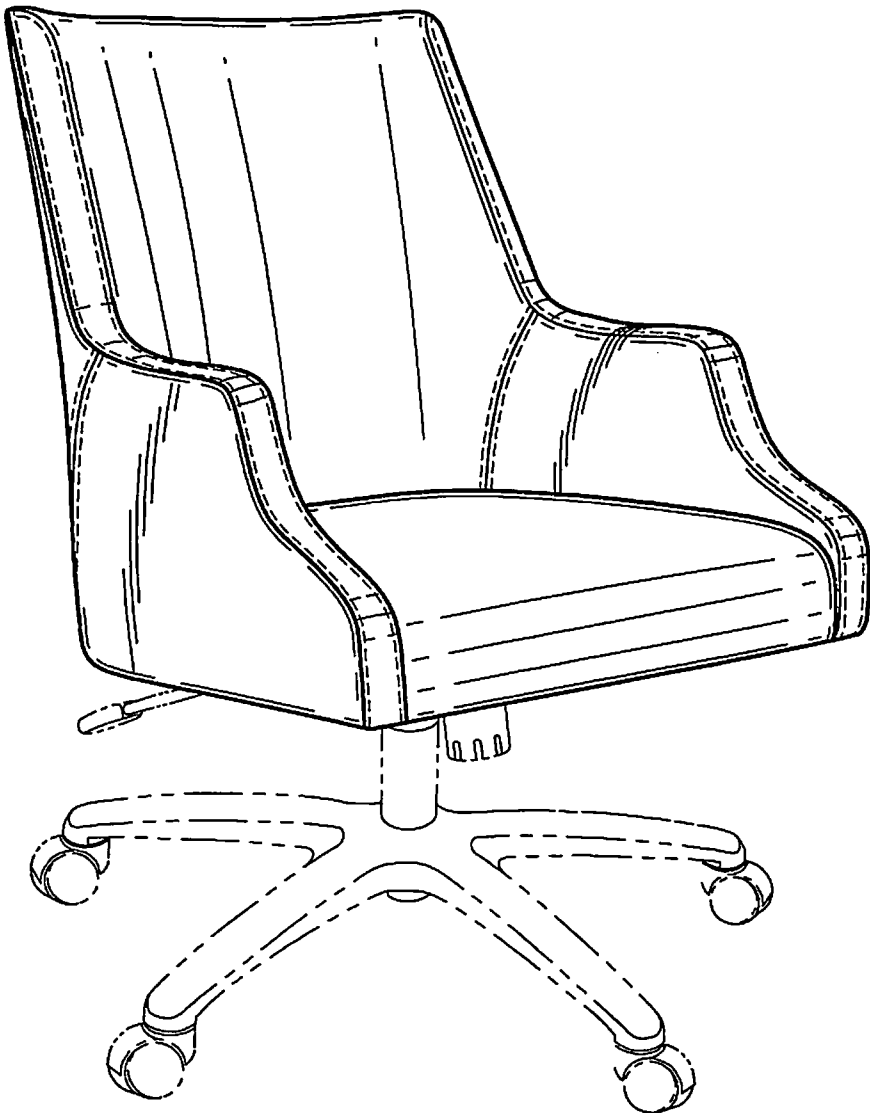


FIG. 1

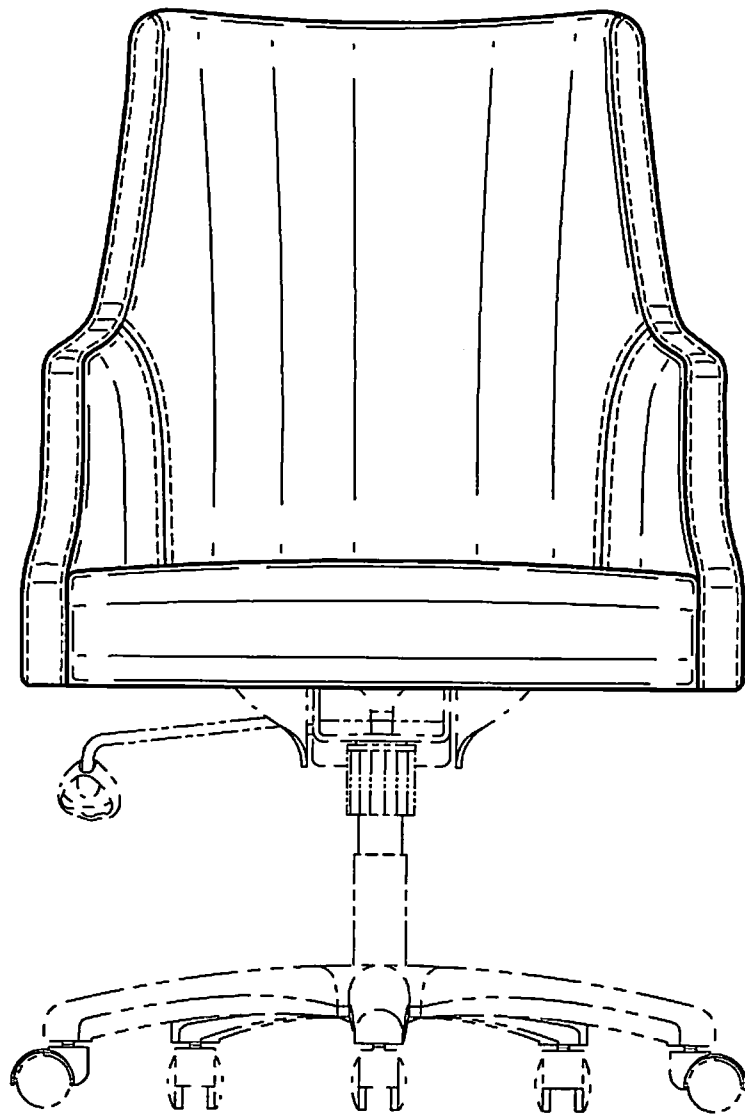


FIG. 2

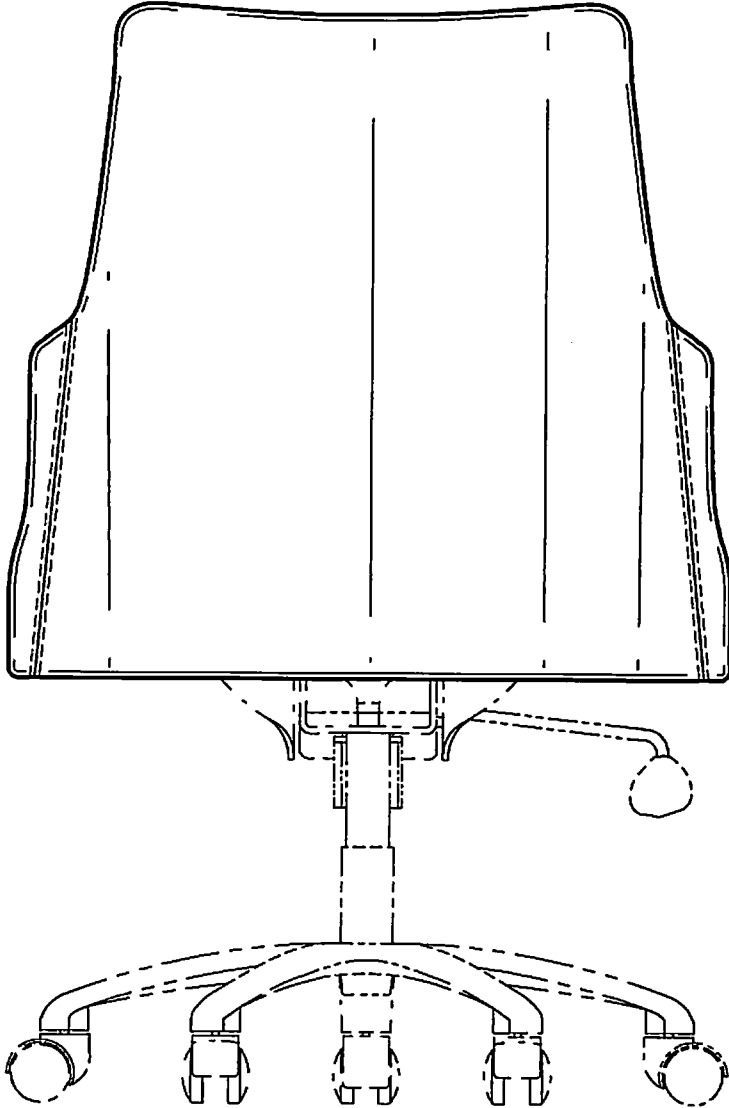


FIG. 3

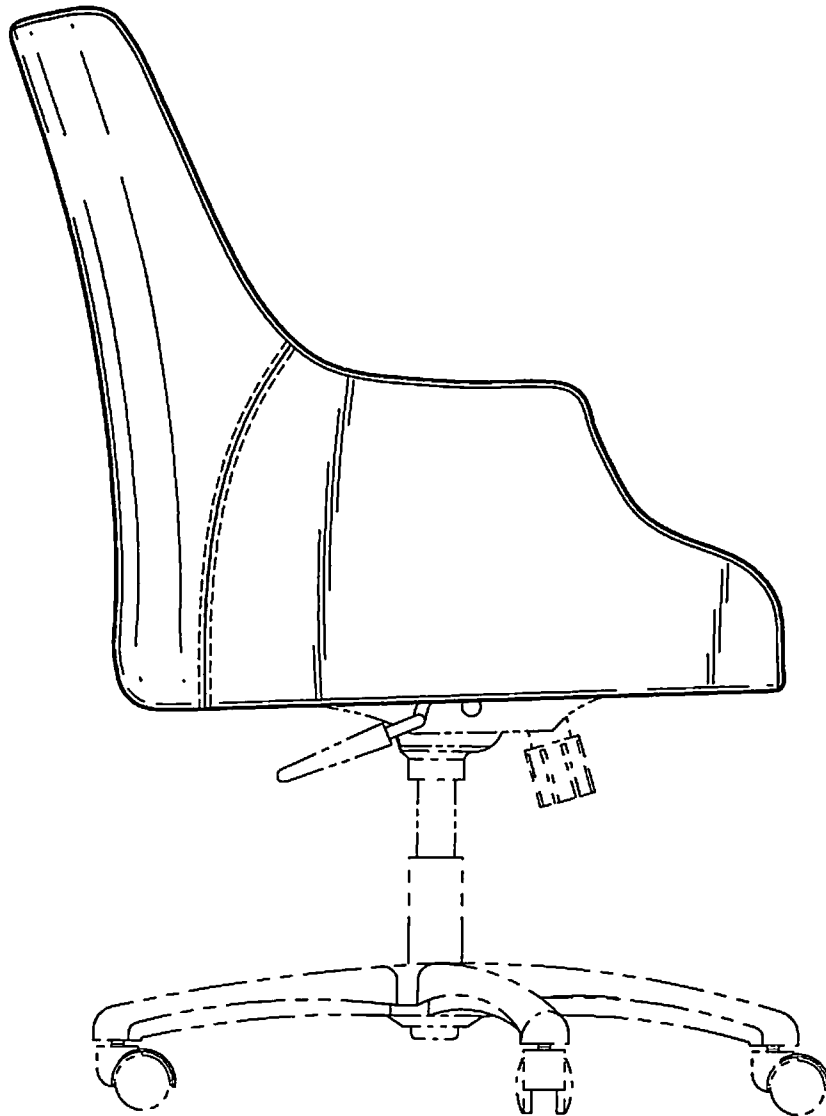


FIG. 4

FIG. 5

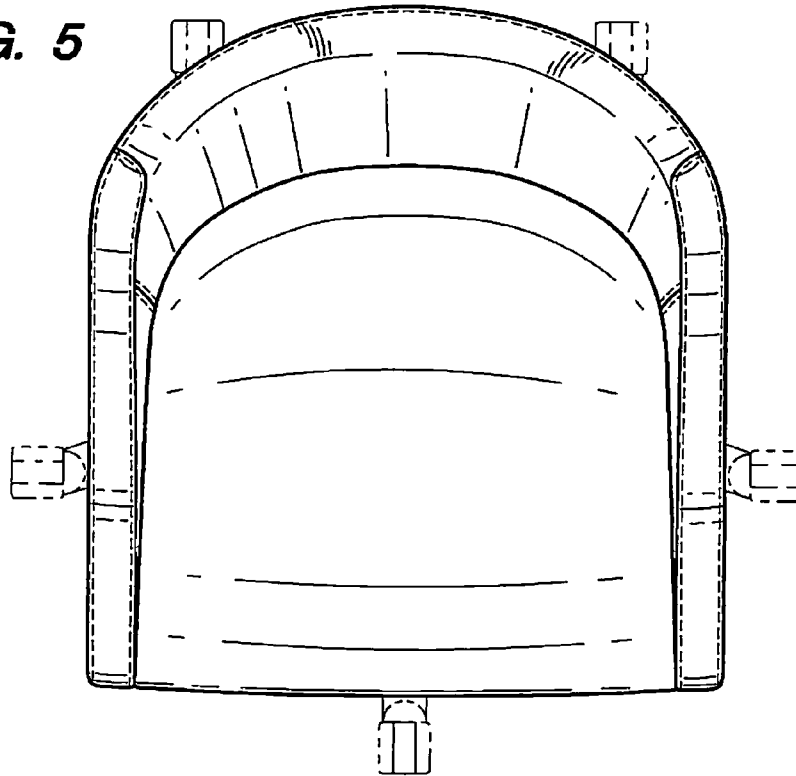


FIG. 6

