



US00D763483S

(12) **United States Design Patent**
Luke et al.

(10) **Patent No.:** **US D763,483 S**

(45) **Date of Patent:** **** Aug. 9, 2016**

(54) **TAIL LAMP HOUSING UNIT**
(71) Applicant: **Gogoro Inc.**, Hong Kong (CN)
(72) Inventors: **Hok-Sum Horace Luke**, Mercer Island, WA (US); **Chien-Chih Weng**, New Taipei (TW); **Hsin-Wen Su**, Taipei (TW)

(73) Assignee: **GOGORO INC.**, Hong Kong (CN)

(**) Term: **14 Years**

(21) Appl. No.: **29/507,634**

(22) Filed: **Oct. 29, 2014**

(51) **LOC (10) Cl.** **26-06**

(52) **U.S. Cl.**
USPC **D26/28**

(58) **Field of Classification Search**
USPC D26/28–36; 362/459–468, 475–478, 362/485–487
CPC F21S 48/00; F21S 48/10; F21S 48/115; F21S 48/1233; F21S 48/1388; F21S 48/2268; F21V 21/04

See application file for complete search history.

(56) **References Cited**

U.S. PATENT DOCUMENTS

4,536,005 A	8/1985	Tanaka et al.
4,715,465 A	12/1987	Takahashi et al.
4,719,983 A	1/1988	Bruzzone
4,800,980 A	1/1989	Hideo et al.
D314,166 S	1/1991	Shively et al.
D361,741 S	8/1995	Sofue et al.
D399,174 S	10/1998	Takeshita et al.
D480,661 S	10/2003	Kawawa et al.
D490,750 S	6/2004	Hoshino
D503,908 S	4/2005	Tomomatsu et al.
D514,987 S	2/2006	Hsiao
D529,415 S	10/2006	Shimada et al.
D537,386 S	2/2007	Mizuta et al.
D537,756 S	3/2007	Kitayama et al.

D574,300 S	8/2008	Kitayama et al.	
D588,719 S *	3/2009	Longpre	D26/28
D596,322 S *	7/2009	Takahashi	D26/28
D596,767 S *	7/2009	Idei	D26/28
D601,728 S *	10/2009	Kogo	D26/28
D602,402 S	10/2009	Takahashi et al.	

(Continued)

FOREIGN PATENT DOCUMENTS

TW	D114554	12/2006
TW	D141327	7/2011

OTHER PUBLICATIONS

Taiwanese Office Action with English Translation dated Jun. 11, 2015, for corresponding TW Application No. 103306726, 6 pages.

Primary Examiner — Marcus Jackson

(74) *Attorney, Agent, or Firm* — Seed IP Law Group PLLC

(57) **CLAIM**

The ornamental design for a tail lamp housing unit, as shown and described.

DESCRIPTION

FIG. 1 is a rear perspective view of a tail lamp housing unit showing our new design.

FIG. 2 is a front perspective view thereof.

FIG. 3 is a rear elevational view thereof.

FIG. 4 is a left side elevational view thereof.

FIG. 5 is a right side elevational view thereof.

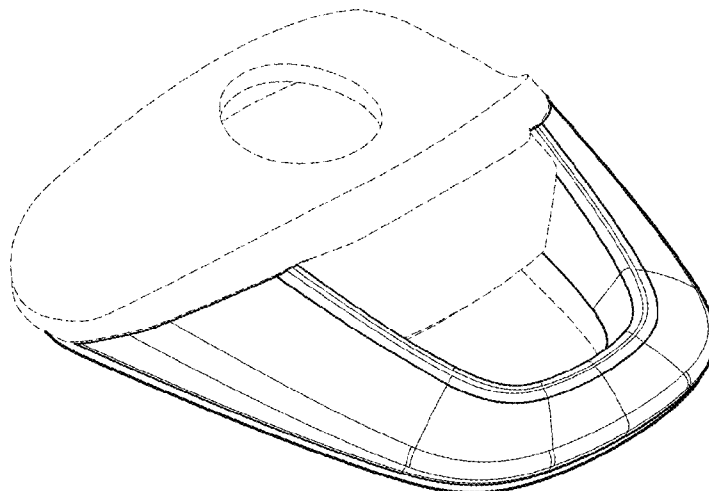
FIG. 6 is a top plan view thereof; and,

FIG. 7 is a rear perspective view showing environmental structure thereof.

Contour lines are intended to represent three-dimensional contours of the design, and are not intended to indicate surface decoration.

The broken lines are for the purpose of illustrating environmental structure for the claimed design and form no part of the claimed design.

1 Claim, 7 Drawing Sheets



(56)

References Cited

U.S. PATENT DOCUMENTS

D602,617 S	*	10/2009	Kogo	D26/28	D657,722 S	4/2012	Lambri et al.
D610,490 S		2/2010	Wong		D662,860 S	7/2012	Devernay et al.
D617,021 S	*	6/2010	Ishiguri	D26/28	D670,205 S	11/2012	Takakuwa et al.
D629,721 S		12/2010	Takeno et al.		D678,128 S	3/2013	Lambri et al.
D638,151 S	*	5/2011	Hung	D26/28	D678,129 S	3/2013	Kubota et al.
D644,961 S		9/2011	Watanabe et al.		D713,071 S	9/2014	Namai et al.
D654,402 S		2/2012	Lambri et al.		D716,977 S	11/2014	Nishimoto et al.
					D717,978 S	11/2014	Nishimoto et al.
					D726,076 S	4/2015	Arai et al.

* cited by examiner

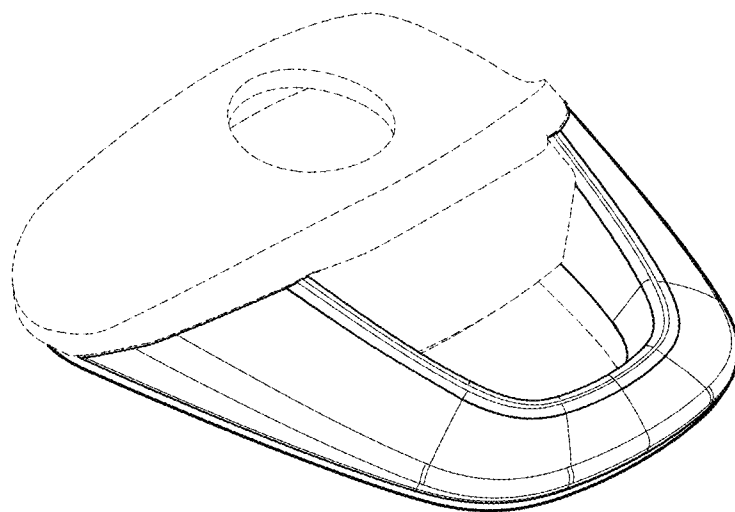


FIG.1

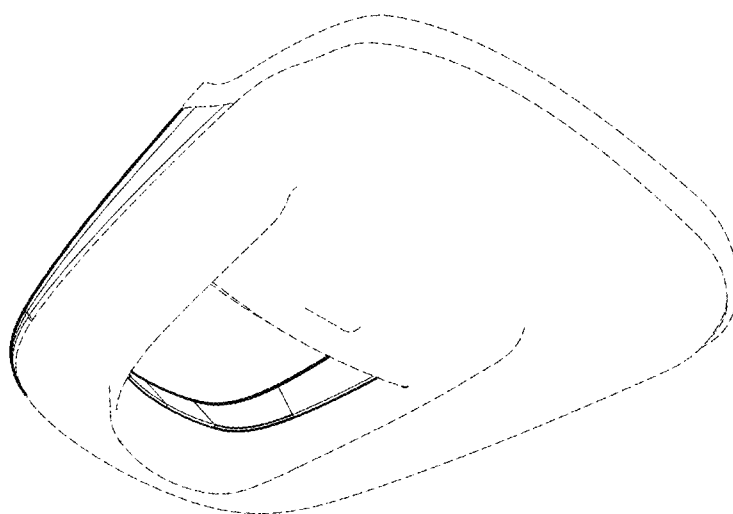


FIG.2

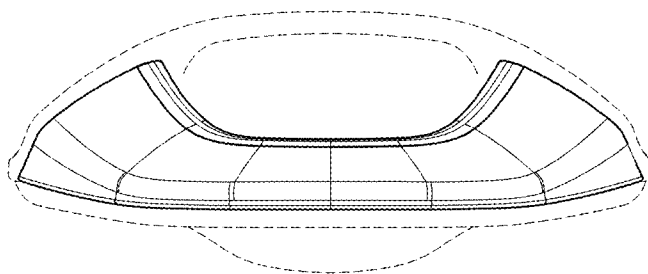


FIG.3

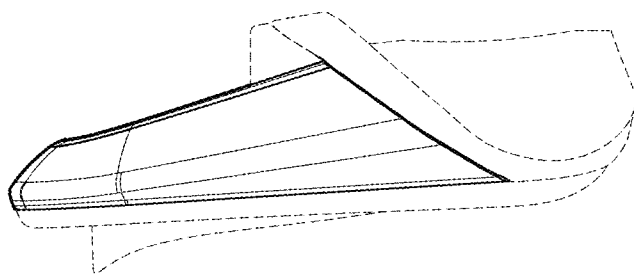


FIG.4

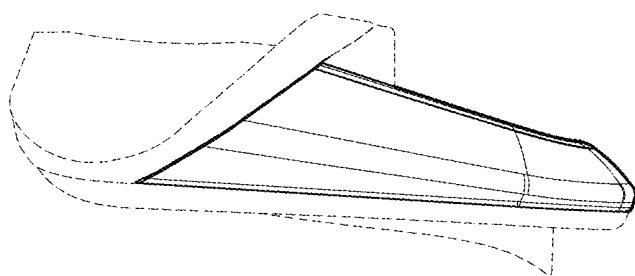


FIG.5

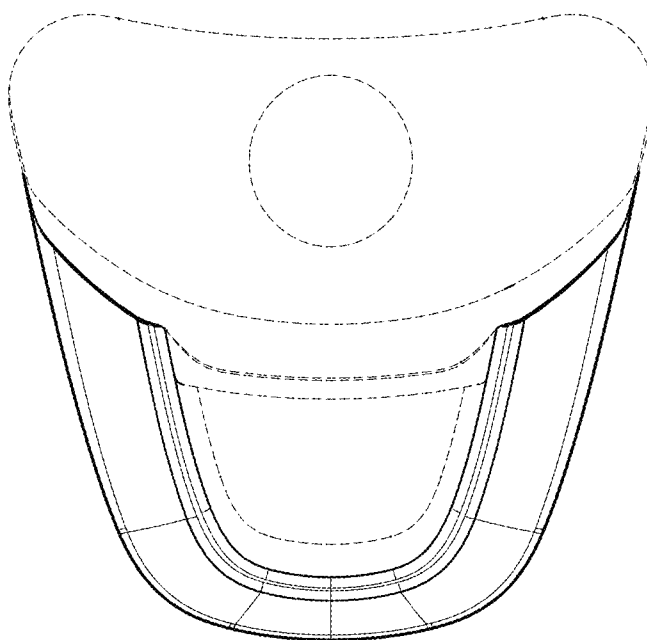


FIG.6



FIG. 7