



US00D666203S

(12) **United States Design Patent**
Wang et al.

(10) **Patent No.:** **US D666,203 S**

(45) **Date of Patent:** **** Aug. 28, 2012**

(54) **DISPLAY SCREEN**

(75) Inventors: **Ren-Bo Wang**, Shenzhen (CN); **Xin-Wu Guan**, Shenzhen (CN); **Po-Feng Ho**, New Taipei (TW); **Wu-Zheng Ou**, New Taipei (TW)

(73) Assignee: **FIH (Hong Kong) Limited**, Kowloon (HK)

(**) Term: **14 Years**

(21) Appl. No.: **29/400,926**

(22) Filed: **Sep. 2, 2011**

(51) **LOC (9) Cl.** **14-02**

(52) **U.S. Cl.** **D14/439**

(58) **Field of Classification Search** D14/341-347, D14/424, 425, 432-453, 464, 468, 469, 471, D14/496, 511, 138 AA, 138 AD, 138 C, 138 G, D14/203.1-203.8, 217, 238.1, 248, 250, 257, D14/299; 361/679.01, 679.02, 679.03, 679.3, 361/679.55, 679.56; 455/550.1, 556.1, 556.2, 455/575.1, 575.3-575.5, 575.8, 90.3; D9/456, D9/457, 434; D6/300, 314, 310; D10/65
See application file for complete search history.

(56) **References Cited**

U.S. PATENT DOCUMENTS

D505,428 S * 5/2005 Yagihashi D14/496
D557,279 S * 12/2007 Kim D14/496
D558,571 S * 1/2008 Andre et al. D9/432
D558,572 S * 1/2008 Andre et al. D9/432
D558,791 S * 1/2008 Toh et al. D14/496

D582,267 S * 12/2008 Andre et al. D9/432
D582,405 S * 12/2008 Andre et al. D3/299
D584,726 S * 1/2009 Morita D14/341
D606,549 S * 12/2009 He D14/480.7
D612,830 S * 3/2010 Kim et al. D14/138 G
D625,722 S * 10/2010 Park D14/365
D631,026 S * 1/2011 Kim et al. D14/138 AB
D631,458 S * 1/2011 Liao et al. D14/138 G
D636,752 S * 4/2011 Liao et al. D14/138 G
D637,989 S * 5/2011 Pan et al. D14/138 AA
D649,966 S * 12/2011 Chiu D14/341

* cited by examiner

Primary Examiner — Deanna L Fluegeman

(74) *Attorney, Agent, or Firm* — Altis Law Group, Inc.

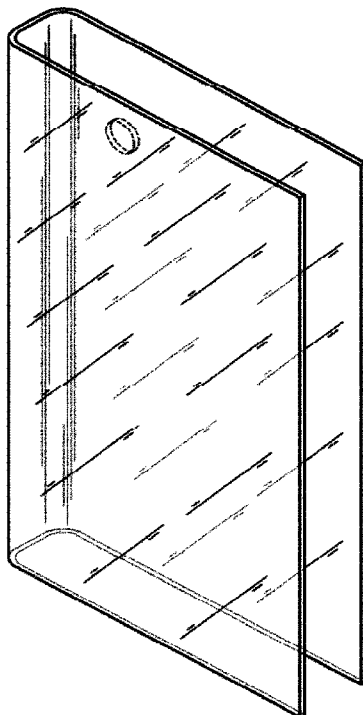
(57) **CLAIM**

The ornamental design for a display screen, as shown and described.

DESCRIPTION

FIG. 1 is a perspective view of a display screen showing our new design;
FIG. 2 is a front elevational view thereof;
FIG. 3 is a rear elevational view thereof;
FIG. 4 is a left side elevational view thereof;
FIG. 5 is a right side elevational view thereof;
FIG. 6 is a top plan view thereof;
FIG. 7 is a bottom plan view thereof; and,
FIG. 8 is a perspective view thereof when in a use.
The broken lines of all the figures are for the purpose of illustrating environment and form no part of the claimed design.

1 Claim, 8 Drawing Sheets



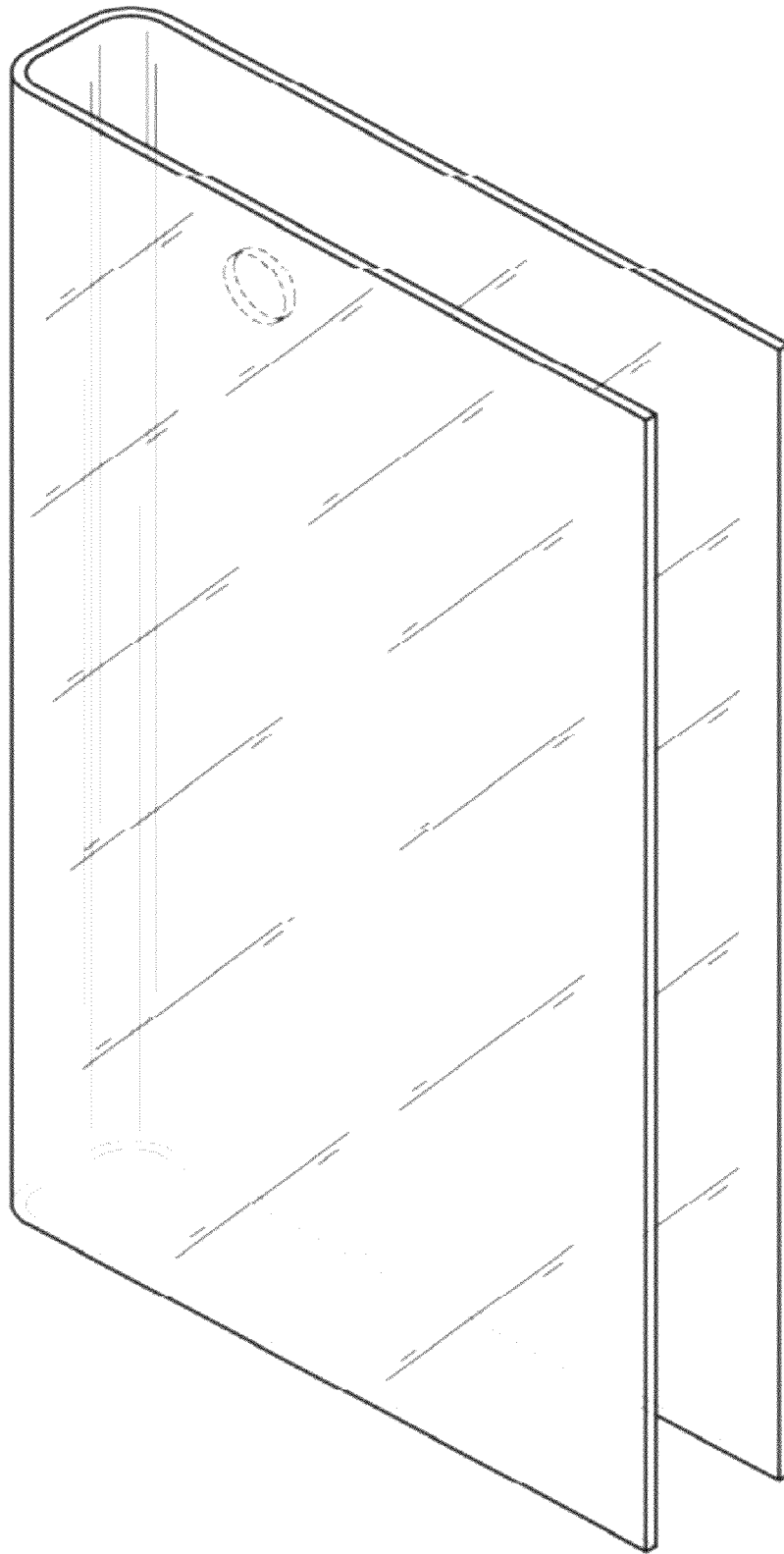


FIG. 1

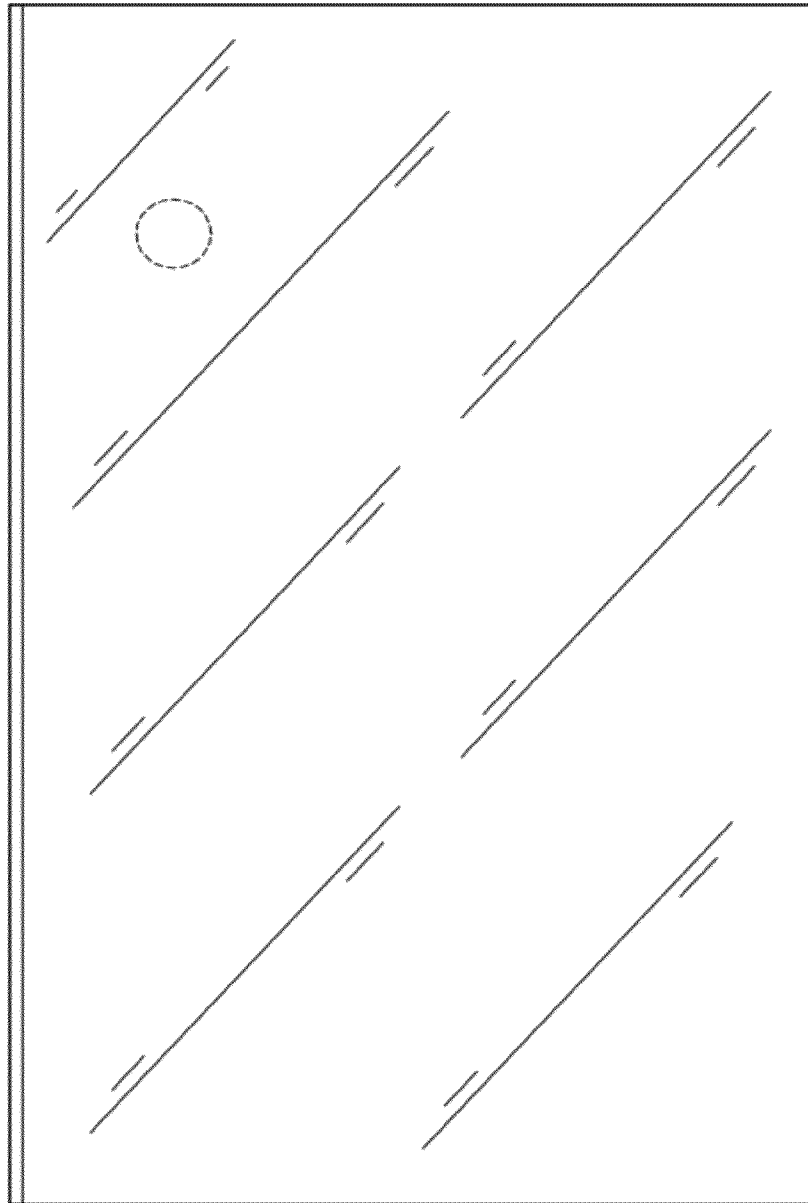


FIG. 2

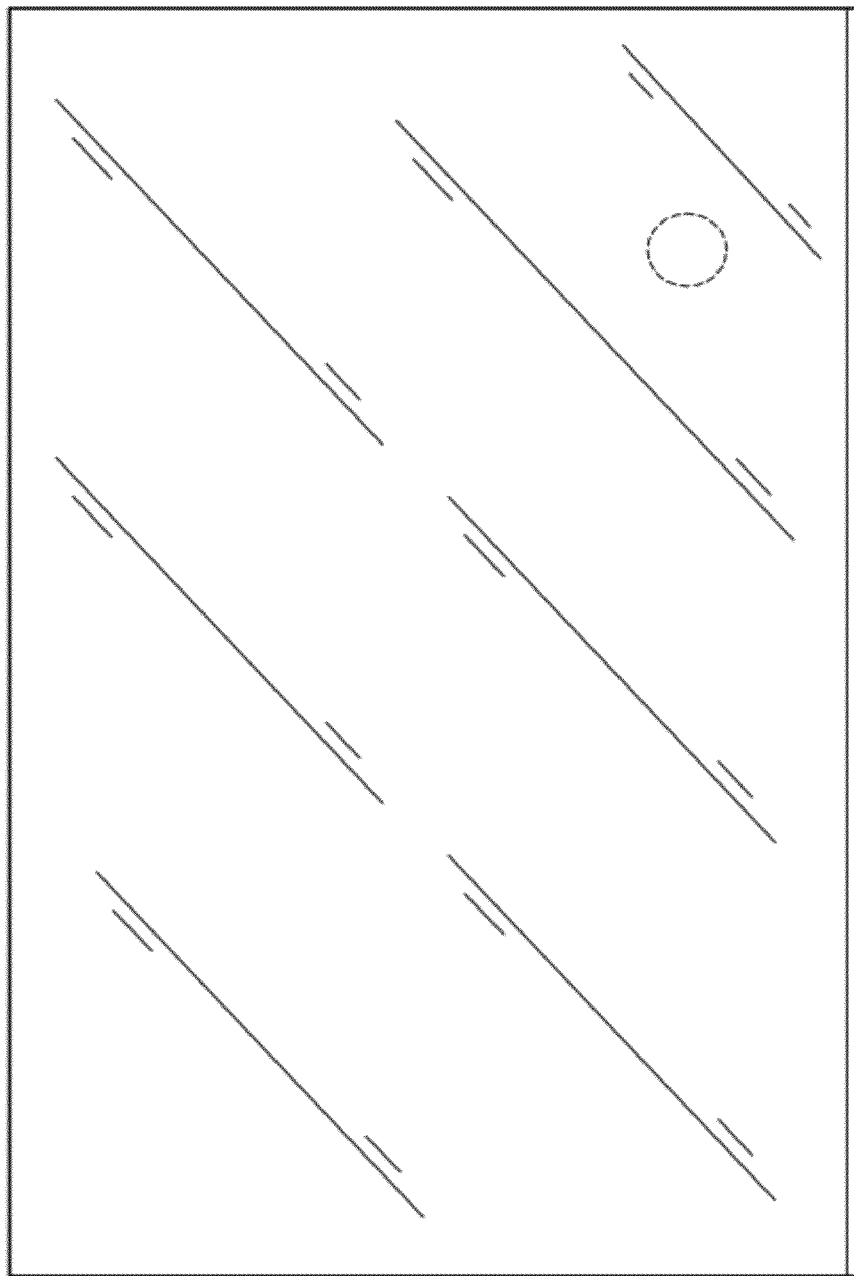


FIG. 3

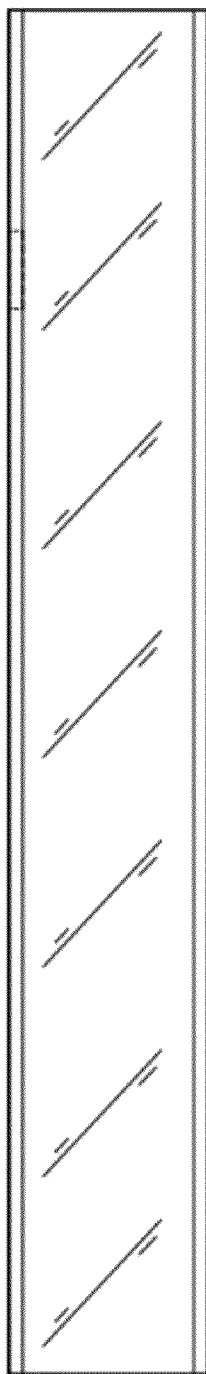


FIG. 4

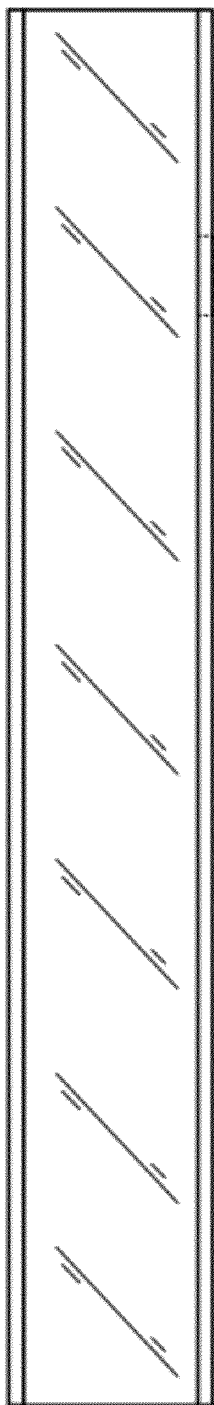


FIG. 5

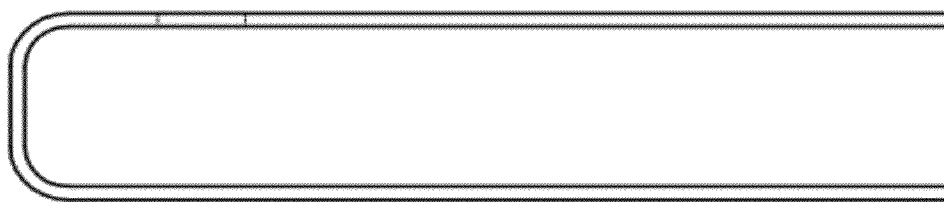


FIG. 6

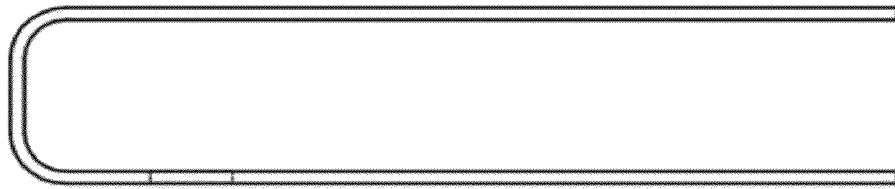


FIG. 7

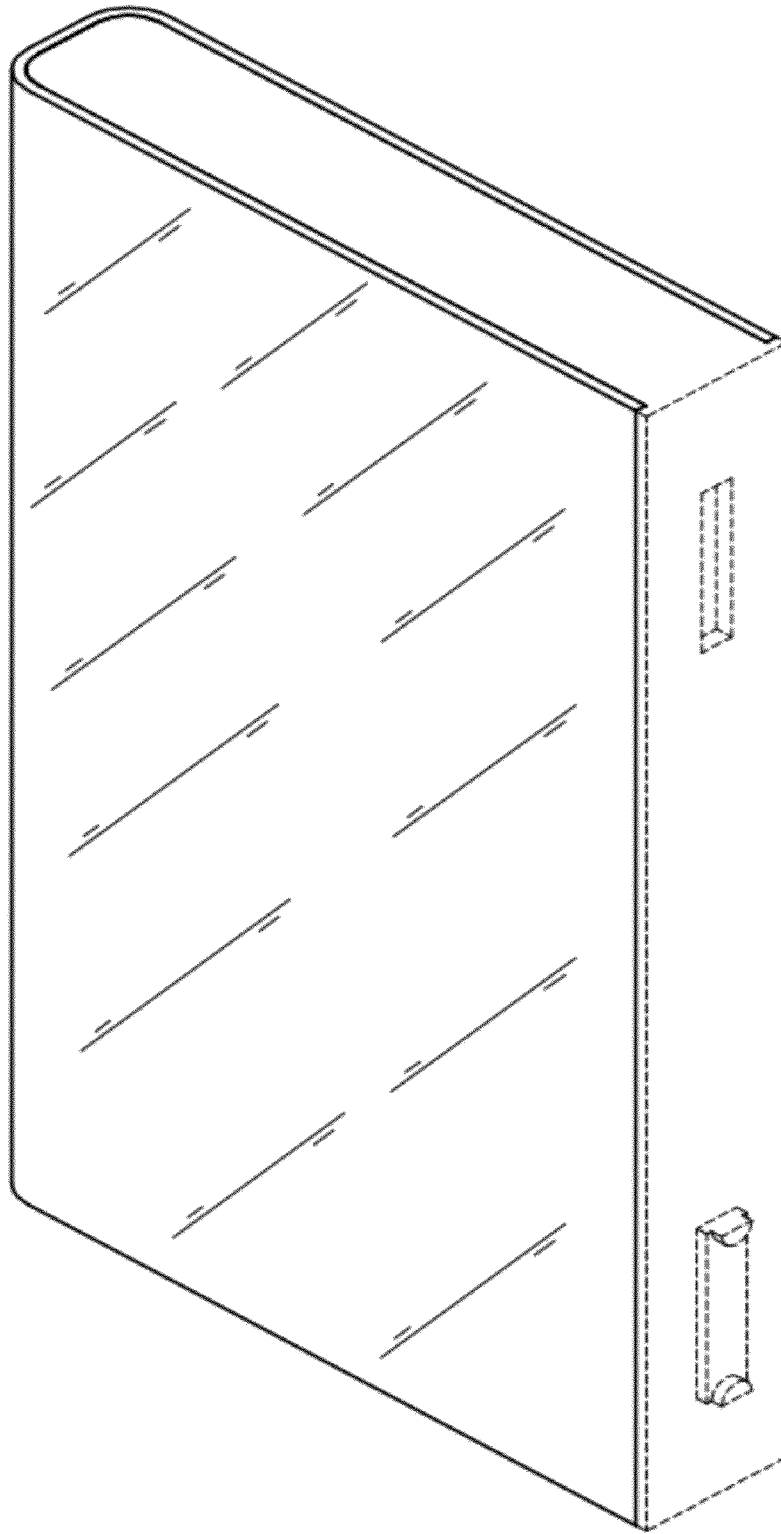


FIG. 8