



US00D796893S

(12) **United States Design Patent** (10) **Patent No.:** **US D796,893 S**
Witsch (45) **Date of Patent:** **** Sep. 12, 2017**

- (54) **BARBECUE GRILL** 5,656,188 A * 8/1997 Janowiak A47J 27/13
219/438
- (71) Applicant: **TEPRO GARTEN GMBH,** D414,982 S * 10/1999 Hopkins D7/362
Roedermark (DE) D430,454 S * 9/2000 Garber D7/354
D441,251 S * 5/2001 Drumm D7/366
6,397,731 B1 6/2002 Gillespie
- (72) Inventor: **Carsten Witsch,** Aachen (DE) D464,844 S * 10/2002 Pai D7/337
D474,063 S 5/2003 Eisinger
- (73) Assignee: **TEPRO GARTEN GMBH,** D479,430 S 9/2003 Chung
Roedermark (DE) D487,209 S * 3/2004 MacIntosh D7/334
D508,364 S * 8/2005 Nipke D7/334
D511,266 S * 11/2005 Pai D7/337
- (**) Term: **15 Years** D517,365 S 3/2006 Huang
D521,307 S 5/2006 Parrant
D542,592 S * 5/2007 Lubowicki D7/362
(Continued)
- (21) Appl. No.: **35/500,341**
- (22) Filed: **Nov. 18, 2015**

(80) **Hague Agreement Data**

Int. Filing Date: **Nov. 18, 2015**
Int. Reg. No.: **DM/088364**
Int. Reg. Date: **Nov. 18, 2015**
Int. Reg. Pub. Date: **Dec. 11, 2015**

- (51) **LOC (10) Cl.** **07-02**
- (52) **U.S. Cl.**
USPC **D7/337**

(58) **Field of Classification Search**

USPC D7/332, 334-337, 338, 348, 402-405,
D7/417; 126/257 E
CPC A47J 36/26; A47J 37/0704; A47J 37/0763;
A47J 37/0745; A47J 37/0713; A47J
37/0768; A47J 37/079; A47J 39/00; F24B
1/205; F24B 1/02; F24B 15/04; F24C
3/14; F24C 3/027; F24C 15/08; F47J
33/00; B65D 7/26; B65D 7/24; A23B
4/052

See application file for complete search history.

(56) **References Cited**

U.S. PATENT DOCUMENTS

- D302,641 S * 8/1989 Elmburg D7/332
- D326,207 S 5/1992 Koziol
- D349,421 S * 8/1994 Goad D7/366

OTHER PUBLICATIONS

Ly, "Office Action issued in U.S. Appl. No. 35/500,331, filed Nov. 18, 2015", Mailed Sep. 14, 2016, 12 pages.

Primary Examiner — Darlington Ly
(74) *Attorney, Agent, or Firm* — Johnson, Marcou & Isaacs, LLC; Jennifer S. Stachniak

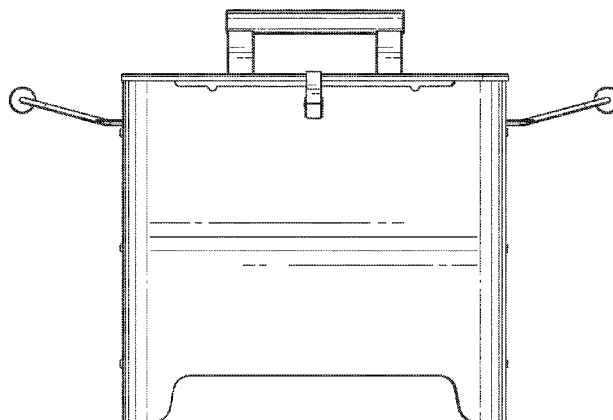
(57) **CLAIM**

The ornamental design for a barbecue grill, as shown and described.

DESCRIPTION

- 1. Barbecue grill
- 1.1** is a front elevation view of a barbecue grill showing my new design;
- 1.2** is a rear elevation view thereof;
- 1.3** is a top plan view thereof;
- 1.4** is a bottom plan view thereof;
- 1.5** is a right side elevation view thereof;
- 1.6** is a left side elevation view thereof;
- 1.7** is a top, front, and left side perspective view thereof;
- 1.8** is a top, rear, and left side perspective view thereof;
- 1.9** is a top, rear, and left side perspective view thereof showing the lid elevated above; and

(Continued)



1.10 is a top, front, and left side perspective view thereof showing the lid elevated above.

1 Claim, 10 Drawing Sheets

(56)

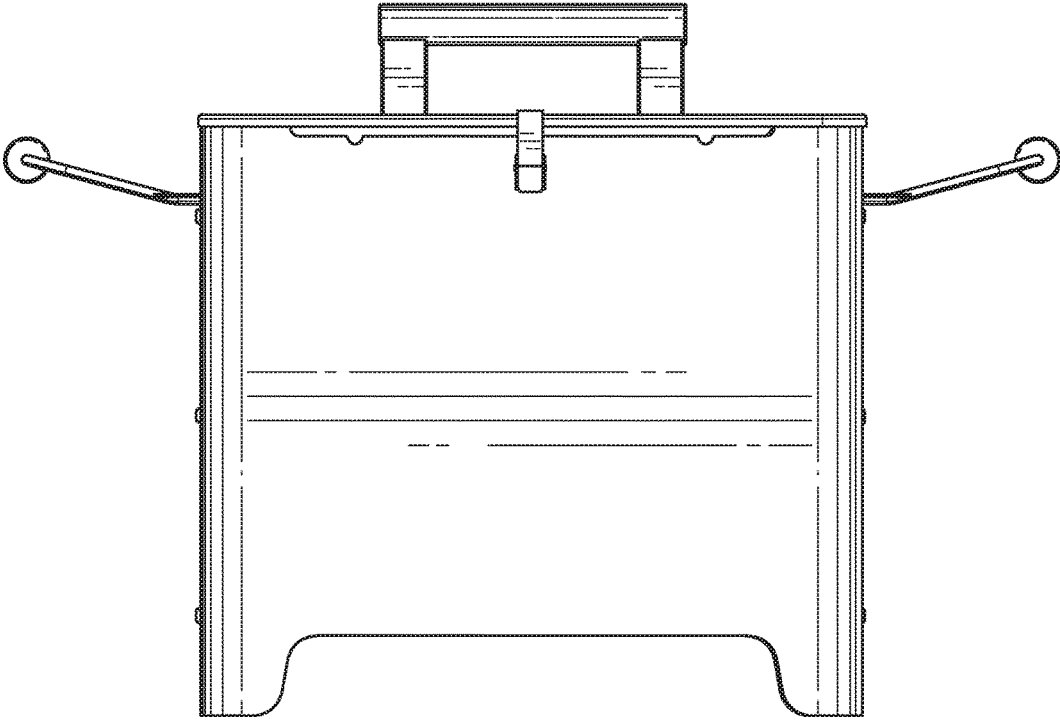
References Cited

U.S. PATENT DOCUMENTS

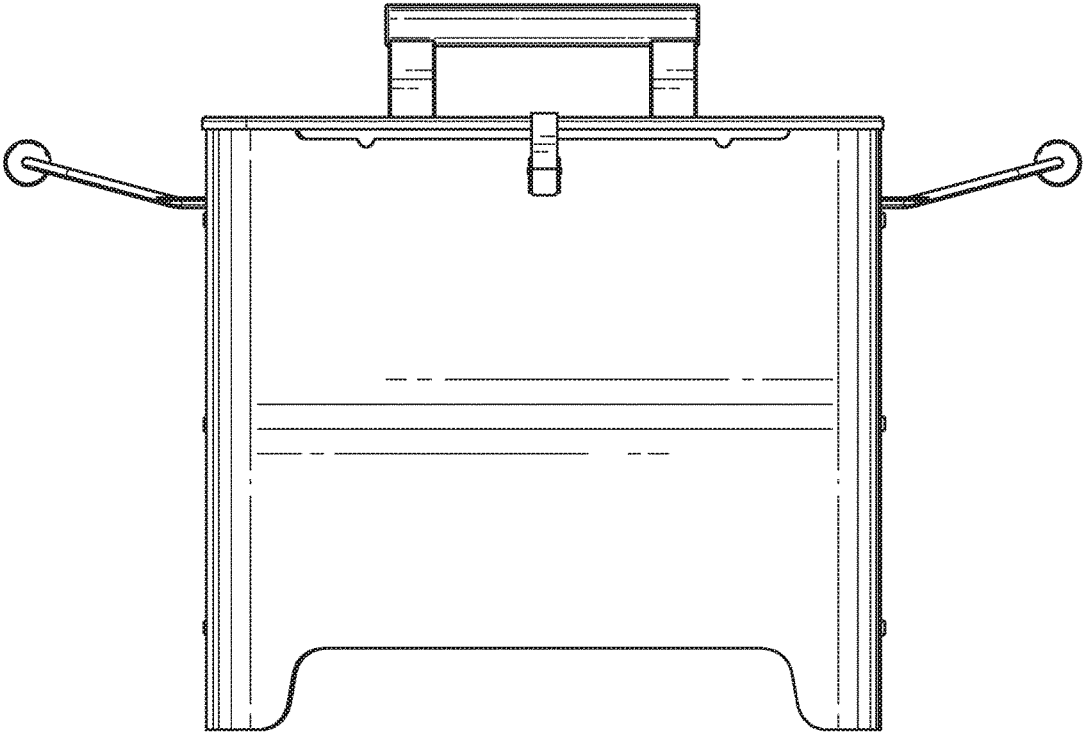
D549,038 S *	8/2007	Chung	D7/337
D550,023 S	9/2007	Chung		
D551,489 S	9/2007	Gondek		
D557,975 S *	12/2007	Yu	D7/365
D562,628 S *	2/2008	Henley	D7/402
D568,095 S *	5/2008	De' Longhi	D7/362
D612,665 S *	3/2010	Hillard	D7/360
D615,799 S *	5/2010	Best	D7/337
D618,035 S	6/2010	Chung		
D618,037 S	6/2010	Chung		
D618,483 S	6/2010	Chung		
D636,628 S	4/2011	Chung		

D657,181 S	4/2012	Chung		
D658,926 S	5/2012	Chung		
D661,538 S	6/2012	Chung		
D663,571 S *	7/2012	Chung	D7/337
D664,802 S *	8/2012	Upston	D7/354
D675,862 S *	2/2013	Bodum	D7/337
D677,107 S *	3/2013	Chung	D7/337
D677,512 S *	3/2013	Bodum	D7/337
D678,713 S *	3/2013	Adams	D7/362
D680,364 S	4/2013	Chung		
D680,365 S	4/2013	Chung		
D680,366 S	4/2013	Chung		
D680,796 S	4/2013	Chung		
D687,668 S	8/2013	Chung		
D687,669 S	8/2013	Chung		
D688,082 S	8/2013	Crick		
D689,322 S	9/2013	Chung		
D711,681 S *	8/2014	Darke	D7/354
D712,191 S	9/2014	Chung		
D717,096 S	11/2014	Chung		
D718,083 S *	11/2014	Chung	D7/337
D720,570 S *	1/2015	Inada	D7/334
2015/0114383 A1	4/2015	Lin		

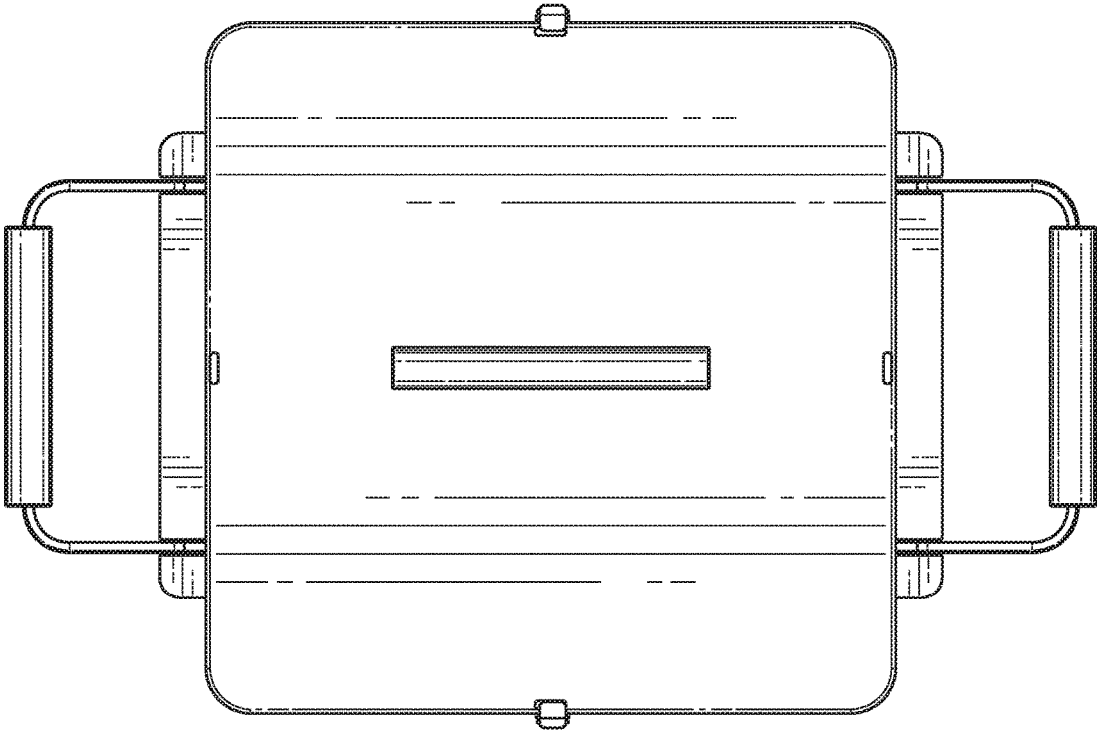
* cited by examiner



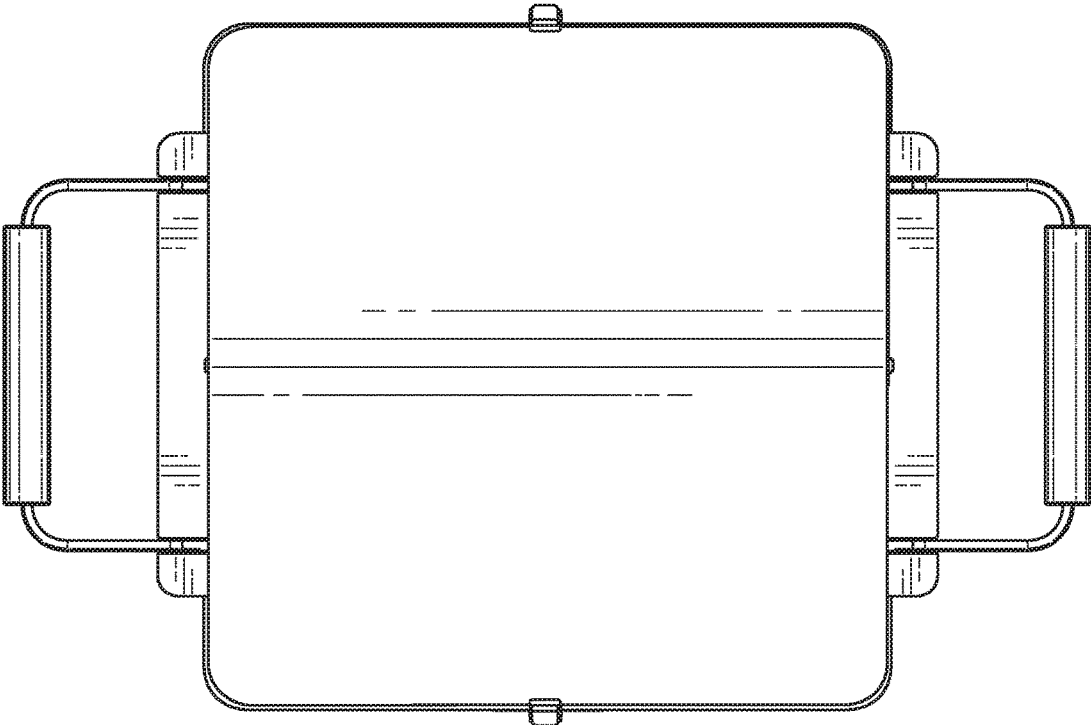
1.1



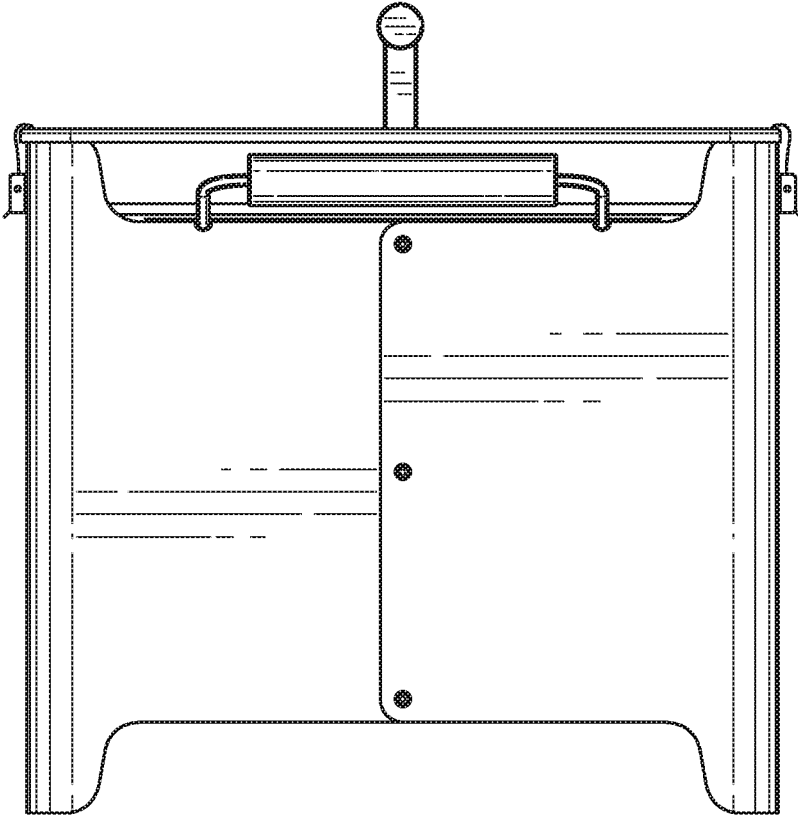
1.2



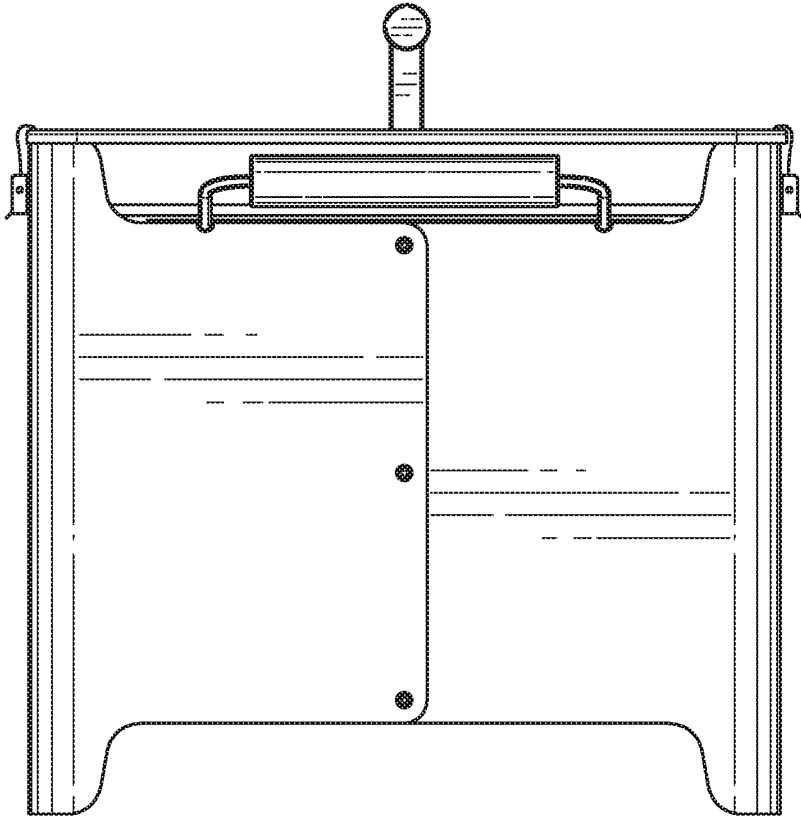
1.3



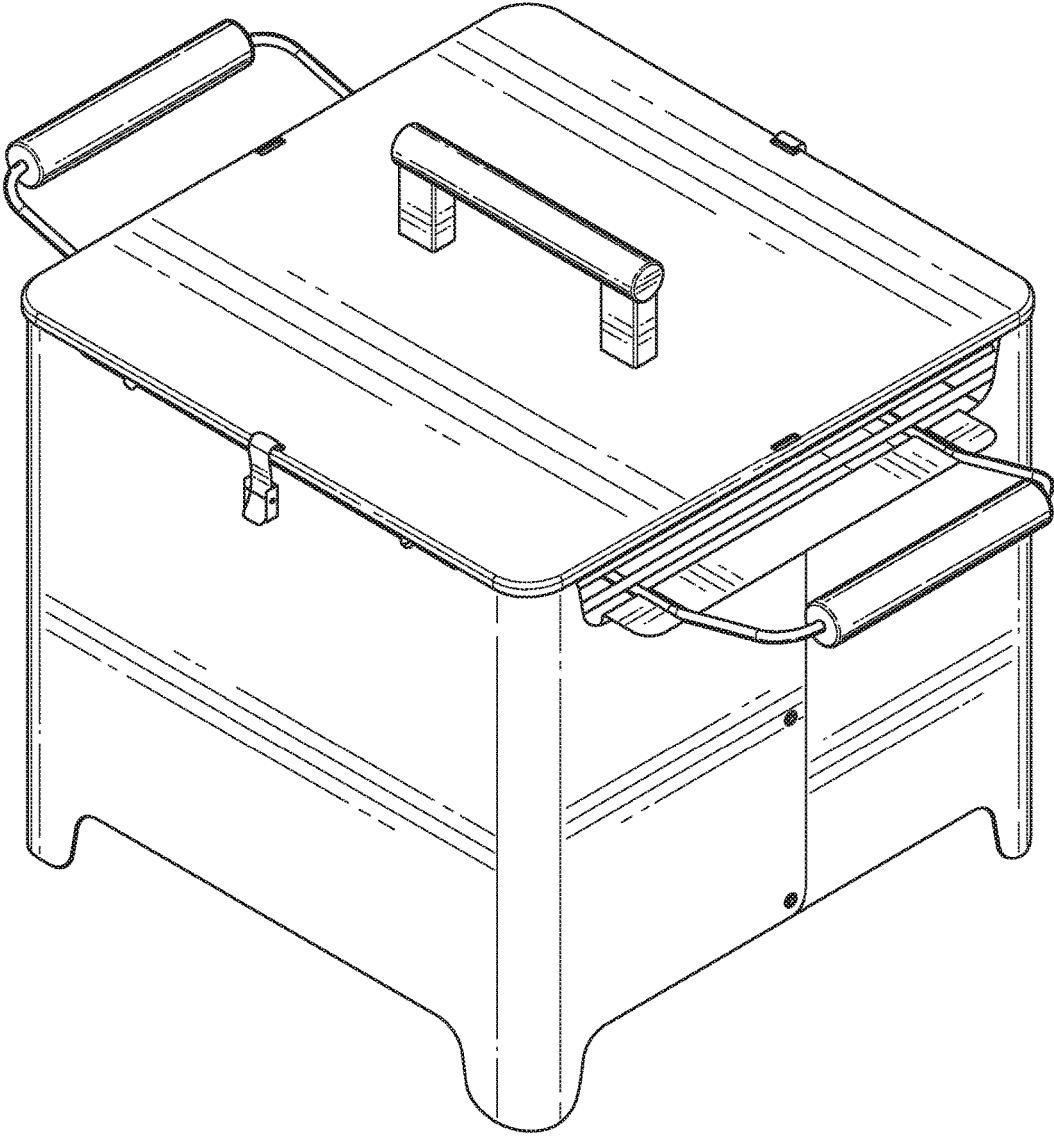
1.4



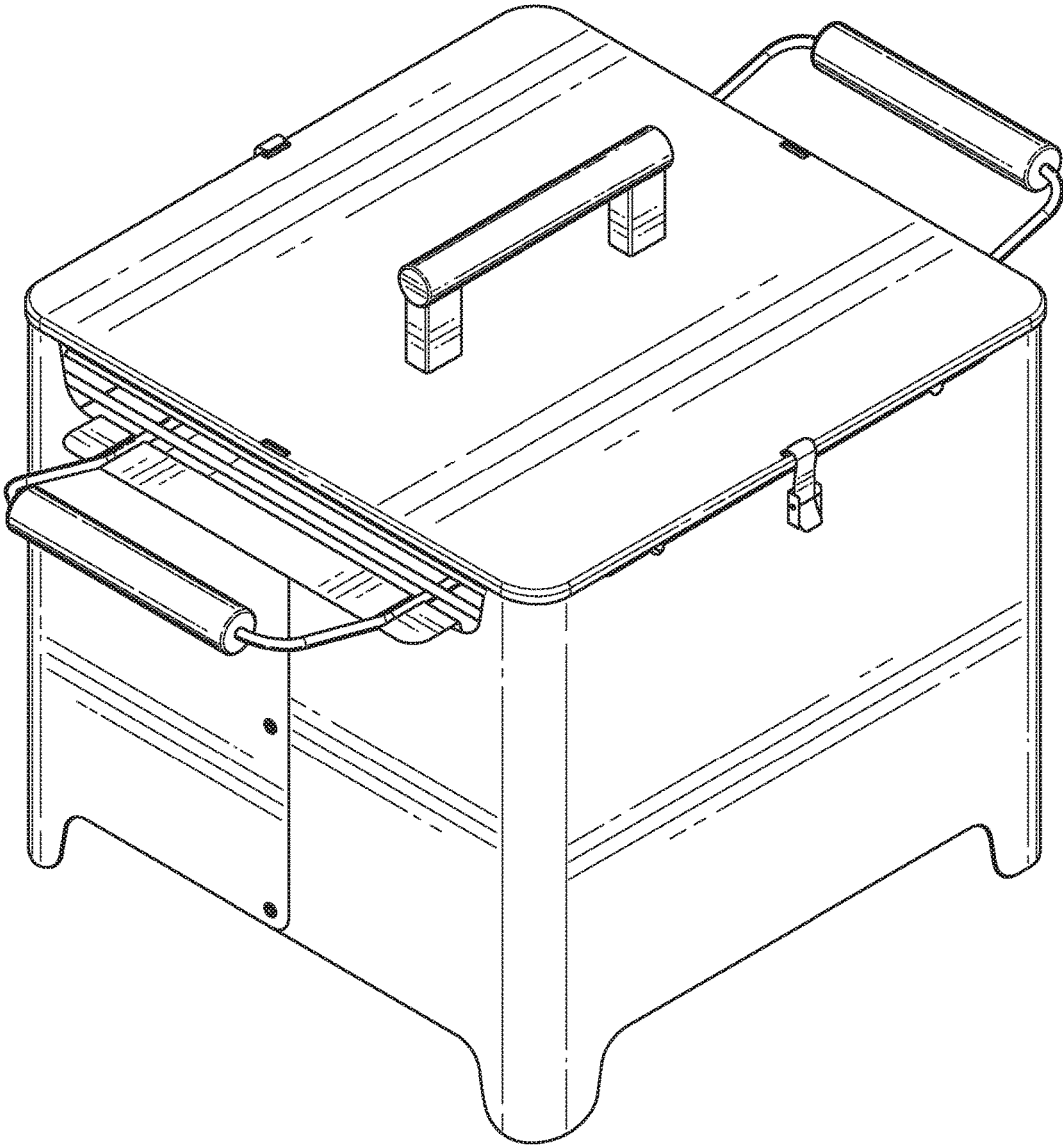
1.5



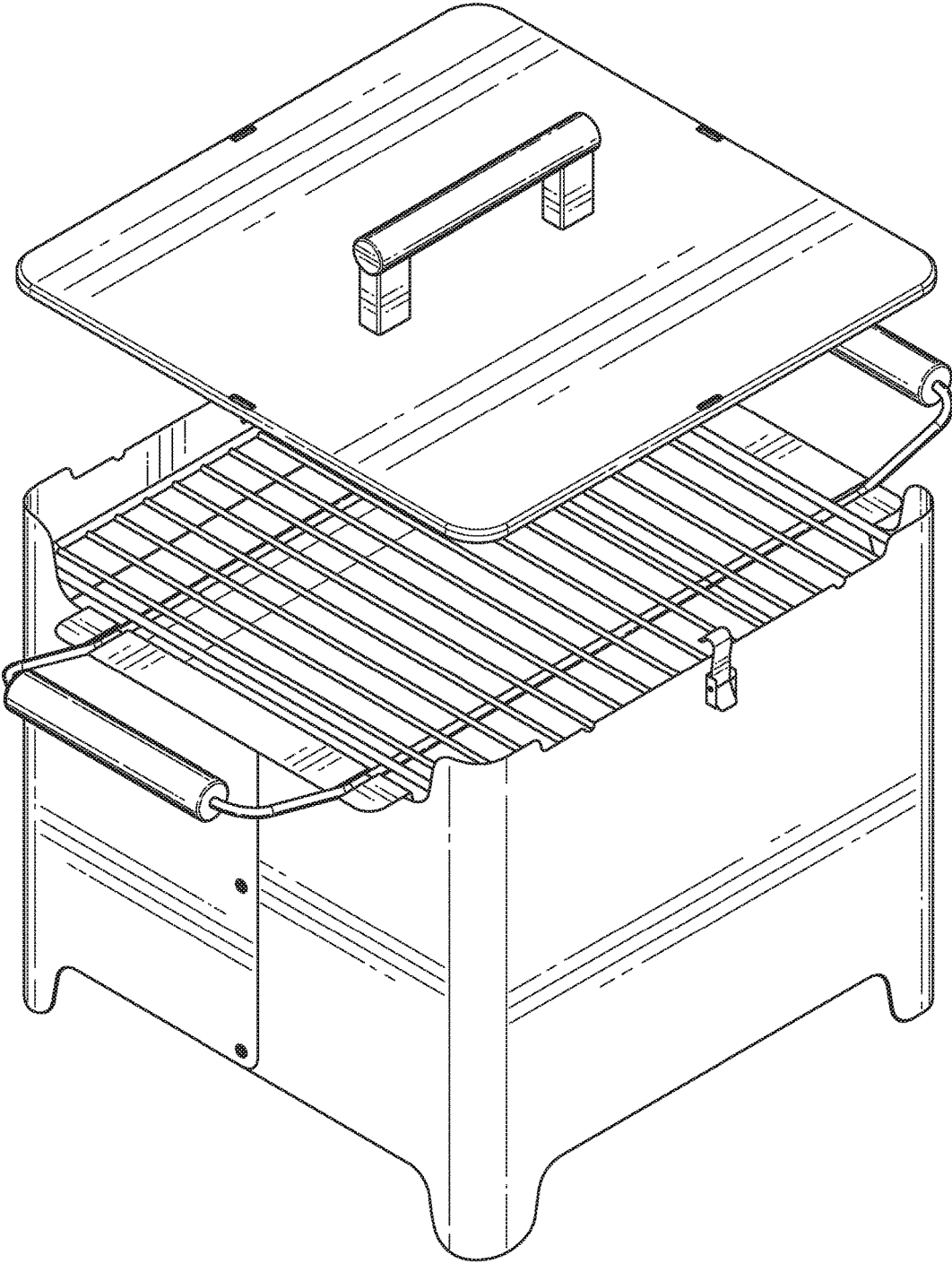
1.6



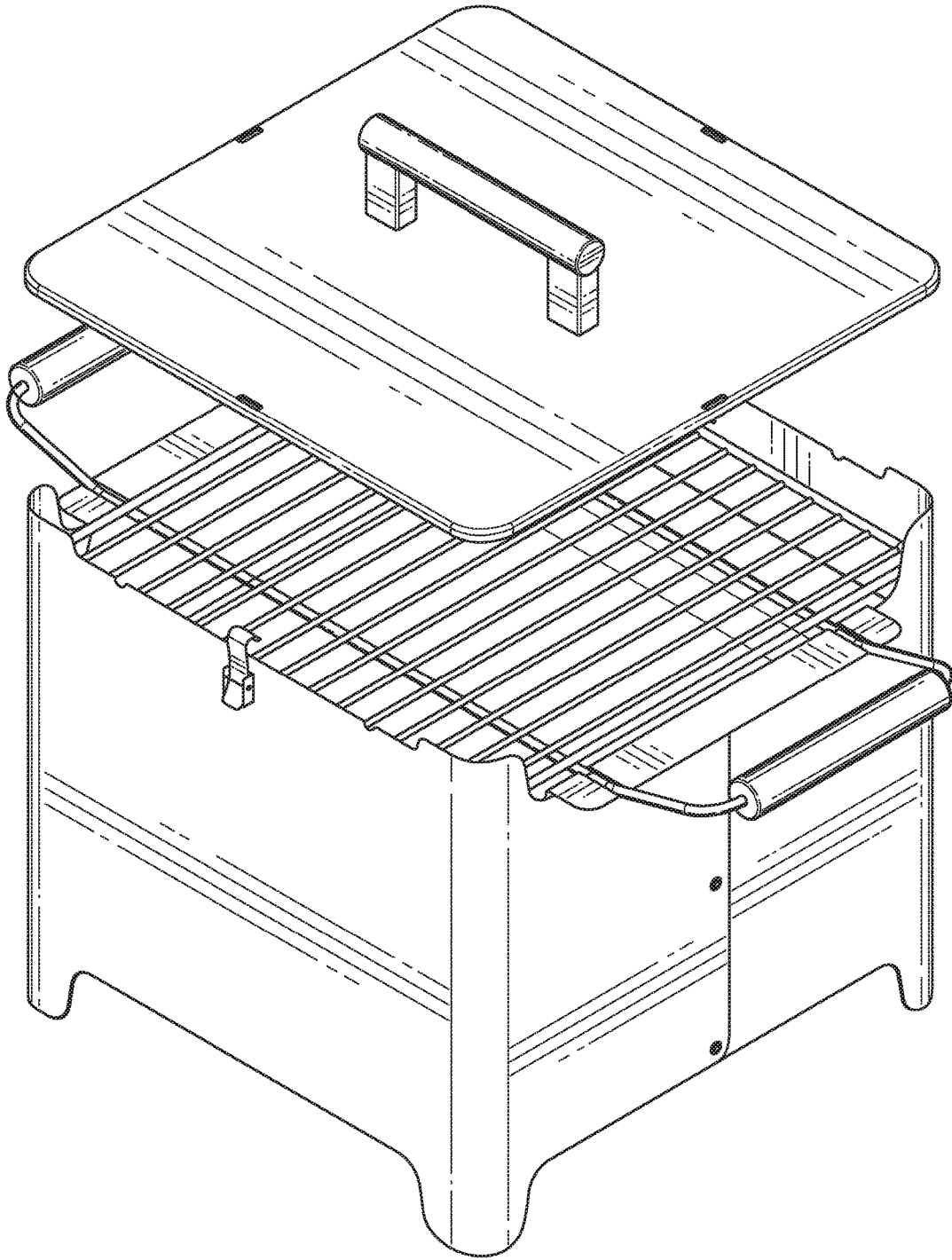
1.7



1.8



1.9



1.10