



US00D533014S

(12) **United States Design Patent**  
**Choi**

(10) **Patent No.:** **US D533,014 S**

(45) **Date of Patent:** **\*\* Dec. 5, 2006**

(54) **DEEP FRYER**

(75) Inventor: **Lung Wai Choi**, Kowloon (HK)

(73) Assignee: **Goodway Electrical Co., Ltd.**, Hong Kong (HK)

(\*\*) Term: **14 Years**

(21) Appl. No.: **29/242,241**

(22) Filed: **Nov. 8, 2005**

(30) **Foreign Application Priority Data**

May 9, 1920 (EM) ..... 000343256-0001

(51) **LOC (8) Cl.** ..... **07-02**

(52) **U.S. Cl.** ..... **D7/354**

(58) **Field of Classification Search** ..... D7/361,  
D7/354, 355, 360, 366, 367, 353, 330, 331,  
D7/358, 347, 350.3, 336, 338, 339, 359, 350.2,  
D7/351, 352, 369; 99/348, 371, 389, 446;  
219/620-622

See application file for complete search history.

(56) **References Cited**

**U.S. PATENT DOCUMENTS**

- D323,762 S \* 2/1992 Barrault ..... D7/354
- D324,151 S \* 2/1992 Barrault ..... D7/354
- D337,479 S \* 7/1993 Doi ..... D7/354
- D345,280 S \* 3/1994 Powell ..... D7/354
- D369,270 S \* 4/1996 Payen ..... D7/354

- D369,505 S \* 5/1996 Philippe ..... D7/354
- D386,646 S \* 11/1997 Wurth ..... D7/354
- D395,980 S \* 7/1998 Boisselier ..... D7/354
- D419,824 S \* 2/2000 Sham et al. .... D7/354
- D427,841 S \* 7/2000 De'Longhi ..... D7/354
- D436,795 S \* 1/2001 Martres et al. .... D7/354
- D465,125 S \* 11/2002 Chedal Anglay ..... D7/354
- D486,351 S \* 2/2004 Lu et al. .... D7/354

\* cited by examiner

*Primary Examiner*—Cathron C. Brooks

*Assistant Examiner*—Ricky Pham

(74) *Attorney, Agent, or Firm*—Ostrolenk, Faber, Gerb & Soffen, LLP

(57) **CLAIM**

The ornamental design for a deep fryer, as shown and described.

**DESCRIPTION**

FIG. 1 is a perspective view of a deep fryer showing my new design;

FIG. 2 is a front view thereof

FIG. 3 is a left side view thereof,

FIG. 4 is a right side view thereof;

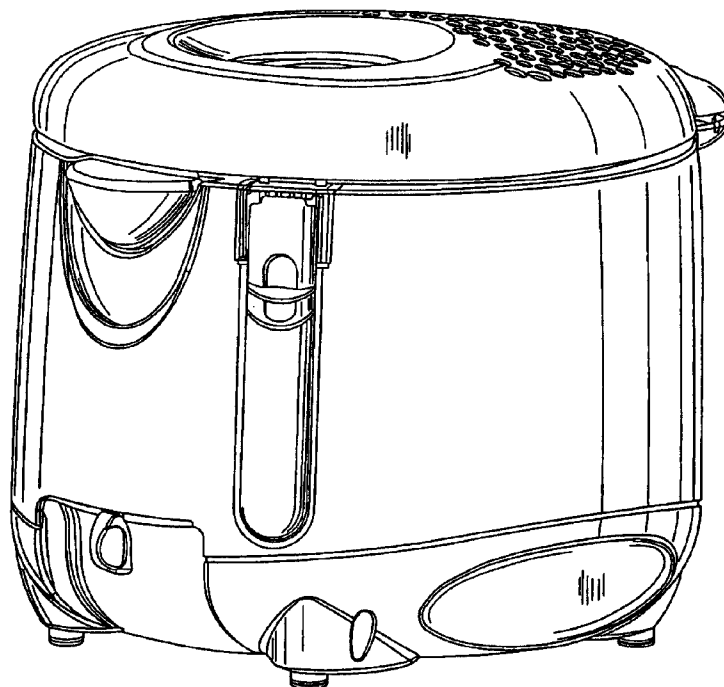
FIG. 5 is a rear view thereof;

FIG. 6 is a top view thereof; and,

FIG. 7 is a bottom view thereof.

The broken lines in FIG. 7 is environmental structure that forms no part of the design.

**1 Claim, 7 Drawing Sheets**



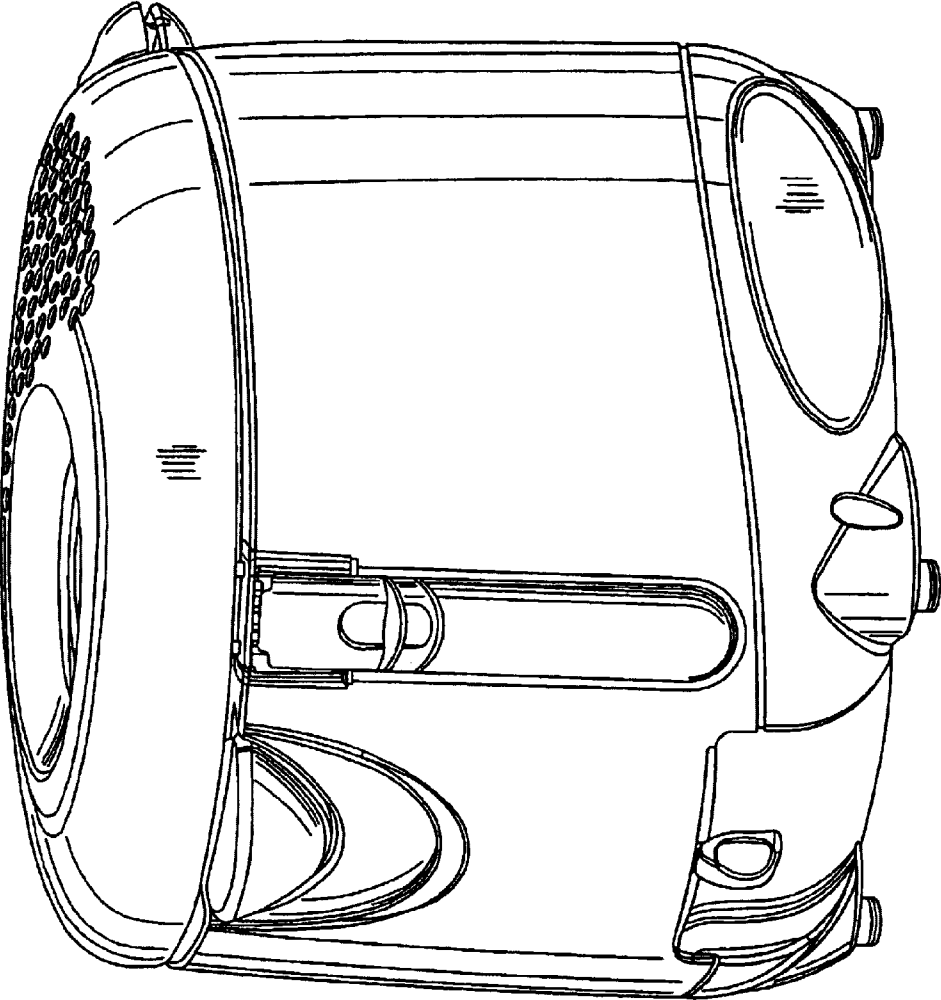


FIG. 1

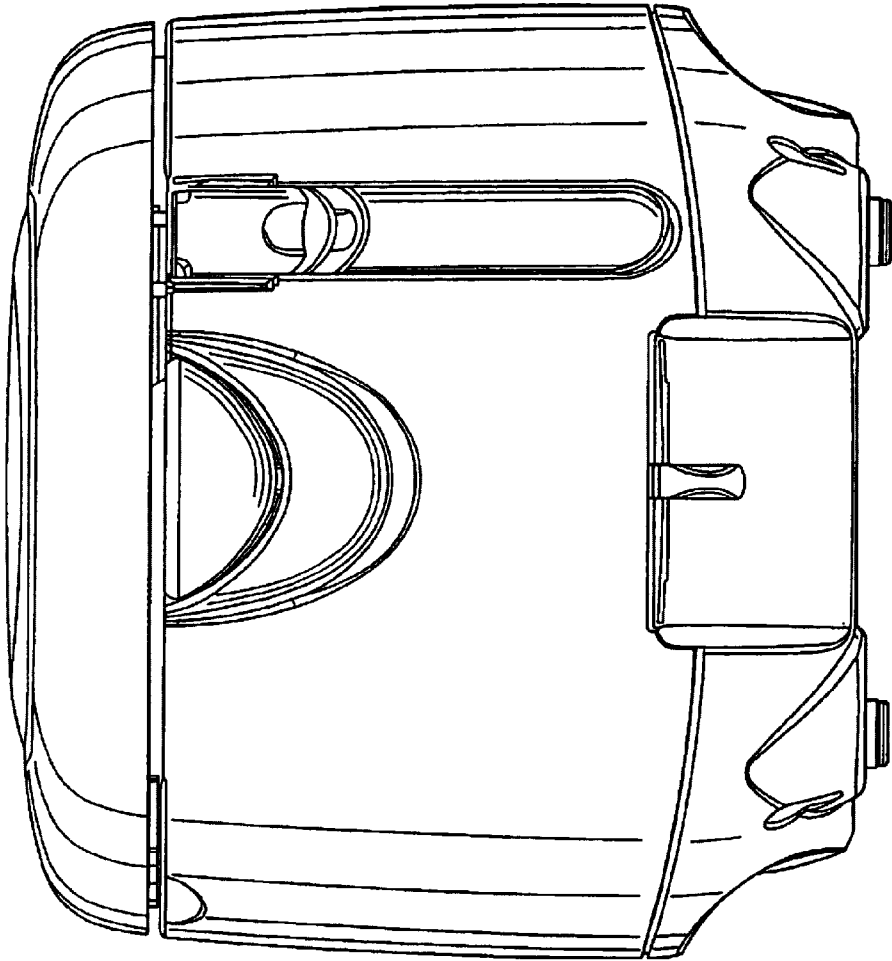


FIG. 2

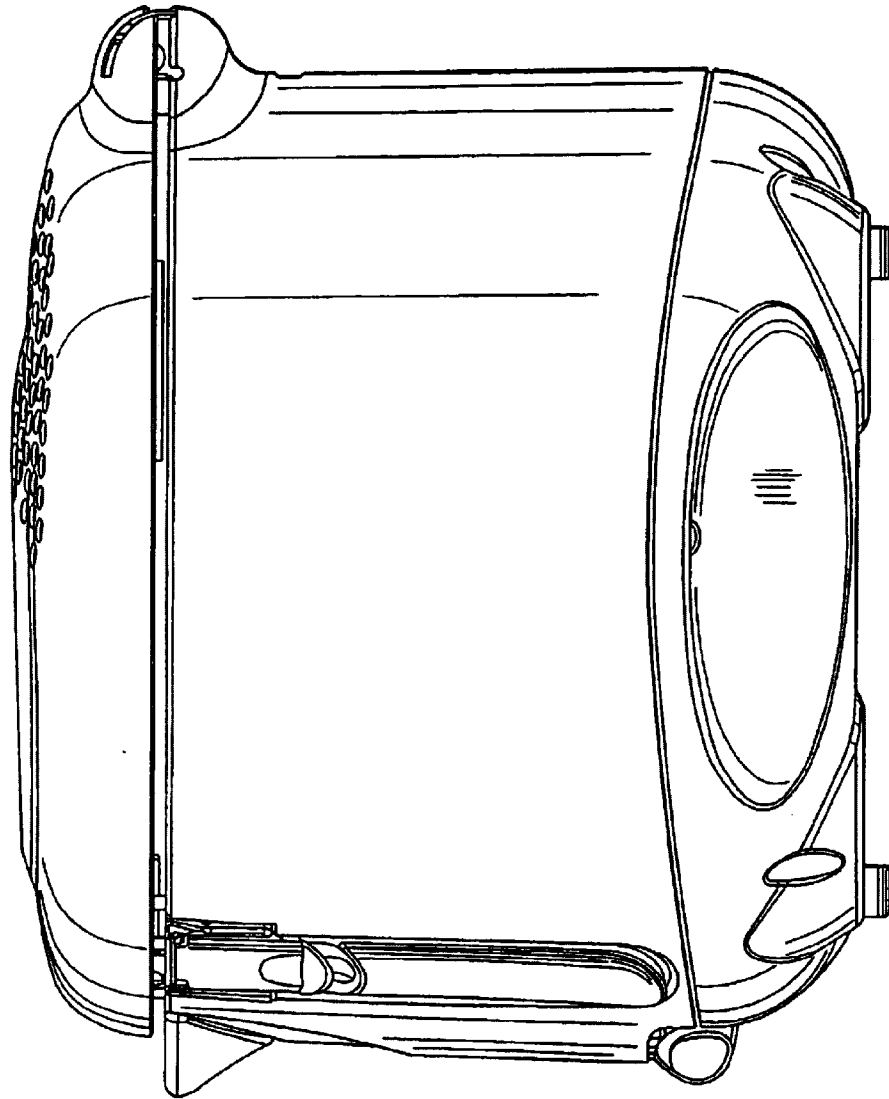


FIG. 3

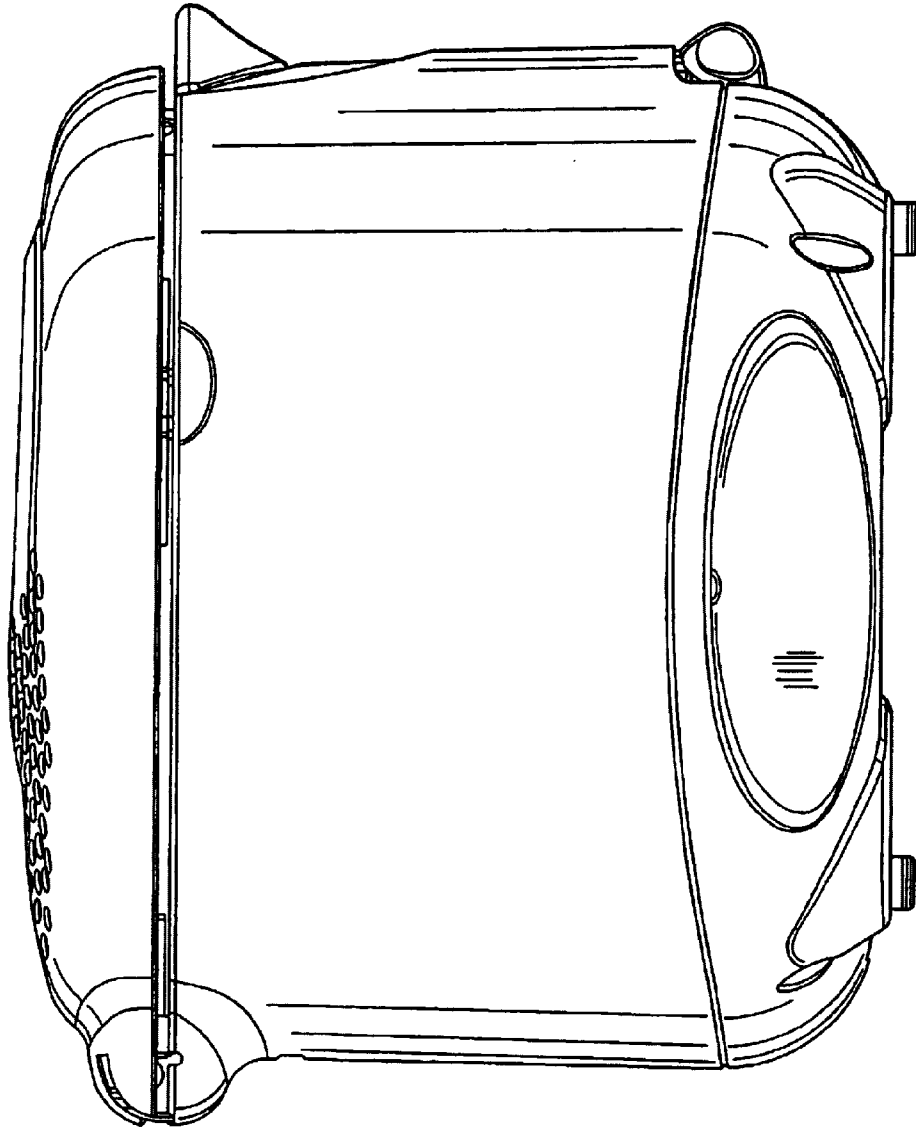


FIG. 4

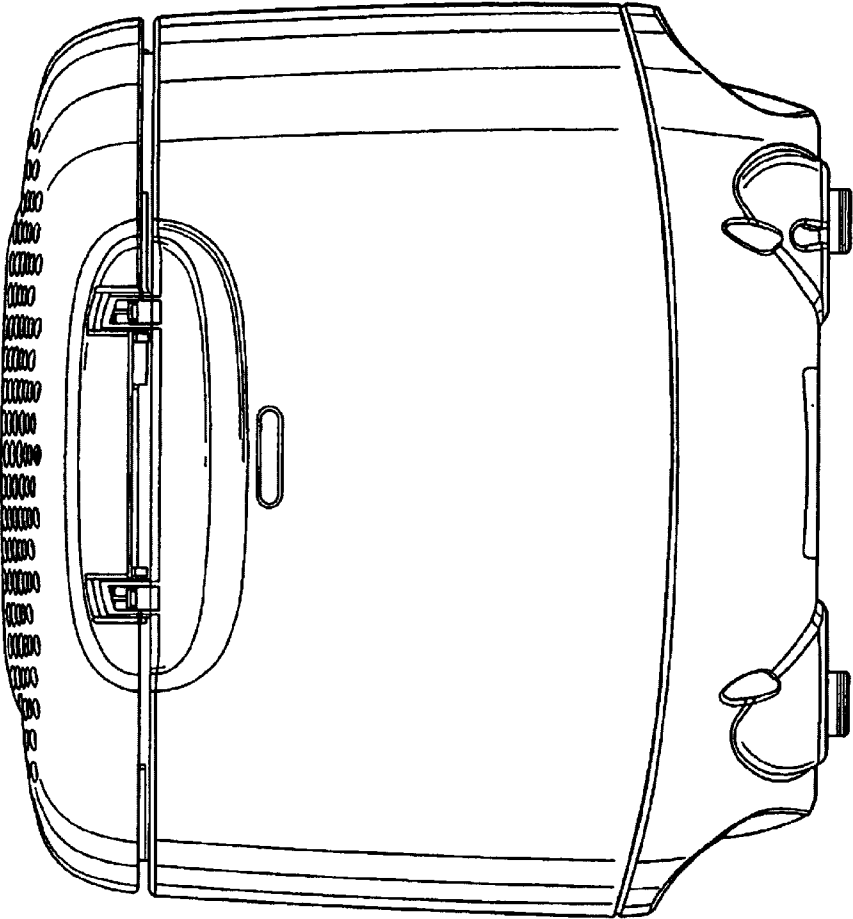


FIG. 5

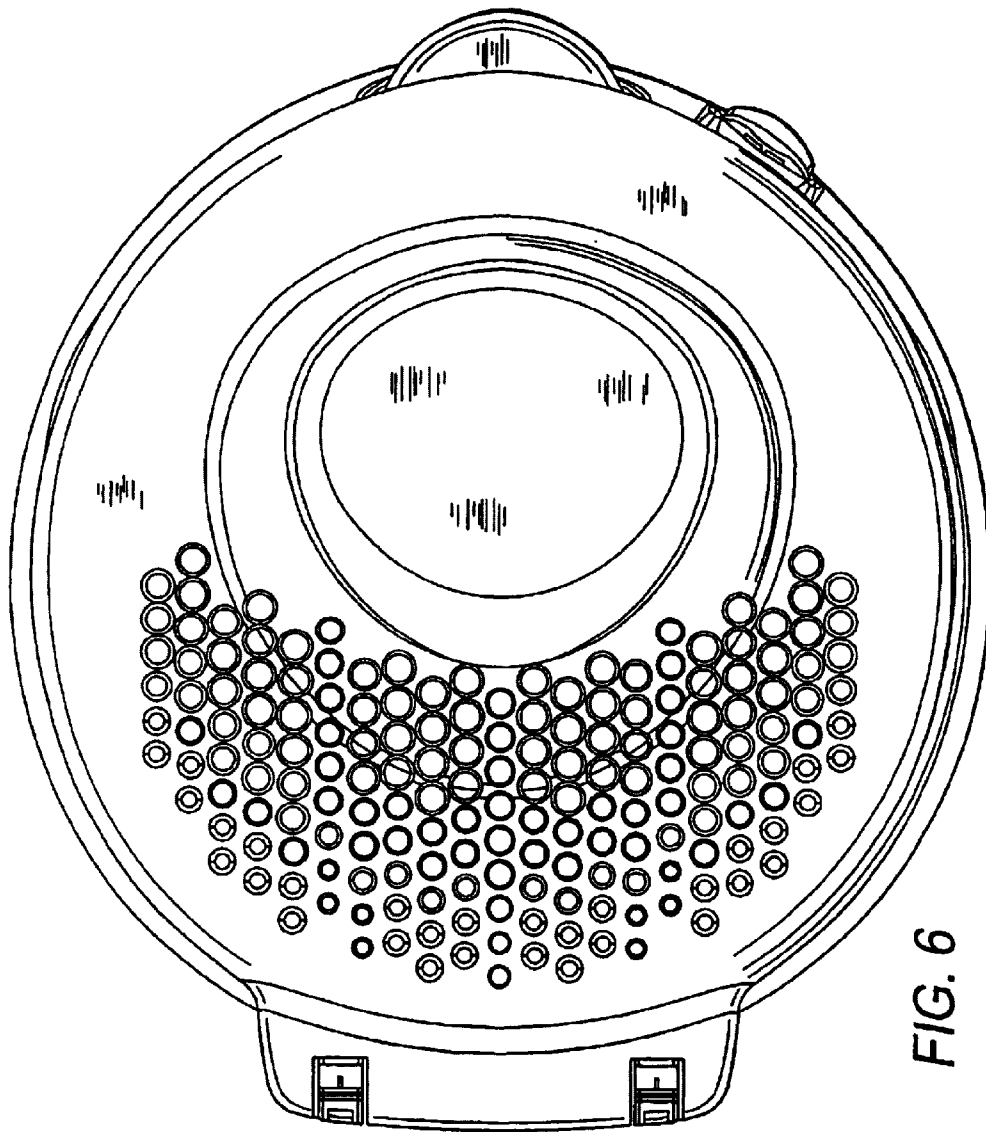


FIG. 6

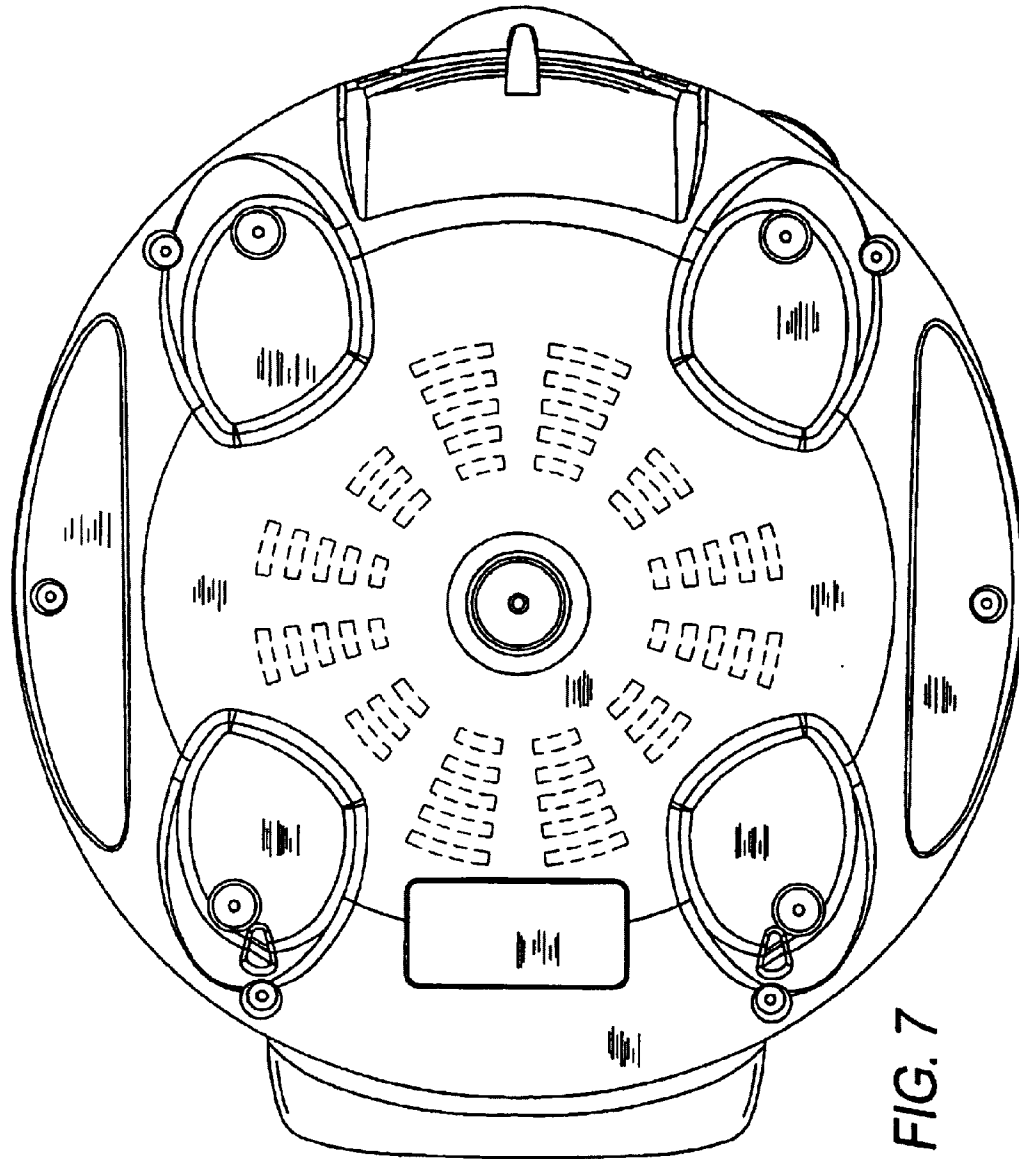


FIG. 7