



US00D717404S

(12) **United States Design Patent**
Bailey et al.

(10) **Patent No.:** **US D717,404 S**

(45) **Date of Patent:** **** Nov. 11, 2014**

(54) **VALVE SHROUD**

(71) Applicant: **Waxman Consumer Products Group Inc.**, Bedford Heights, OH (US)

(72) Inventors: **Mitchell Bailey**, Westlake, OH (US);
Matthew Smith, Wooster, OH (US)

(73) Assignee: **Waxman Consumer Products Group Inc.**, Bedford Heights, OH (US)

(**) Term: **14 Years**

(21) Appl. No.: **29/471,383**

(22) Filed: **Oct. 31, 2013**

(51) **LOC (10) Cl.** **23-01**

(52) **U.S. Cl.**

USPC **D23/249**

(58) **Field of Classification Search**

USPC D23/233–237, 244–249; 251/59, 30.01,
251/63.5, 250, 337, 129.11, 129.12, 259;
137/556, 322

See application file for complete search history.

(56) **References Cited**

U.S. PATENT DOCUMENTS

| | | | |
|--------------|---------|-----------------------|---------|
| D147,106 S * | 7/1947 | Bradstock et al. | D13/184 |
| D295,280 S * | 4/1988 | Walser | D23/249 |
| D349,327 S * | 8/1994 | Bonnell | D23/249 |
| D355,478 S * | 2/1995 | Allen et al. | D23/249 |
| D384,399 S * | 9/1997 | Doke | D23/235 |
| D416,310 S * | 11/1999 | Uehara et al. | D23/235 |
| D424,028 S * | 5/2000 | Vaiani | D13/184 |
| D424,529 S * | 5/2000 | Raspotnig | D13/184 |
| D598,982 S * | 8/2009 | Bharaj | D23/249 |
| D681,782 S * | 5/2013 | Bohm et al. | D23/233 |
| D686,697 S * | 7/2013 | Murase et al. | D23/233 |
| D687,124 S * | 7/2013 | Weingarten | D23/233 |
| D691,703 S * | 10/2013 | Iransy et al. | D23/233 |

| | | | |
|--------------|--------|--------------------|---------|
| D699,322 S * | 2/2014 | Matias et al. | D23/233 |
| D701,943 S * | 4/2014 | Gaertner | D23/233 |
| D704,307 S * | 5/2014 | Lloyd | D23/249 |

* cited by examiner

Primary Examiner — Cynthia Ramirez

(74) *Attorney, Agent, or Firm* — Tarolli, Sundheim,
Covell & Tummino LLP

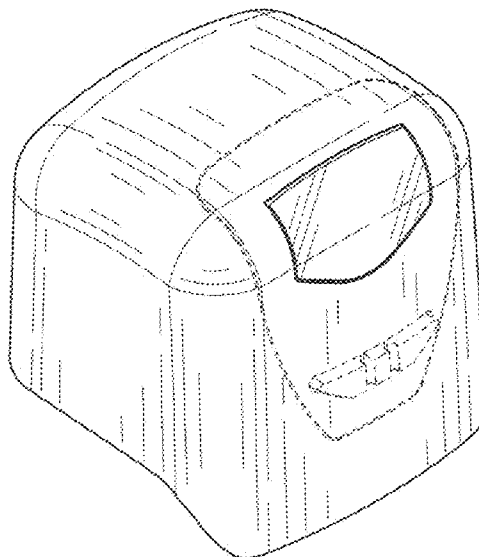
(57) **CLAIM**

The ornamental design for a valve shroud, as shown and described.

DESCRIPTION

FIG. 1 is a front, top, and left perspective view of a valve shroud illustrating our new ornamental design;
 FIG. 2 is a front, top, and right perspective view thereof;
 FIG. 3 is a rear, top, and right perspective view thereof;
 FIG. 4 is a rear, top, and left perspective view thereof;
 FIG. 5 is a front, bottom, and left perspective view thereof;
 FIG. 6 is a front, bottom, and right perspective view thereof;
 FIG. 7 is a rear, bottom, and right perspective view thereof;
 FIG. 8 is a rear, bottom, and left perspective view thereof;
 FIG. 9 is a front elevation view thereof;
 FIG. 10 is a rear elevation view thereof;
 FIG. 11 is a left elevation view thereof;
 FIG. 12 is a right elevation view thereof;
 FIG. 13 is a top plan view thereof;
 FIG. 14 is a bottom plan view thereof; and,
 FIG. 15 is a rear, top, and left perspective view thereof, illustrating one application of the valve shroud.
 Those portions of the Figures shown in broken and dashed lines are included for environmental purposes only and form no part of the claimed design.

1 Claim, 8 Drawing Sheets



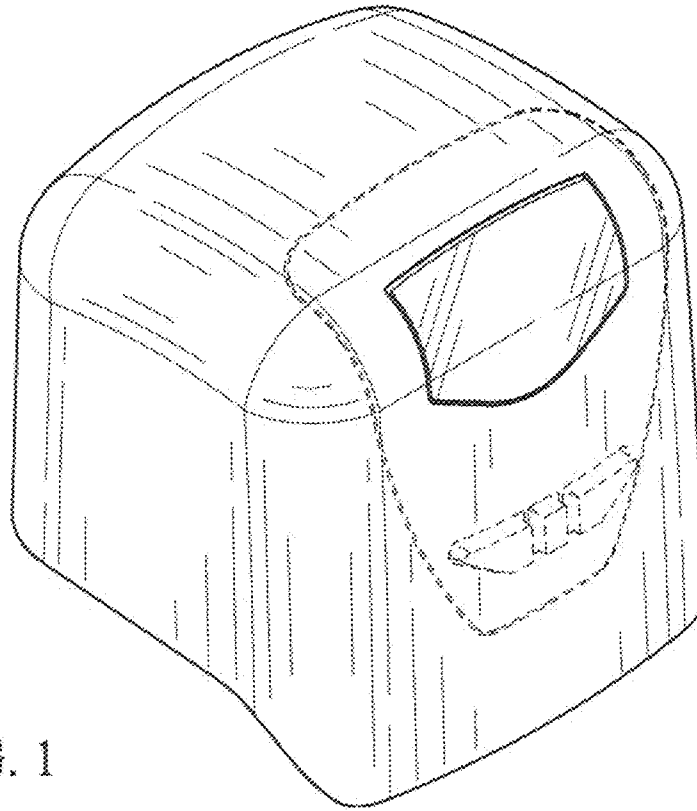


FIG. 1

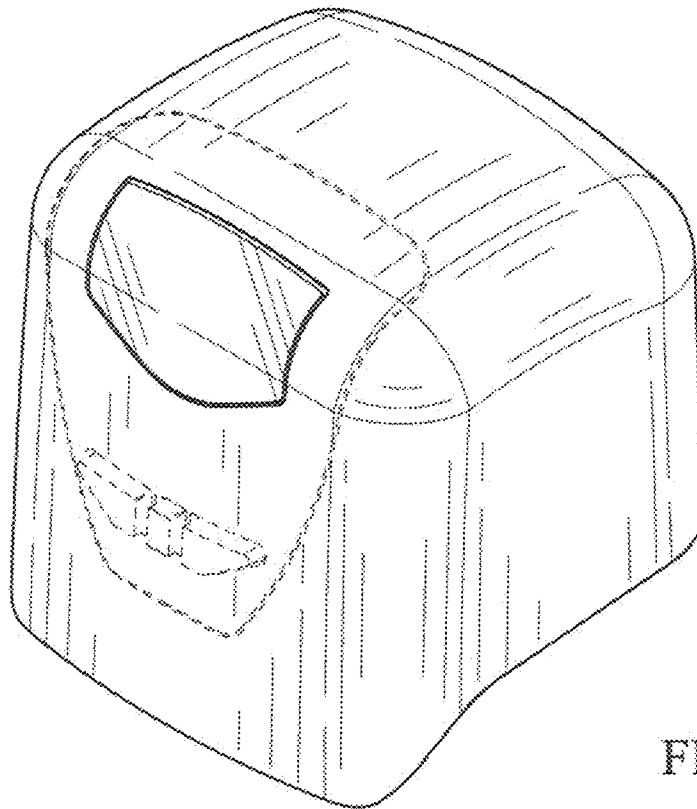


FIG. 2

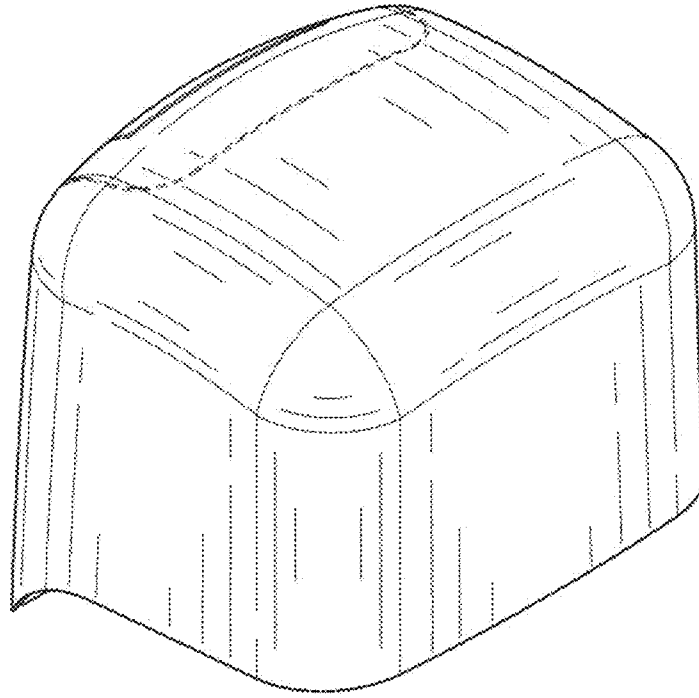


FIG. 3

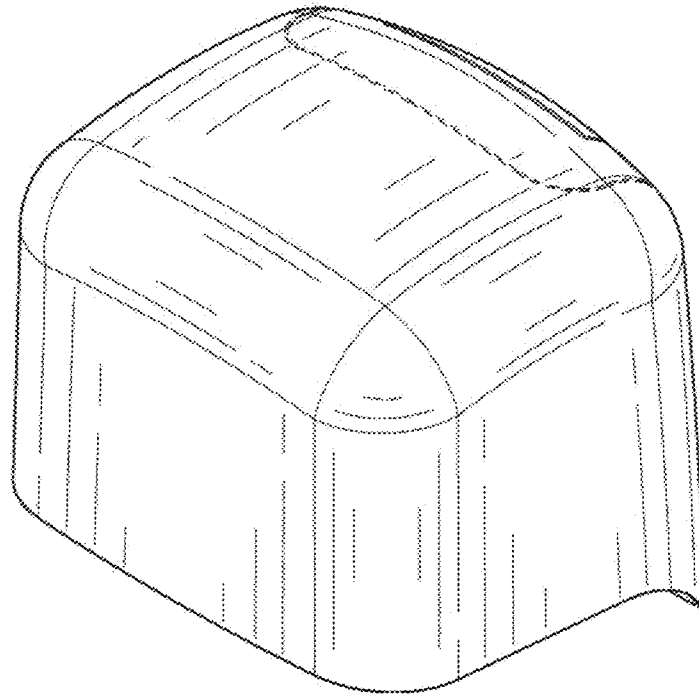


FIG. 4

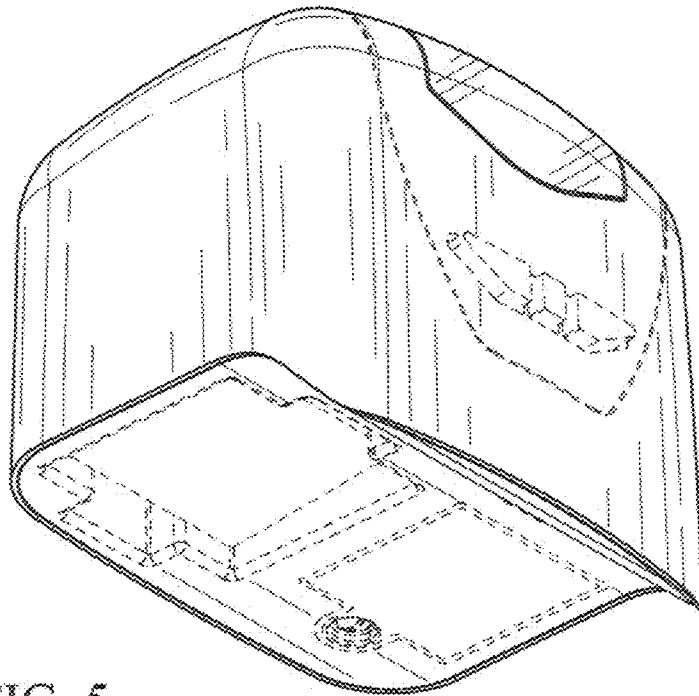


FIG. 5

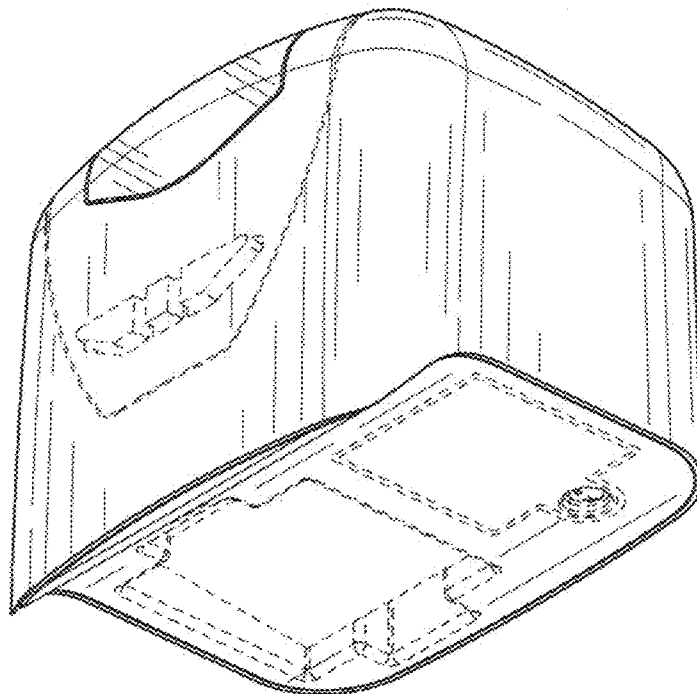


FIG. 6

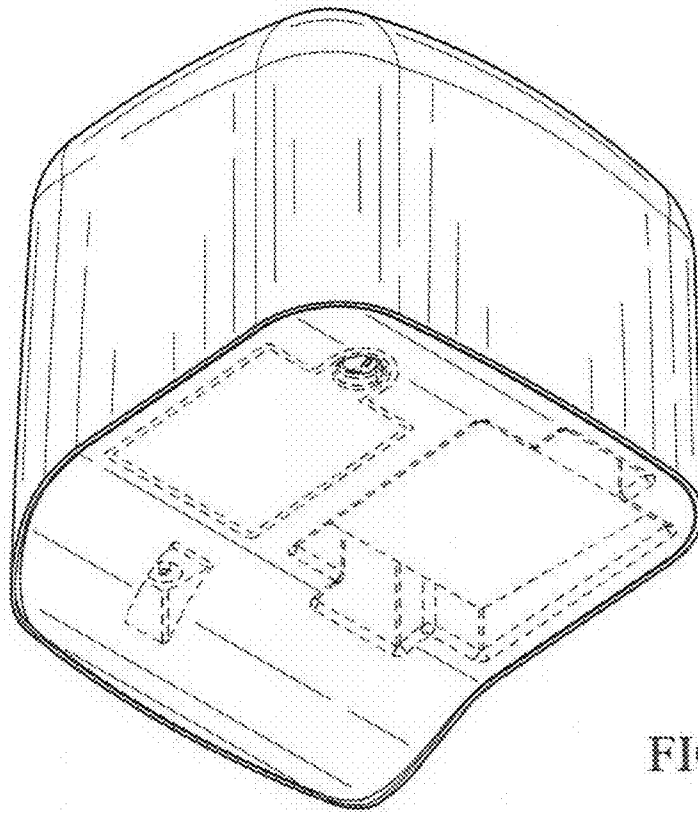


FIG. 7

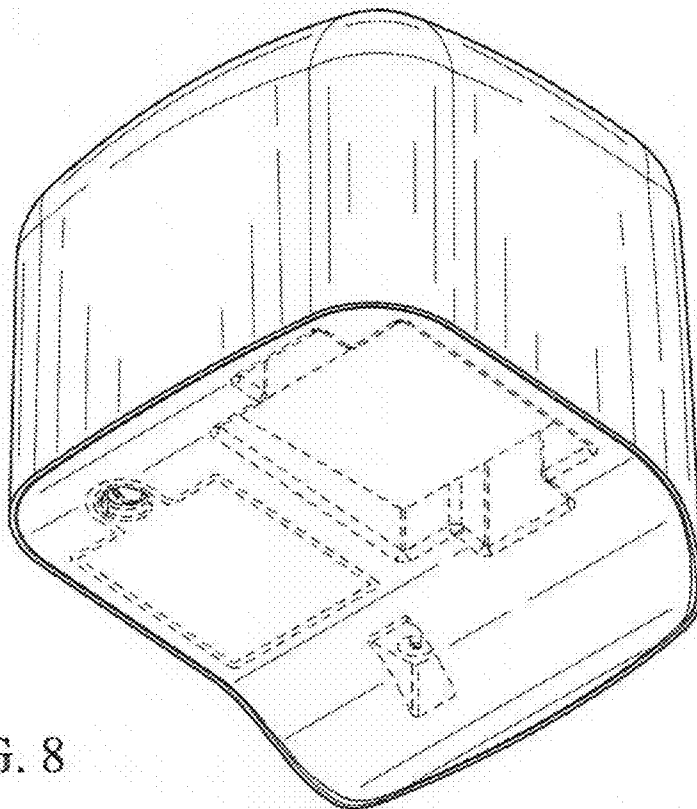


FIG. 8

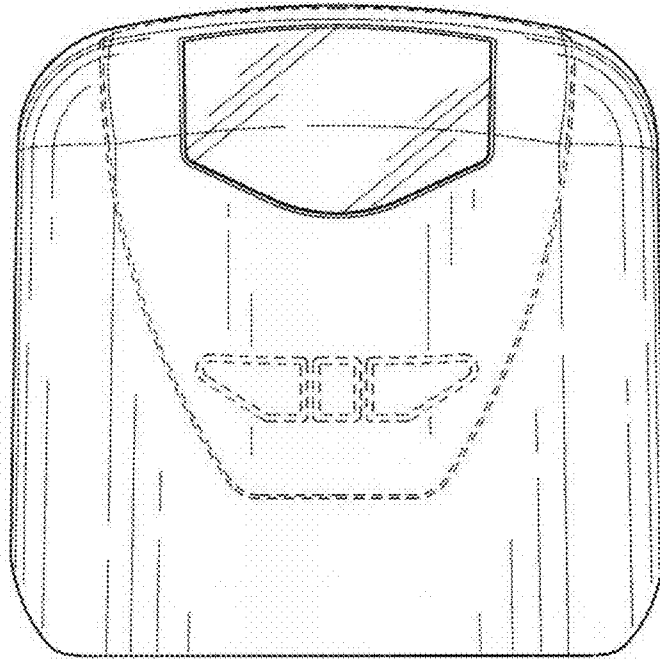


FIG. 9

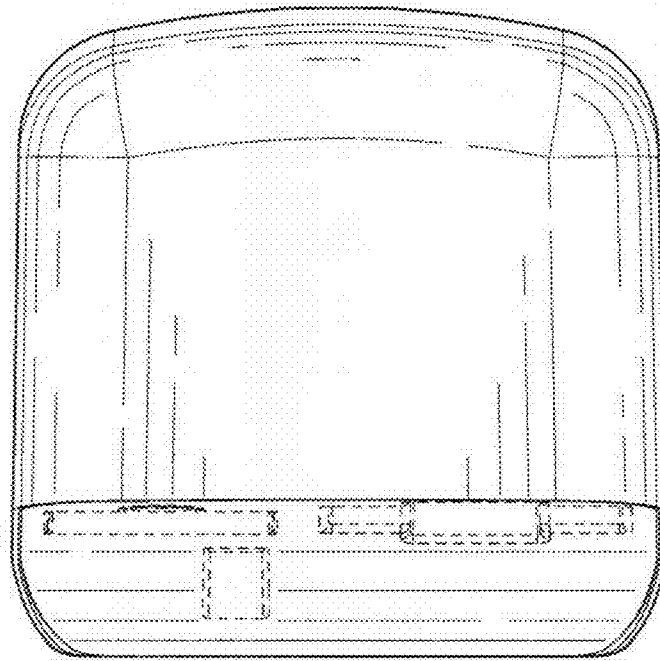


FIG. 10

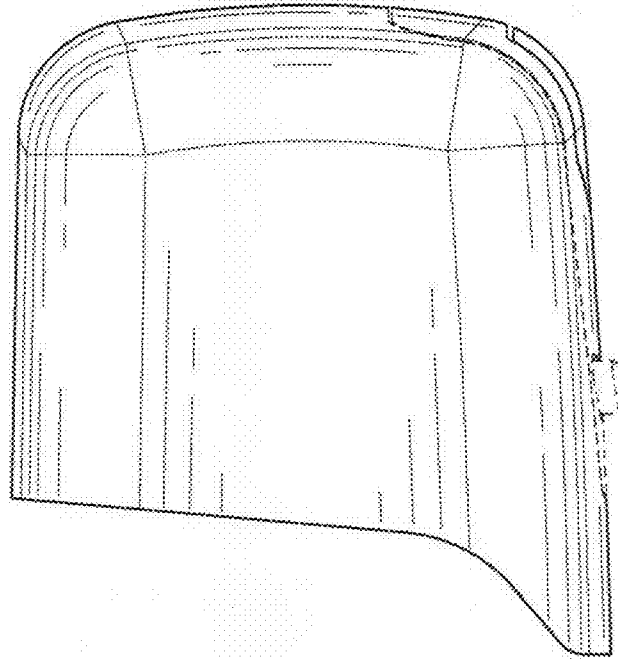


FIG. 11

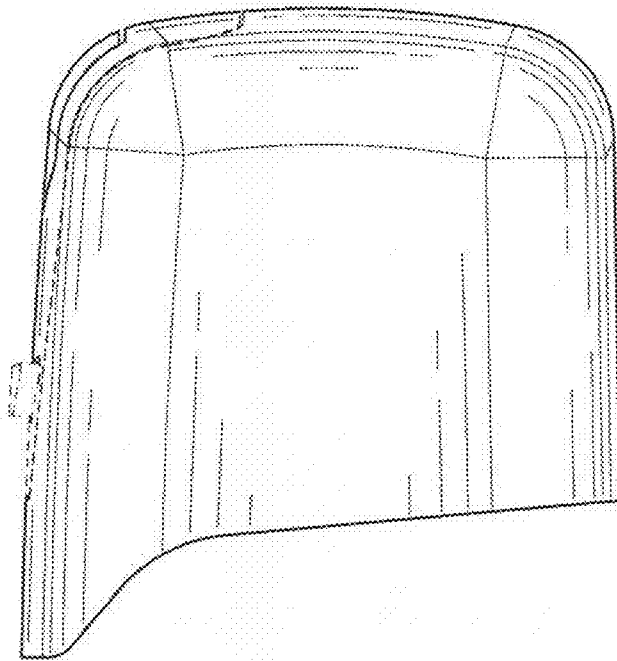


FIG. 12

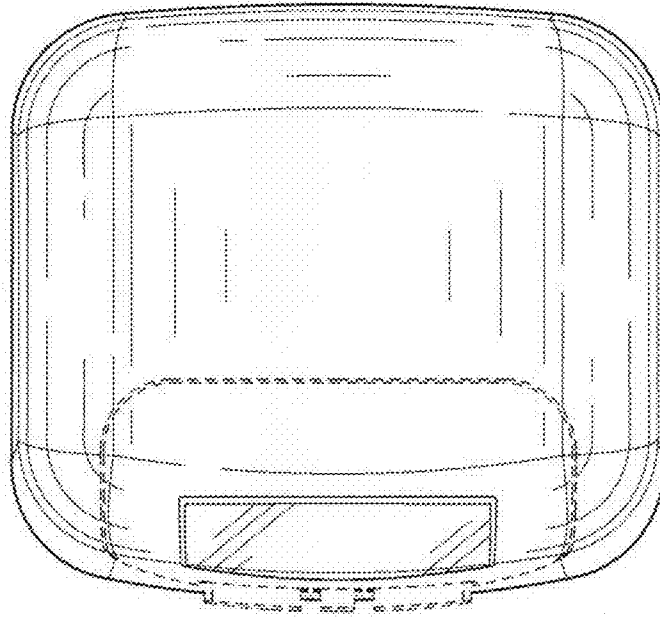


FIG. 13

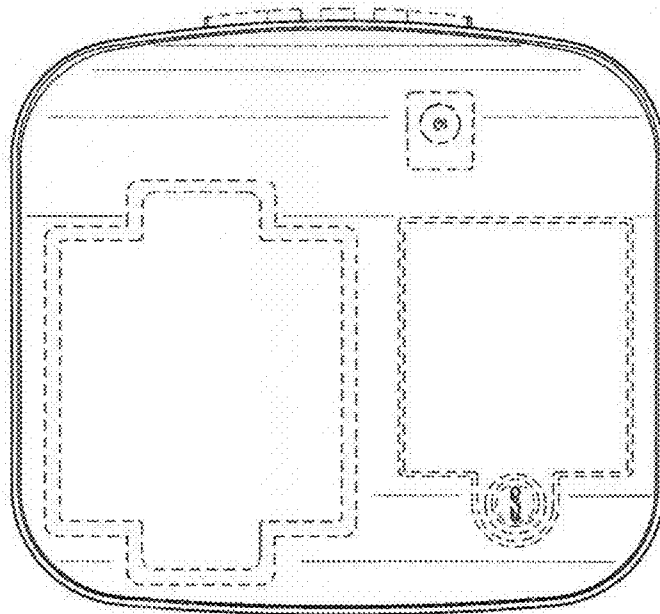


FIG. 14

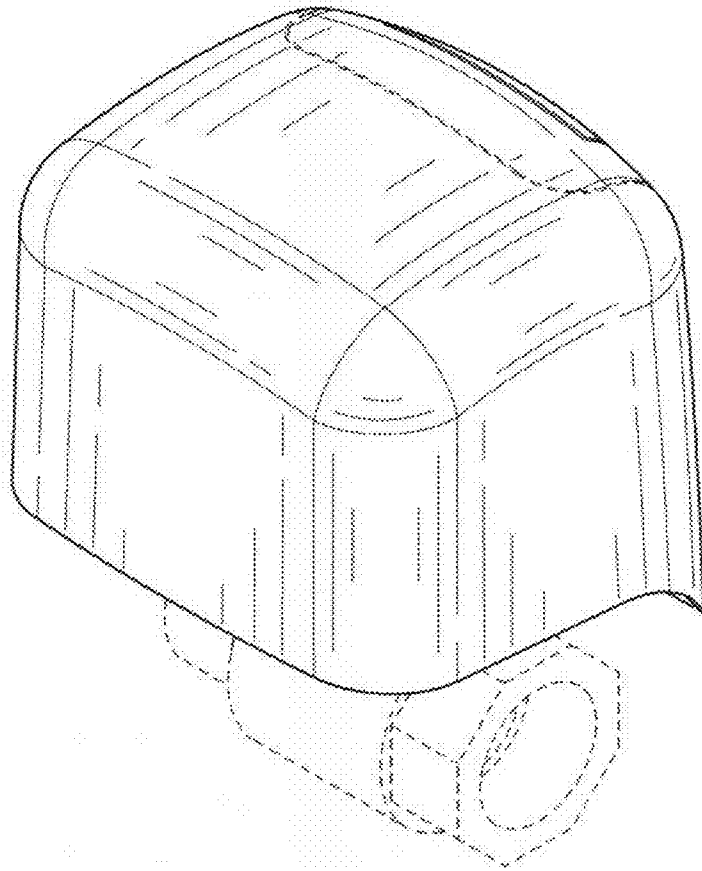


FIG. 15