



US00D364126S

# United States Patent [19]

Ochiai et al.

[11] Patent Number: Des. 364,126

[45] Date of Patent: \*\*Nov. 14, 1995

[54] **HOOK ATTACHMENT RING**

[75] Inventors: **Koichi Ochiai**, Hachioji; **Tomohisa Ishida**, Kamifukuoka, both of Japan

[73] Assignee: **Yoshida Kogyo K.K.**, Tokyo, Japan

[\*\*] Term: **14 Years**

[21] Appl. No.: **24,553**

[22] Filed: **Jun. 16, 1994**

[30] **Foreign Application Priority Data**

Dec. 20, 1993	[JP]	Japan	.....	5-38498
[52]	<b>U.S. Cl.</b>	.....	<b>D11/218;</b>	D11/200
[58]	<b>Field of Search</b>	.....	D11/200, 201,	D11/216, 217, 218, 220, 234; 24/196, 163 FC, 616; D2/639

[56] **References Cited**

**U.S. PATENT DOCUMENTS**

79,912	11/1929	Shields	.....	D11/218
79,914	11/1929	Vaisey	.....	D11/218
82,854	12/1930	Shields	.....	D11/218

D. 224,283	7/1972	Tixier	.....	D11/216
D. 333,804	3/1993	Franklin	.....	D11/200
2,388,316	11/1945	Elwell	.....	24/170

*Primary Examiner*—Ralf T. Seifert  
*Attorney, Agent, or Firm*—Hill, Steadman & Simpson

[57] **CLAIM**

The ornamental design for hook attachment ring, as shown.

**DESCRIPTION**

FIG. 1 is a front view of a hook attachment ring; FIG. 2 is a plan view of the hook attachment ring of FIG. 1; FIG. 3 is a base view of the hook attachment ring of FIG. 1; FIG. 4 is a right side view of the hook attachment ring of FIG. 1; FIG. 5 is a cross-sectional view taken on line A—A of FIG. 1; and, FIG. 6 is an explanatory view showing the hook attachment ring of FIG. 1 in use.

The broken line showing of a hook and partial straps is for illustrative purposes only and forms no part of the claimed design.

**1 Claim, 2 Drawing Sheets**

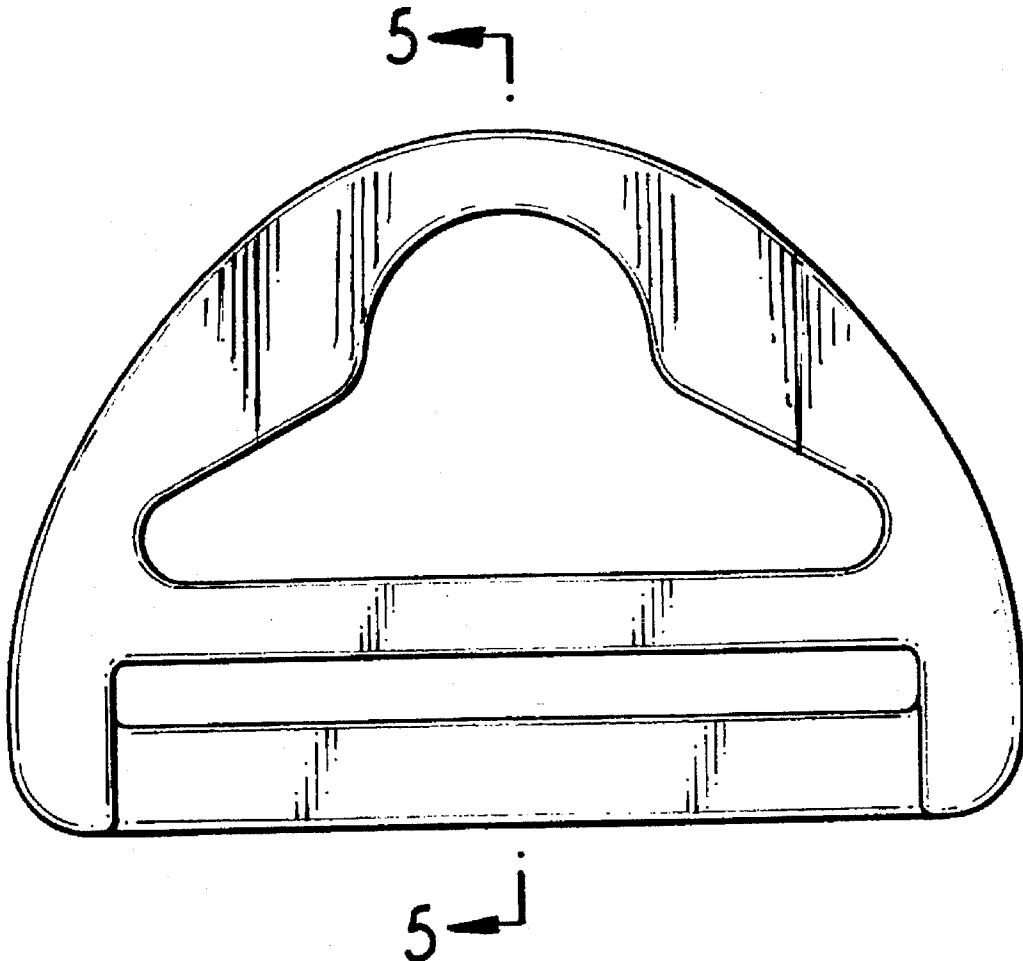


FIG. 1

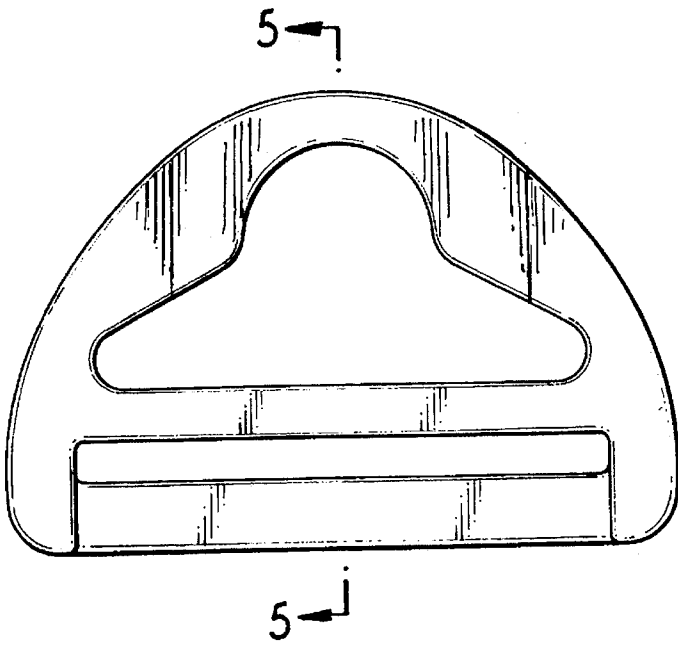


FIG. 4

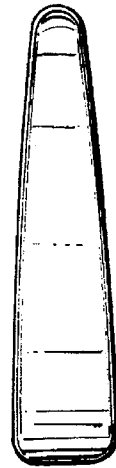


FIG. 2

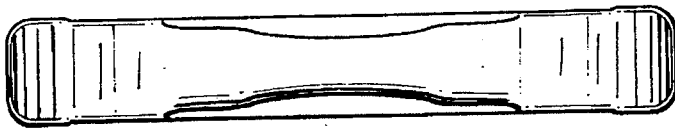


FIG. 5



FIG. 3



FIG. 6

