



US00D773720S

(12) **United States Design Patent**  
**Lin**

(10) **Patent No.:** **US D773,720 S**

(45) **Date of Patent:** **\*\* Dec. 6, 2016**

- (54) **ADAPTER FOR TRACKLIGHT**
- (71) Applicant: **Westport International Co., Ltd.**,  
Taoyuan, Taoyuan County (TW)
- (72) Inventor: **Shan Chaing Lin**, Taoyuan (TW)
- (73) Assignee: **Westport International Co., Ltd.**,  
Taoyuan, Taoyuan County
- (\*\*) Term: **14 Years**

D493,138 S *	7/2004	Jiang	.....	D13/110
D564,121 S *	3/2008	Lin	.....	D26/64
D582,088 S *	12/2008	Lin	.....	D26/64
D647,657 S *	10/2011	Janssen	.....	D26/63
D715,220 S *	10/2014	Lin	.....	D13/110
D715,221 S *	10/2014	Lin	.....	D13/110
D731,449 S *	6/2015	Norman	.....	D13/184

- (21) Appl. No.: **29/514,990**
- (22) Filed: **Jan. 19, 2015**
- (51) **LOC (10) Cl.** ..... **13-02**
- (52) **U.S. Cl.**  
USPC ..... **D26/110**
- (58) **Field of Classification Search**  
USPC ..... D26/60-66, 138; D13/110, 107, 108,  
D13/123, 133, 135, 137.1, 138.1, 199;  
174/53, 174/54  
CPC ..... H01R 25/00; H01R 25/14; F16J 1/16  
See application file for complete search history.

**OTHER PUBLICATIONS**

Google search: <https://www.etsy.com/listing/83099134/track-light-adapter> Retrieved via Google search Aug. 25, 2016. Available online since Oct. 18, 2011.\*  
 Google search: [http://www.brandlighting.com/track\\_lighting.htm](http://www.brandlighting.com/track_lighting.htm). Retrieved via Google search Aug. 25, 2016. Available online since Jun. 8, 2014.\*

\* cited by examiner

*Primary Examiner* — Eric Goodman  
*Assistant Examiner* — Christopher J Matthews

(57) **CLAIM**

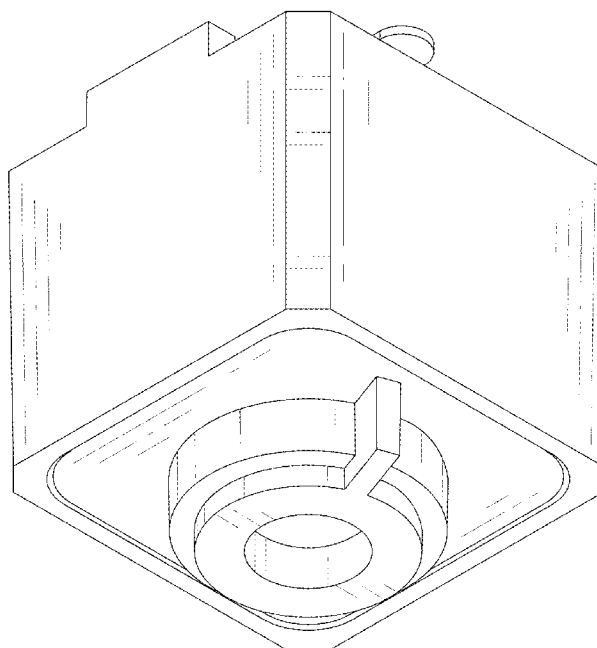
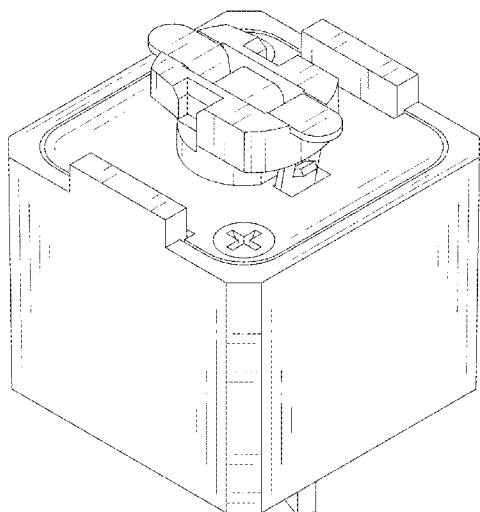
The ornamental design for an adapter for tracklight, as shown.

**DESCRIPTION**

FIG. 1 is a front perspective view of an adapter for tracklight showing my new design;  
 FIG. 2 is a front elevational view thereof;  
 FIG. 3 is a rear elevational view thereof;  
 FIG. 4 is a left side elevational view thereof;  
 FIG. 5 is a right side elevational view thereof;  
 FIG. 6 is a top plan view thereof;  
 FIG. 7 is a bottom plan view thereof; and,  
 FIG. 8 is a bottom perspective view thereof.

**1 Claim, 8 Drawing Sheets**

- (56) **References Cited**  
U.S. PATENT DOCUMENTS
- |               |         |         |       |                       |
|---------------|---------|---------|-------|-----------------------|
| D292,235 S *  | 10/1987 | Roos    | ..... | D26/65                |
| D315,419 S *  | 3/1991  | Layne   | ..... | D26/63                |
| D345,616 S *  | 3/1994  | Lin     | ..... | D26/63                |
| D370,990 S *  | 6/1996  | Lin     | ..... | D26/63                |
| 5,788,518 A * | 8/1998  | Wachter | ..... | F21V 21/30<br>362/287 |
| D424,017 S *  | 5/2000  | Lin     | ..... | D13/133               |
| D488,247 S *  | 4/2004  | Lin     | ..... | D26/64                |



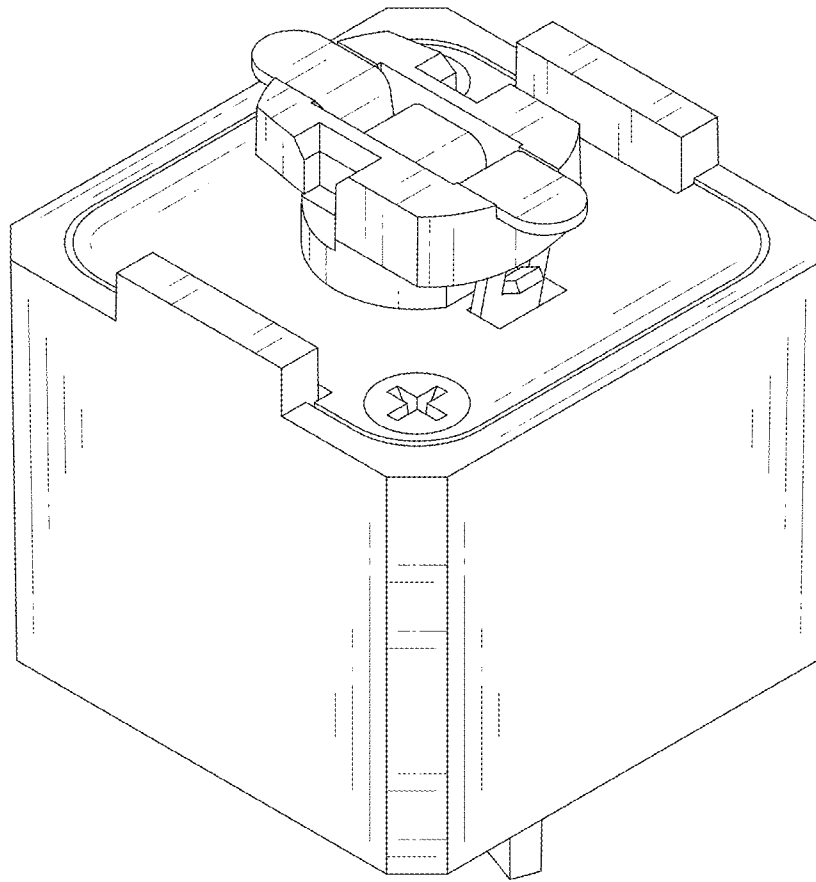


Fig.1

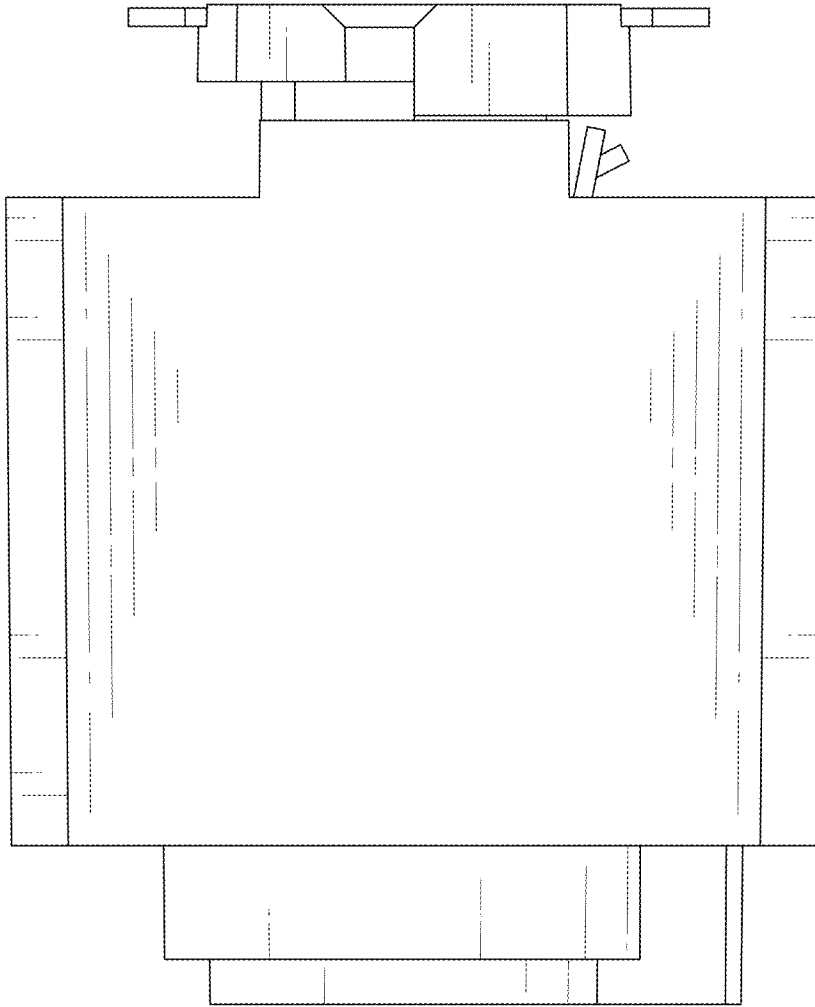


Fig.2

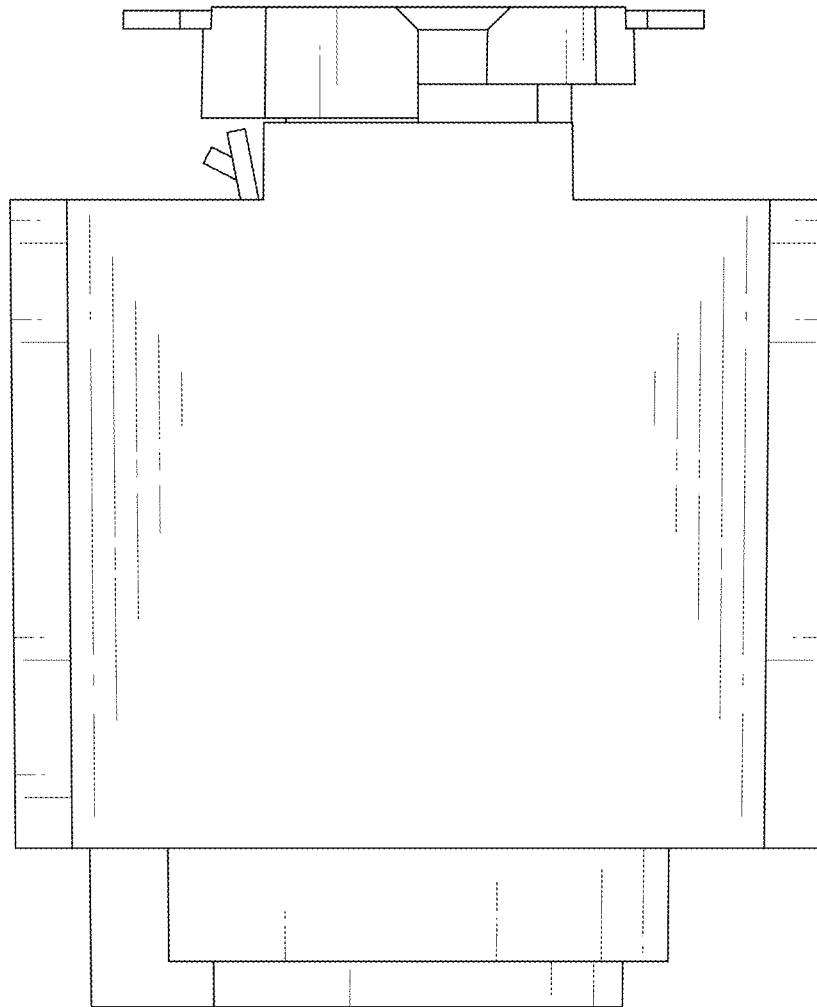


Fig.3

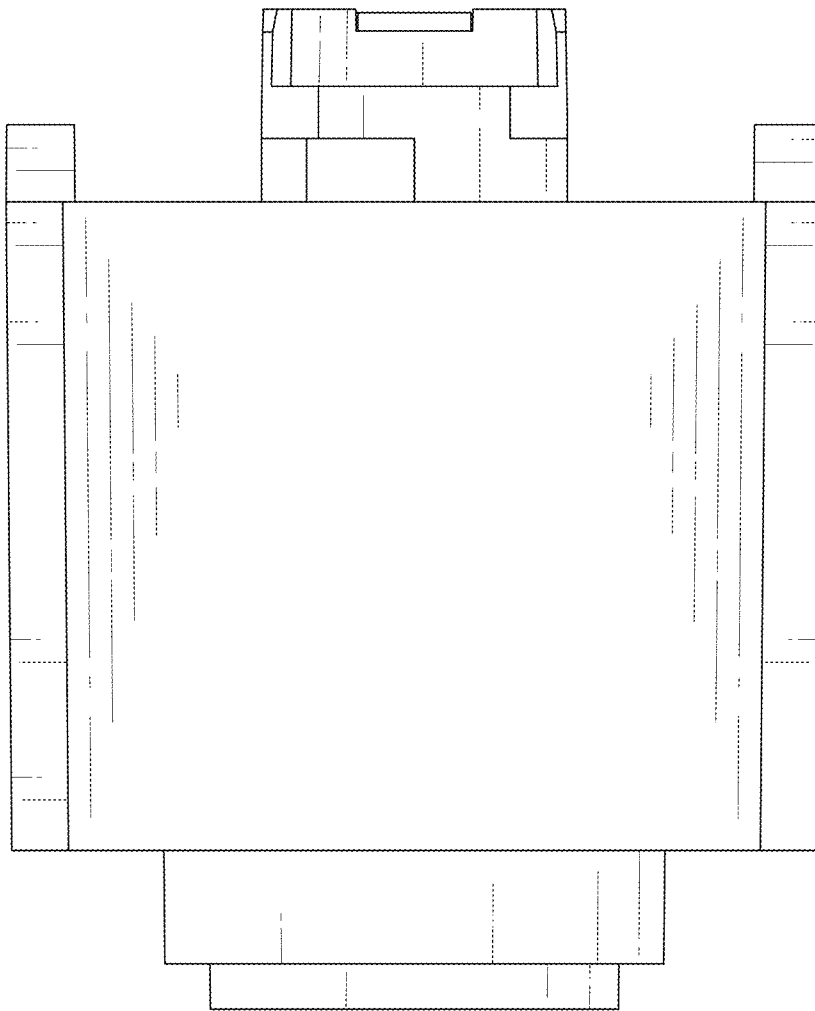


Fig.4

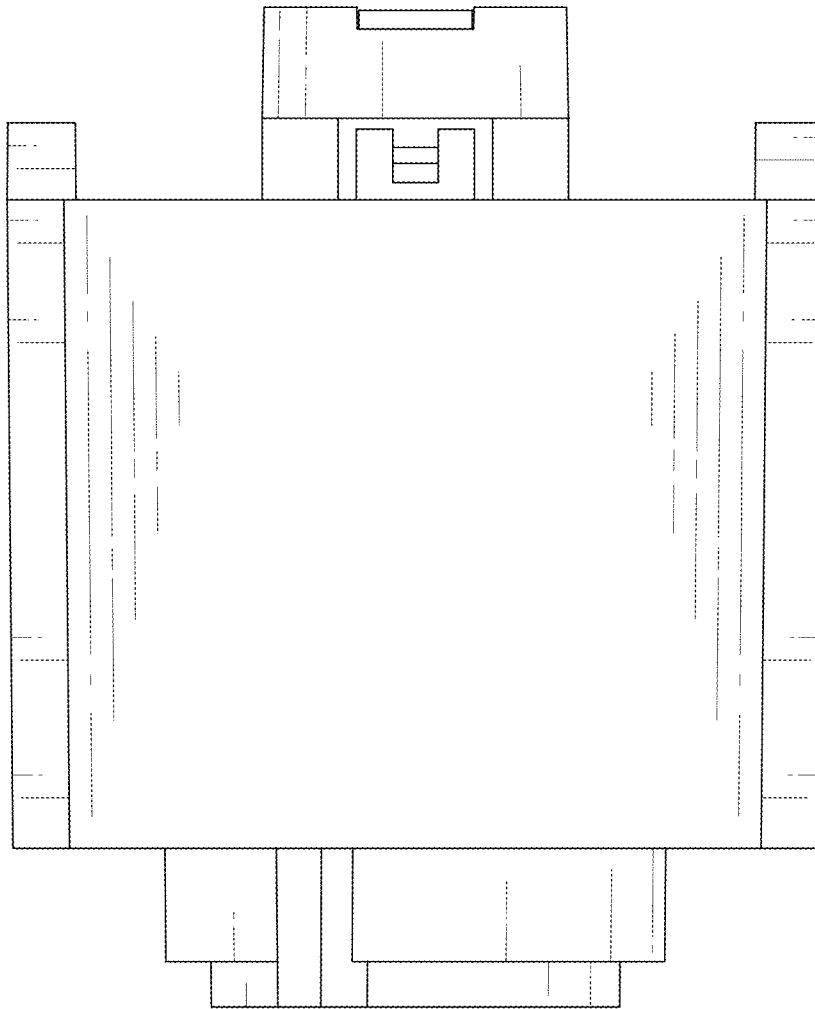


Fig.5

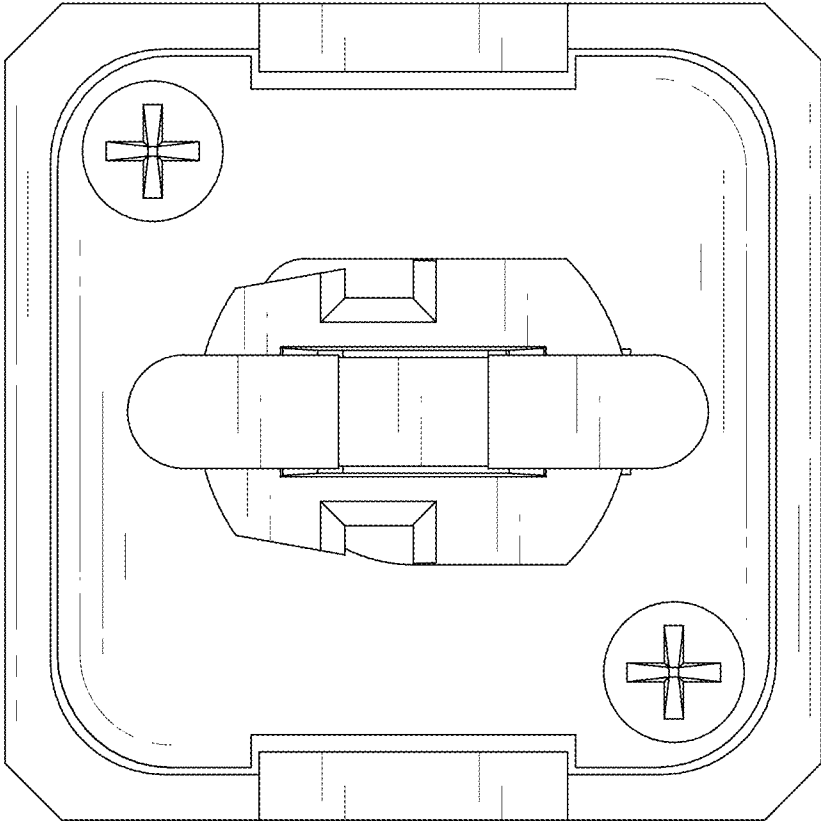


Fig.6

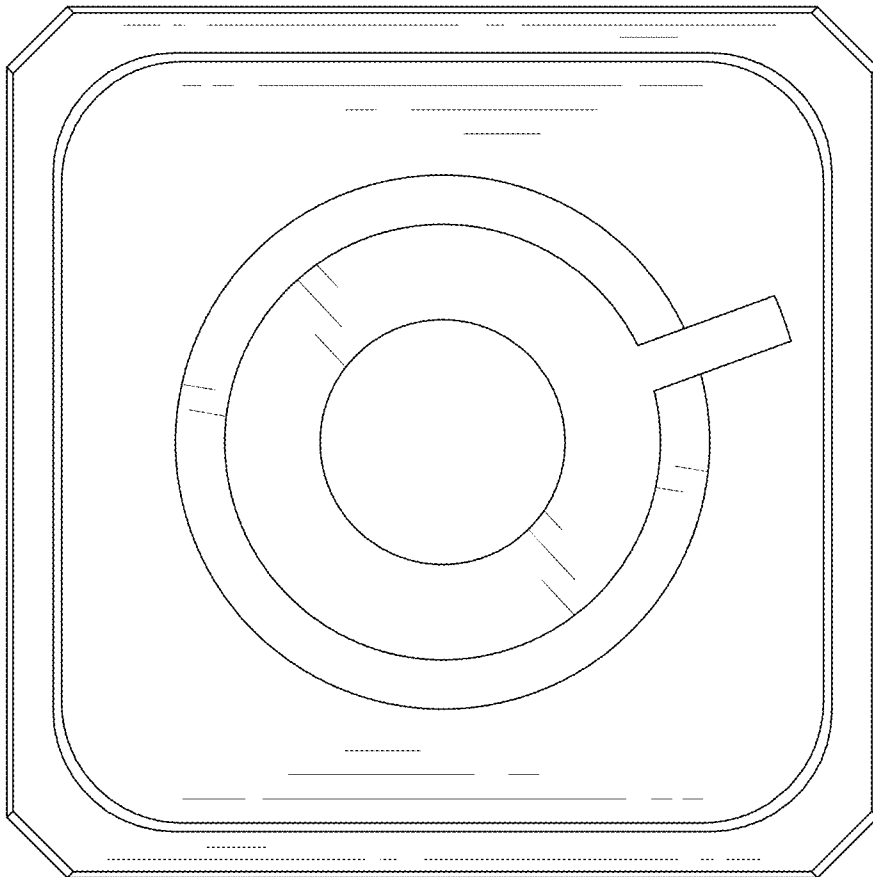


Fig.7



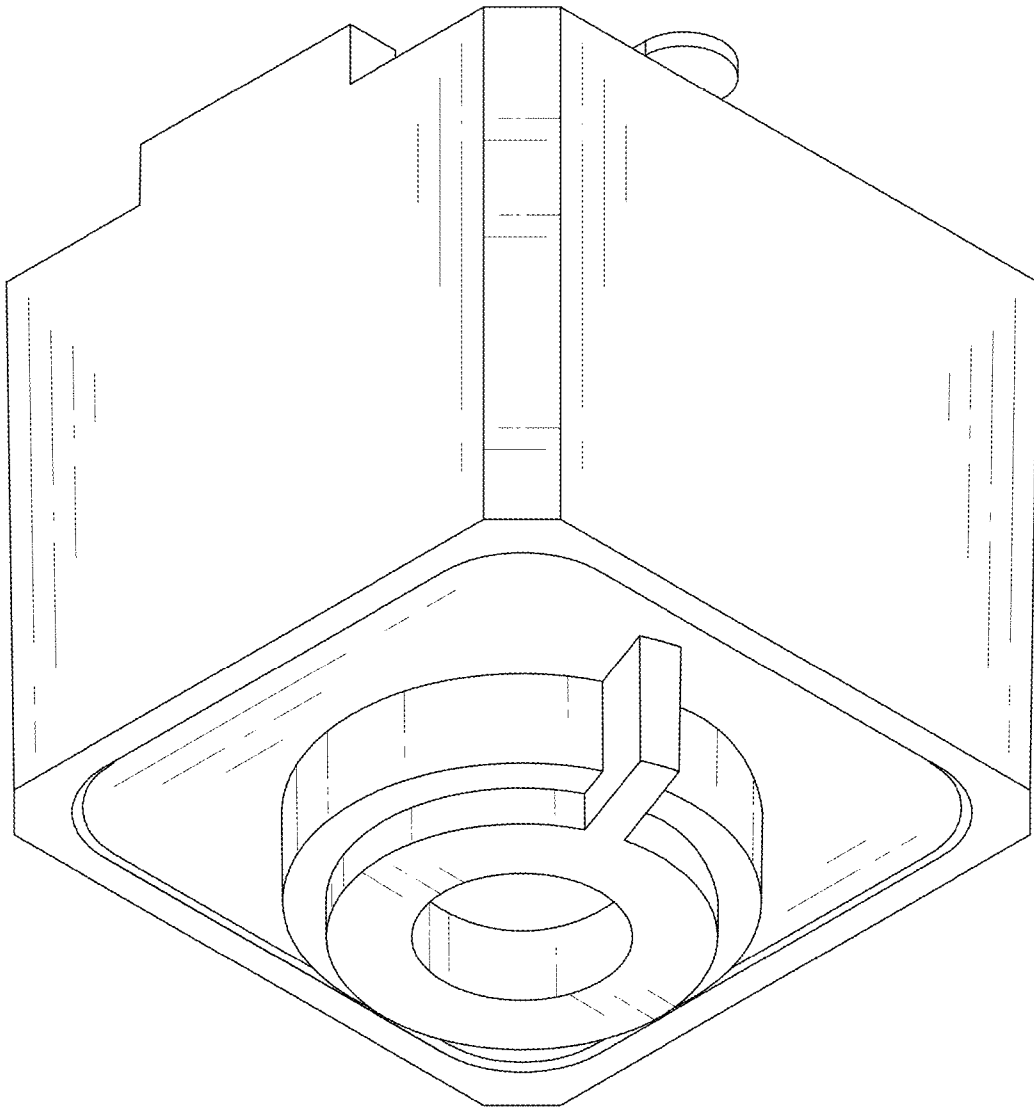


Fig.8