

(19) World Intellectual Property
Organization
International Bureau



(43) International Publication Date
27 December 2002 (27.12.2002)

PCT

(10) International Publication Number
WO 2002/103250 A3

(51) International Patent Classification⁷: F24F 13/14, 1/00

(21) International Application Number:
PCT/KR2002/001150

(22) International Filing Date: 18 June 2002 (18.06.2002)

(25) Filing Language: English

(26) Publication Language: English

(30) Priority Data:
2001/34839 19 June 2001 (19.06.2001) KR
2001/34840 19 June 2001 (19.06.2001) KR

(71) Applicant (for all designated States except US): **LG ELECTRONICS INC.** [KR/KR]; 20, Yoido-dong, Youngdungpo-gu, Seoul 150-721 (KR).

(72) Inventors; and

(75) Inventors/Applicants (for US only): **LEE, Kam-Gyu** [KR/KR]; 210-604 LG Apt., Kaegum 3-dong, Pusan-jin-gu, Busankwangyeok-shi 614-113 (KR). **OCK,**

Ju-Ho [KR/KR]; 155-14 Hapsong 2-dong, Hoewon-gu, Masan-shi, Kyongsangnam-do 630-522 (KR). **HWANG, Sung-Jin** [KR/KR]; 63-5 Sapa-dong, Changwon-shi, Kyongsangnam-do 641-550 (KR).

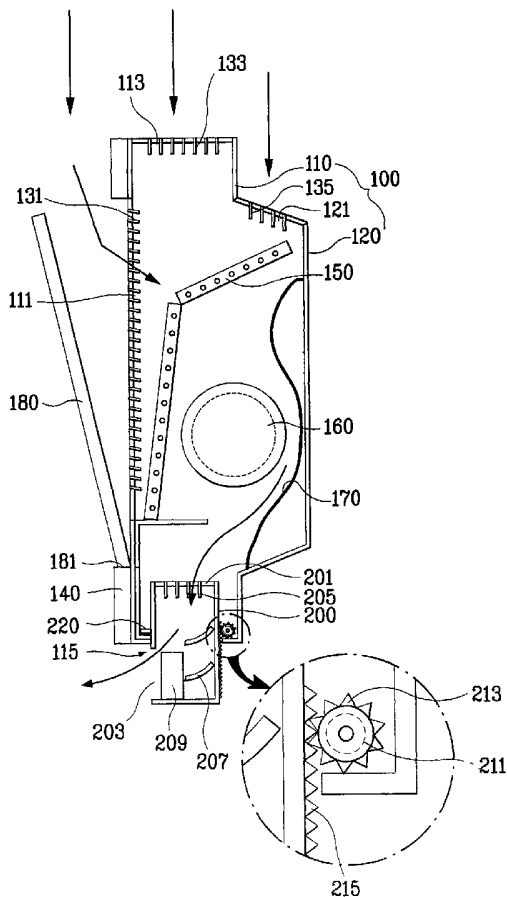
(74) Agents: **BAHNG, Hae-Cheol** et al.; Kims International Patent & Law Office, 15th Floor Yo Sam Building, 648-23 Yeoksam-dong, Kangnam-gu, 135-080 Seoul (KR).

(81) Designated States (national): AE, AG, AL, AM, AT, AU, AZ, BA, BB, BG, BR, BY, BZ, CA, CH, CO, CR, CU, CZ, DE, DK, DM, DZ, EC, EE, ES, FI, GB, GD, GE, GH, GM, HR, HU, ID, IL, IN, IS, JP, KE, KG, KP, KZ, LC, LK, LR, LS, LT, LU, LV, MA, MD, MG, MK, MN, MW, MX, MZ, NO, NZ, OM, PH, PL, PT, RO, RU, SD, SE, SG, SI, SK, SL, TJ, TM, TN, TR, TT, TZ, UA, UG, US, UZ, VN, YU, ZA, ZM, ZW.

(84) Designated States (regional): ARIPO patent (GH, GM, KE, LS, MW, MZ, SD, SL, SZ, TZ, UG, ZM, ZW), Eurasian patent (AM, AZ, BY, KG, KZ, MD, RU, TJ, TM),

[Continued on next page]

(54) Title: AIR CONDITIONER



(57) Abstract: Air conditioner including a main chassis (100) which forms an outer shape, a heat exchanger (150) in the main chassis (100), for heat exchange of room air with a working fluid, a blower (160) in the main chassis (100) for forced circulation of room air toward the heat exchanger (150); and discharge means in the main chassis (100) movable into/out of the main chassis (100) for discharge of air into a room.

WO 2002/103250 A3



European patent (AT, BE, CH, CY, DE, DK, ES, FI, FR, GB, GR, IE, IT, LU, MC, NL, PT, SE, TR), OAPI patent (BF, BJ, CF, CG, CI, CM, GA, GN, GQ, GW, ML, MR, NE, SN, TD, TG).

(88) Date of publication of the international search report:
23 September 2004

Published:

— *with international search report*

For two-letter codes and other abbreviations, refer to the "Guidance Notes on Codes and Abbreviations" appearing at the beginning of each regular issue of the PCT Gazette.

INTERNATIONAL SEARCH REPORT

International application No.
PCT/KR 2002/001150

CLASSIFICATION OF SUBJECT MATTER

IPC⁷: F24F 13/14, 1/00

According to International Patent Classification (IPC) or to both national classification and IPC

B. FIELDS SEARCHED

Minimum documentation searched (classification system followed by classification symbols)

IPC⁷: F24F

Documentation searched other than minimum documentation to the extent that such documents are included in the fields searched

Electronic data base consulted during the international search (name of data base and, where practicable, search terms used)

EpoDoc WPI PAJ

C. DOCUMENTS CONSIDERED TO BE RELEVANT

Category	Citation of document, with indication, where appropriate, of the relevant passages	Relevant to claim No.
A	US 5194043 A (TAKAHASHI) 16 March 1993 (16.03.1993) <i>the whole document.</i> -----	1-30

 Further documents are listed in the continuation of Box C. See patent family annex.

* Special categories of cited documents:

„A“ document defining the general state of the art which is not considered to be of particular relevance

„E“ earlier application or patent but published on or after the international filing date

„L“ document which may throw doubts on priority claim(s) or which is cited to establish the publication date of another citation or other special reason (as specified)

„O“ document referring to an oral disclosure, use, exhibition or other means

„P“ document published prior to the international filing date but later than the priority date claimed

„T“ later document published after the international filing date or priority date and not in conflict with the application but cited to understand the principle or theory underlying the invention

„X“ document of particular relevance; the claimed invention cannot be considered novel or cannot be considered to involve an inventive step when the document is taken alone

„Y“ document of particular relevance; the claimed invention cannot be considered to involve an inventive step when the document is combined with one or more other such documents, such combination being obvious to a person skilled in the art

„&“ document member of the same patent family

Date of the actual completion of the international search

18 June 2004 (18.06.2004)

Date of mailing of the international search report

6 July 2004 (06.07.2004)

Name and mailing address of the ISA/AT

Austrian Patent Office

Dresdner Straße 87, A-1200 Vienna

Facsimile No. 1/53424/535

Authorized officer

LOSENICKY G.

Telephone No. 1/53424/372

INTERNATIONAL SEARCH REPORT

Information on patent family members

International application No.

PCT/KR 02/01150

Patent document cited in search report			Publication date	Patent family member(s)			Publication date
US	A	5194043	1993-03-16	KR	B	9309615	1993-10-07
				JP	A	3067950	1991-03-22
				JP	A	3039860	1991-02-20
				JP	A	3001038	1991-01-07