



US00D789681S

(12) **United States Design Patent**
Grisamore

(10) **Patent No.:** **US D789,681 S**

(45) **Date of Patent:** **** Jun. 20, 2017**

(54) **HOLSTER**

D657,551 S * 4/2012 Lynn D3/215

D710,595 S * 8/2014 Clifton, Jr. F41C 33/043

D3/215

D745,776 S * 12/2015 Perreault D3/215

(71) Applicant: **Grizzly Guard LLC**, Butte, MT (US)

(72) Inventor: **Dennis Grisamore**, Helena, MT (US)

* cited by examiner

(73) Assignee: **Grizzly Guard LLC**, Butte, MT (US)

Primary Examiner — Catheri Oliver-Garcia

(**) Term: **15 Years**

(74) *Attorney, Agent, or Firm* — Renner, Otto, Boisselle & Sklar, LLP

(21) Appl. No.: **29/563,098**

(22) Filed: **May 2, 2016**

(51) **LOC (10) Cl.** **03-01**

(57) **CLAIM**

(52) **U.S. Cl.**

The ornamental design for a holster, as shown and described.

USPC **D3/215**

(58) **Field of Classification Search**

DESCRIPTION

USPC D3/215, 221–223, 228, 203.1, 207–212;
224/268–269, 271–272, 673, 667, 669,
224/904, 908, 197, 242, 247; 24/580.11,
24/663, 667, 669, 682.1, DIG. 60
CPC A45F 3/00; A45F 3/14; A45F 5/00; A45F
5/021; A45F 2003/006; A45F 2005/00;
F41C 33/043

FIG. 1 is a front, top, left perspective view of a holster showing my new design;

FIG. 2 is a left side elevation view thereof;

FIG. 3 is a right side elevation view thereof;

FIG. 4 is a front elevation view thereof;

FIG. 5 is a rear elevation view thereof;

FIG. 6 is a top plan view thereof; and,

FIG. 7 is a bottom plan view thereof.

See application file for complete search history.

(56) **References Cited**

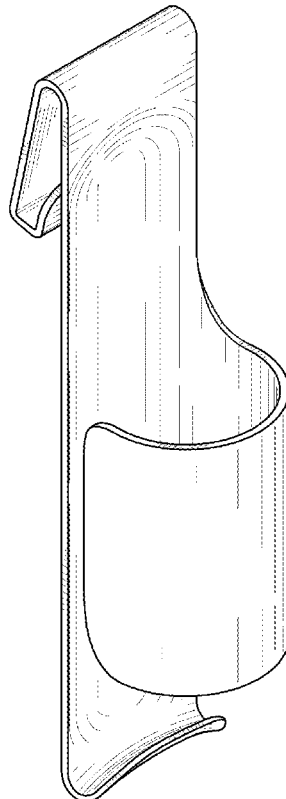
U.S. PATENT DOCUMENTS

2,589,126 A * 3/1952 Payne A45F 5/021

224/247

D501,989 S * 2/2005 Cook D3/215

1 Claim, 4 Drawing Sheets



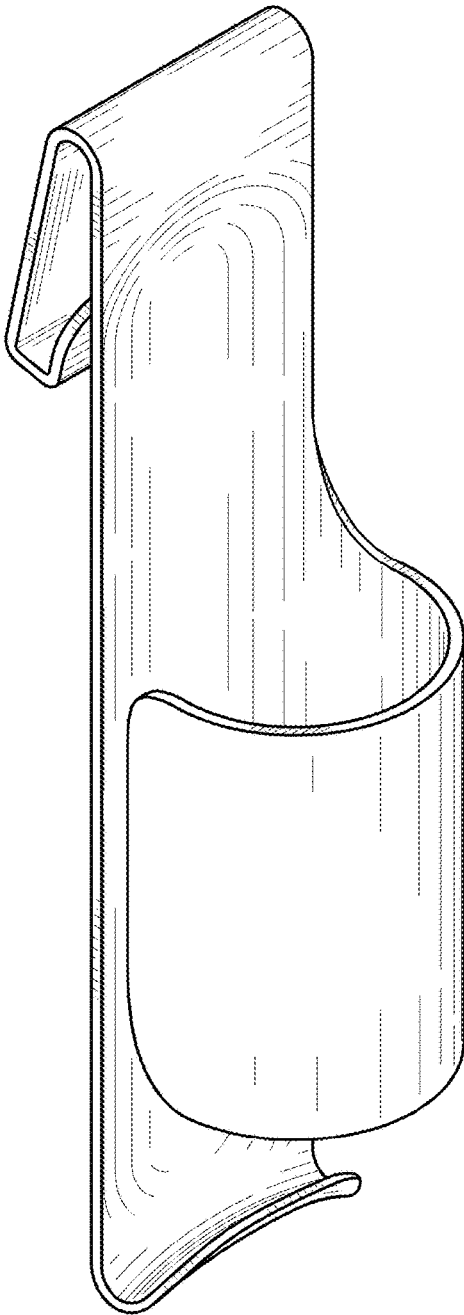


Fig. 1

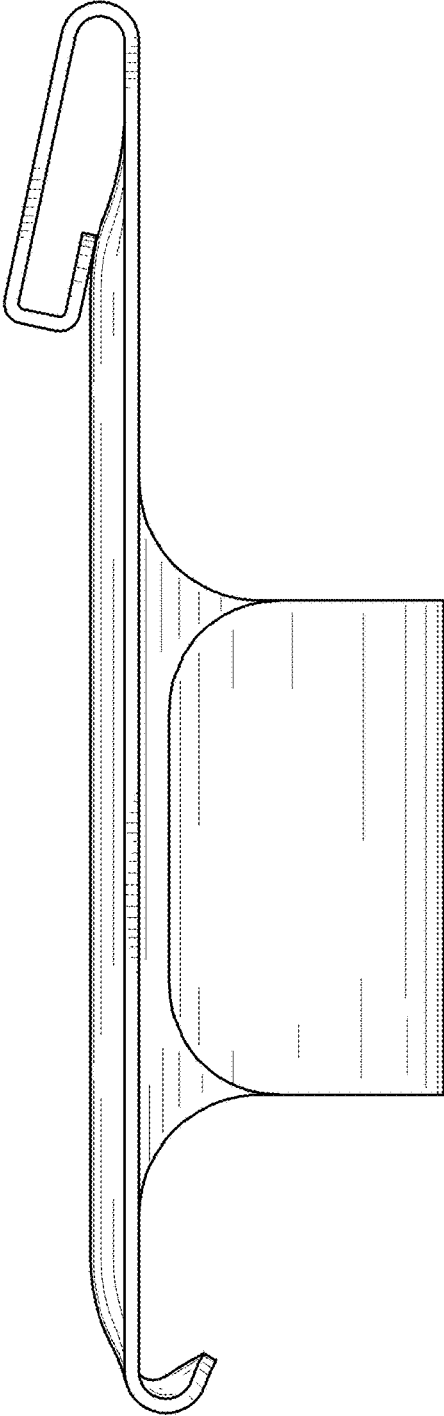


Fig. 2

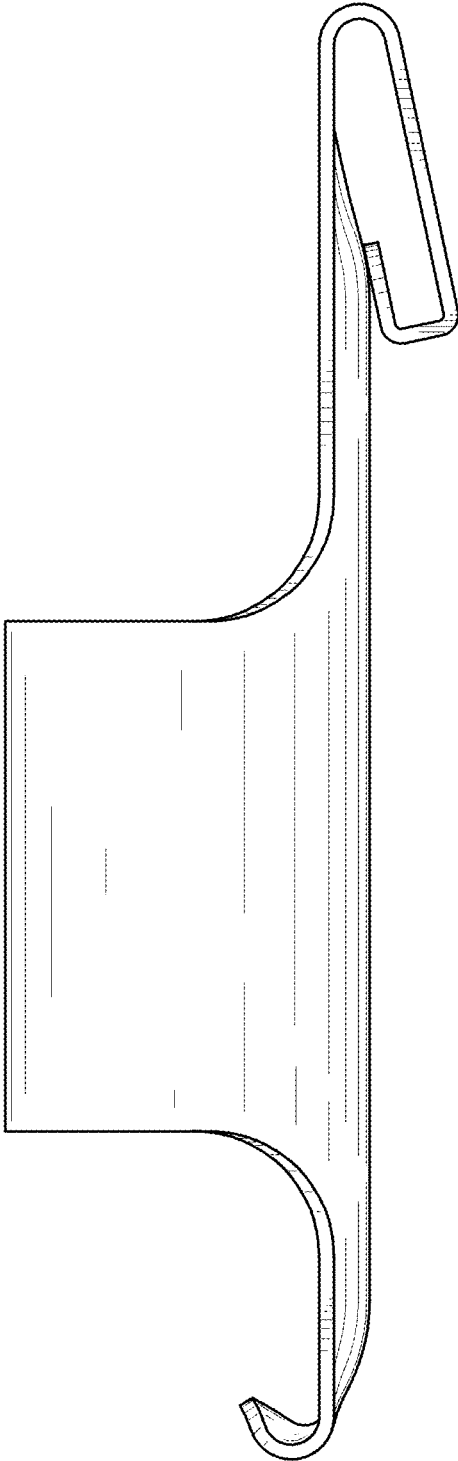


Fig. 3

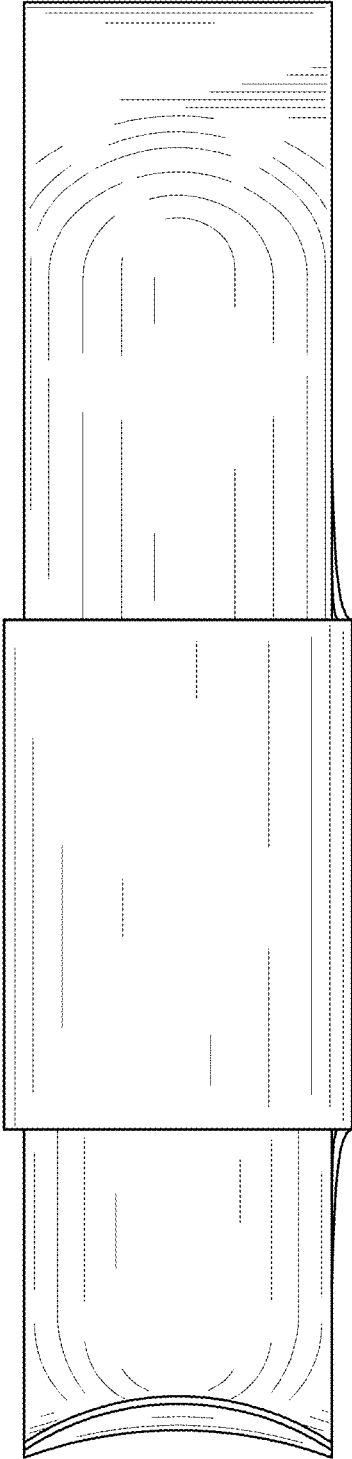


Fig. 4

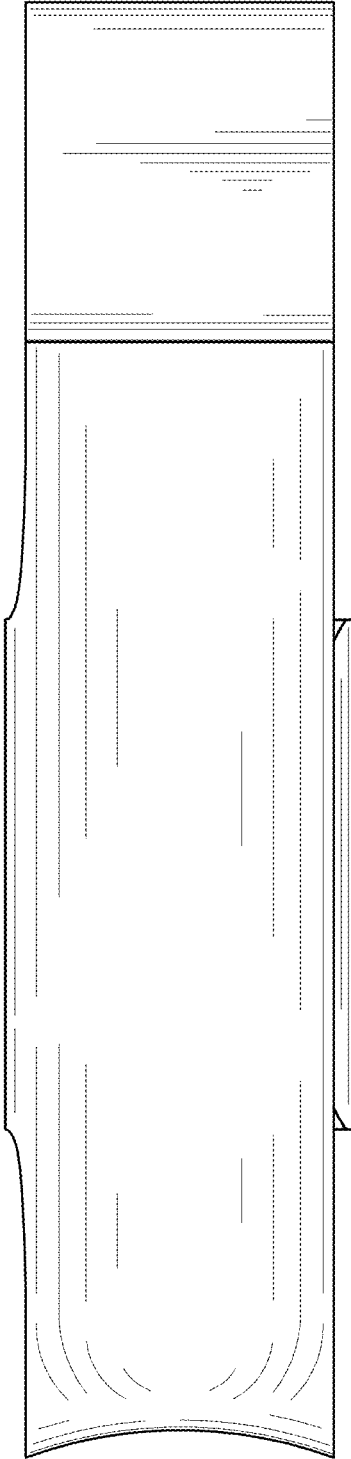


Fig. 5

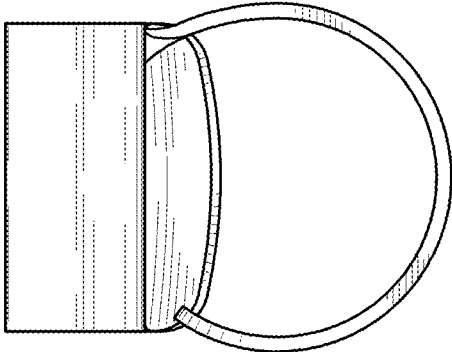


Fig. 6

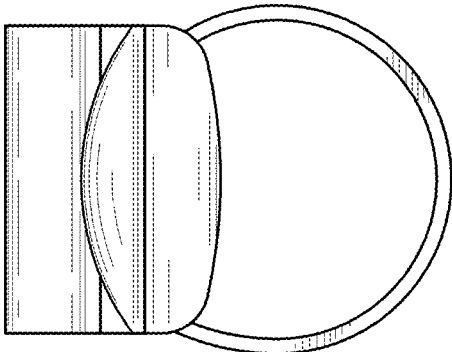


Fig. 7