



US00D366678S

# United States Patent [19] Cimock

[11] Patent Number: **Des. 366,678**  
[45] Date of Patent: **\*\*Jan. 30, 1996**

[54] TOY FLASHLIGHT	4,782,433	11/1988	Rombough .....	362/186
	4,858,083	8/1989	Wakimoyo .	
[75] Inventor: <b>Benjamin J. Cimock</b> , Altamonte Springs, Fla.	5,037,346	8/1991	Cimock .	
	5,165,781	11/1992	Orak .....	362/186
	5,321,591	6/1994	Cimock et al. ....	446/485

[73] Assignee: **I & K Trading**, Vienna, Va.

[\*\*] Term: **14 Years**

[21] Appl. No.: **20,980**

[22] Filed: **Apr. 6, 1994**

[52] U.S. Cl. .... **D21/120**; D21/109

[58] Field of Search ..... D21/59, 109, 120,  
D21/122, 173, 162; D26/37-50; 362/186,  
208; 446/479, 481, 482, 485

[56] **References Cited**

**U.S. PATENT DOCUMENTS**

D. 160,795	11/1950	Levinson .....	D26/47
D. 228,016	7/1973	Feuer .....	D26/47
D. 262,466	12/1981	Lieberman et al. ....	D21/59
D. 264,980	6/1982	Nuttall .....	D21/162
D. 317,056	5/1991	Cimock .	
D. 329,263	9/1992	Cimock .	
2,959,892	11/1960	Johnson .	
3,791,068	2/1974	Pietrowiak .	
3,877,171	4/1975	Sloop et al. .	

*Primary Examiner*—Ted Shooman  
*Assistant Examiner*—R. Barkai  
*Attorney, Agent, or Firm*—Strocck & Stroock & Lavan

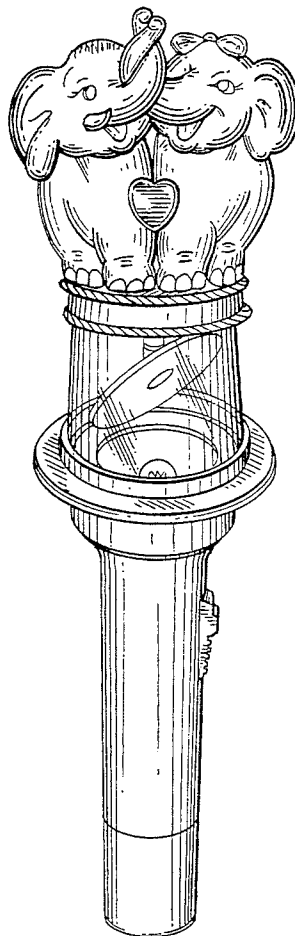
[57] **CLAIM**

The ornamental design for a toy flashlight, as shown.

**DESCRIPTION**

FIG. 1 is a perspective view of a design for a toy flashlight in accordance with the instant invention;  
FIG. 2 is a top plan view of the toy flashlight design depicted in FIG. 1;  
FIG. 3 is a side elevational view of a toy flashlight design depicted in FIG. 1;  
FIG. 4 is a right side elevational view of the toy flashlight design depicted in FIG. 1;  
FIG. 5 is a rear elevational view of the toy flashlight design depicted in FIG. 1; and  
FIG. 6 is a bottom plan view of the toy flashlight design depicted in FIG. 1.

**1 Claim, 3 Drawing Sheets**



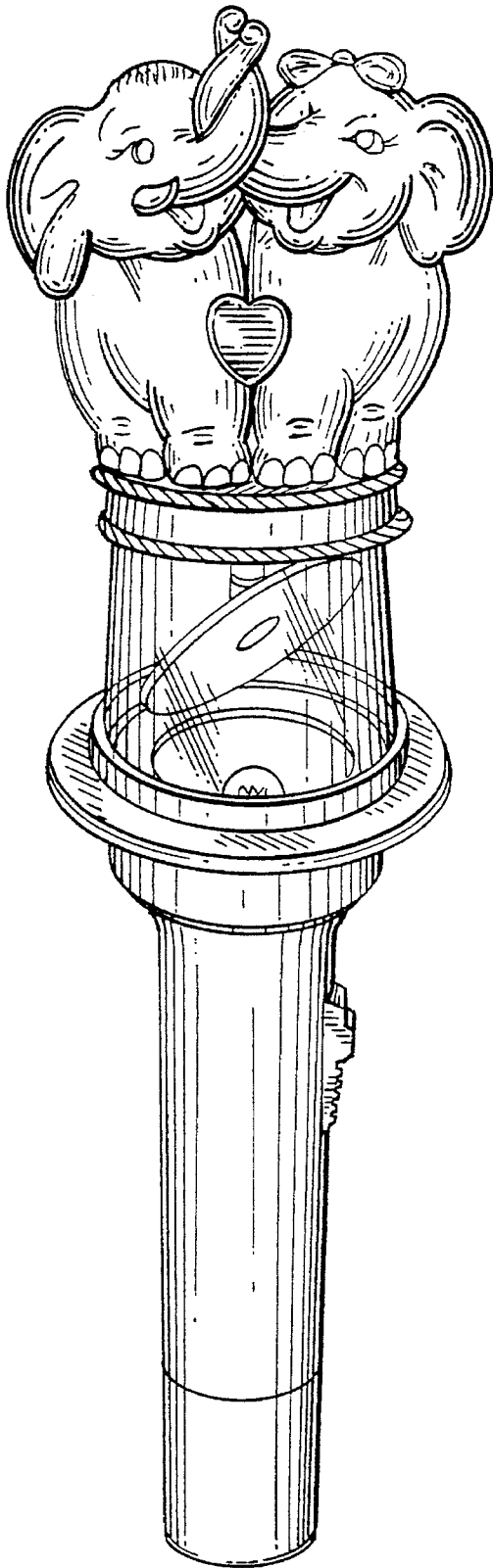


FIG. 1

FIG. 2



FIG. 3

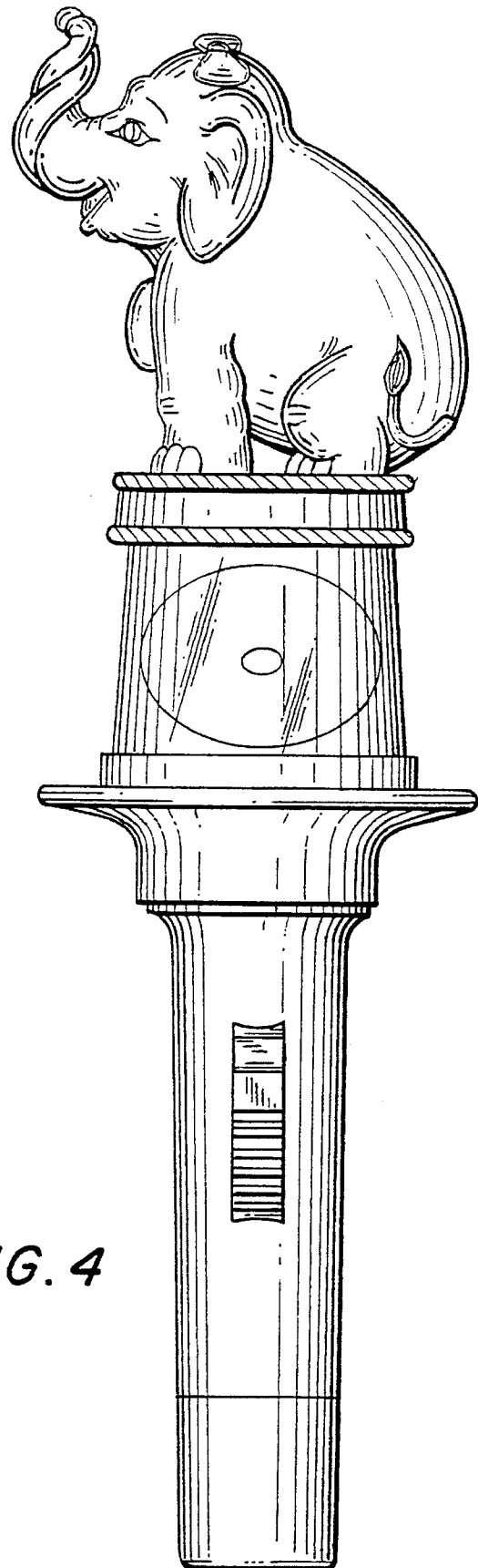
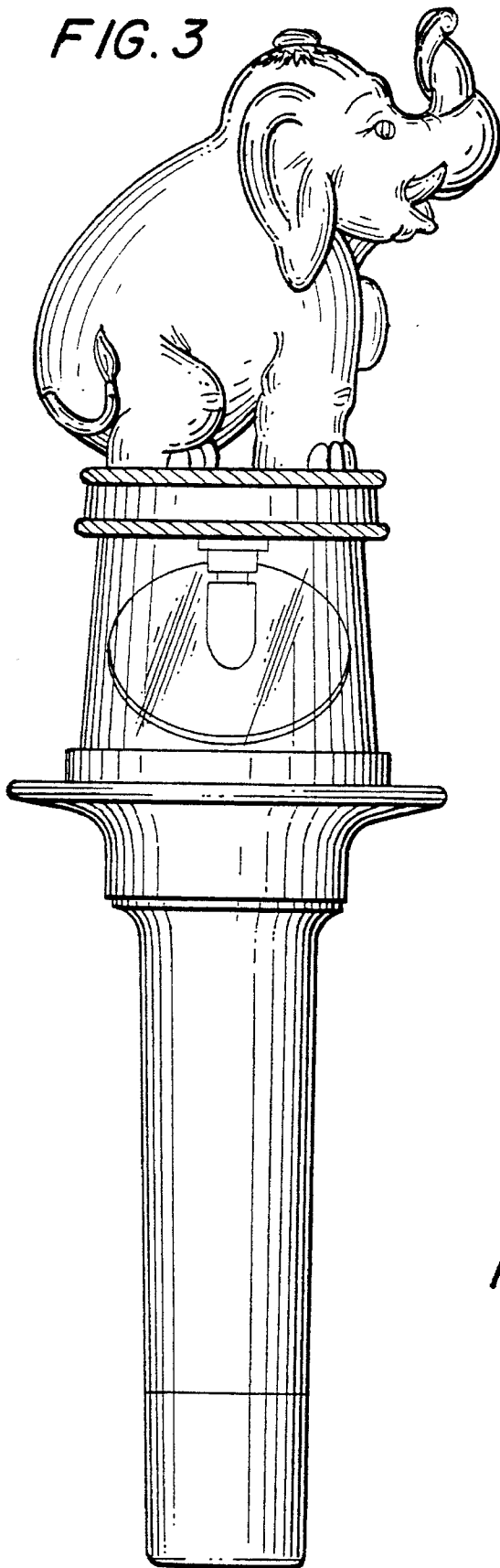


FIG. 4

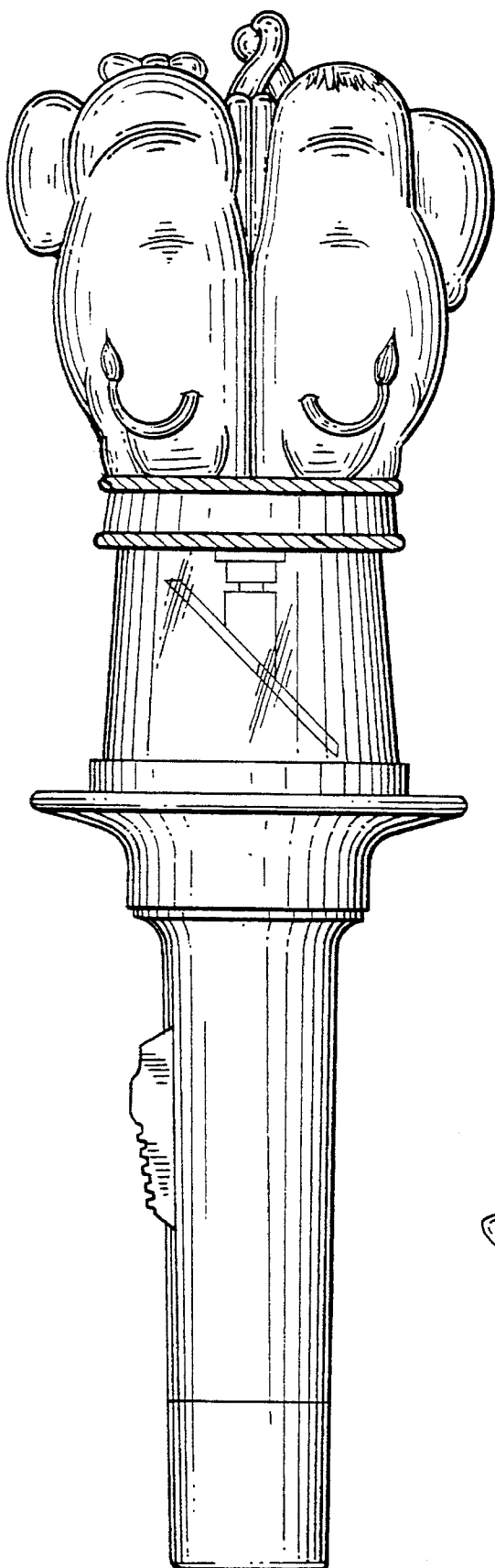


FIG. 5

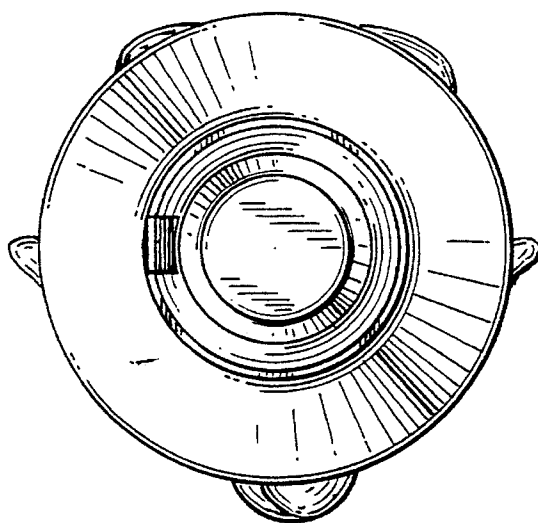


FIG. 6