



US00D842652S

(12) **United States Design Patent**  
**Huang**

(10) **Patent No.:** **US D842,652 S**

(45) **Date of Patent:** **\*\* Mar. 12, 2019**

(54) **PORTABLE WATER BOTTLE**

(71) Applicant: **Chu-Chau Huang**, New Taipei (TW)

(72) Inventor: **Chu-Chau Huang**, New Taipei (TW)

(\*\*) Term: **15 Years**

(21) Appl. No.: **29/627,245**

(22) Filed: **Nov. 24, 2017**

(51) **LOC (11) Cl.** ..... **07-01**

(52) **U.S. Cl.**  
USPC ..... **D7/507; D7/531; D7/510; D7/529**

(58) **Field of Classification Search**  
USPC ..... **D7/507, 509, 510, 511, 523, 529, 531, D7/532, 533, 536, 392.1, 396.2, 300.2, D7/608, 387, 589; D9/500, 501, 502, D9/503, 530, 516, 453, 447, 531; 220/592.16, 592.17; D10/46.2; D24/197; D3/202**  
CPC ..... **A47G 19/2205; A47G 19/22; A47G 19/2266; B65D 47/066; A45F 3/16; A47J 41/02**  
See application file for complete search history.

(56) **References Cited**

**U.S. PATENT DOCUMENTS**

D350,374	S	*	9/1994	Comeau	.....	D19/90
D575,583	S	*	8/2008	Morgan	.....	D7/509
D591,589	S	*	5/2009	Myers	.....	D7/615
D596,459	S	*	7/2009	Ghiassi	.....	D7/510
D621,220	S	*	8/2010	Lown	.....	D7/300.1
D658,006	S	*	4/2012	Yao	.....	D7/505
D686,448	S	*	7/2013	Boroski	.....	D7/392.1
D704,558	S	*	5/2014	Weiss	.....	D9/500
D730,120	S	*	5/2015	He	.....	D7/507
D778,173	S	*	2/2017	Pisarevsky	.....	D3/203.3
D809,285	S	*	2/2018	Sola	.....	D3/202
D818,774	S	*	5/2018	Stover	.....	D7/510
2017/0225833	A1	*	8/2017	Ni	.....	B65D 23/12

\* cited by examiner

*Primary Examiner* — Marianne N Pandozzi

*Assistant Examiner* — Jae Liang

(74) *Attorney, Agent, or Firm* — Li & Cai Intellectual Property (USA) Office

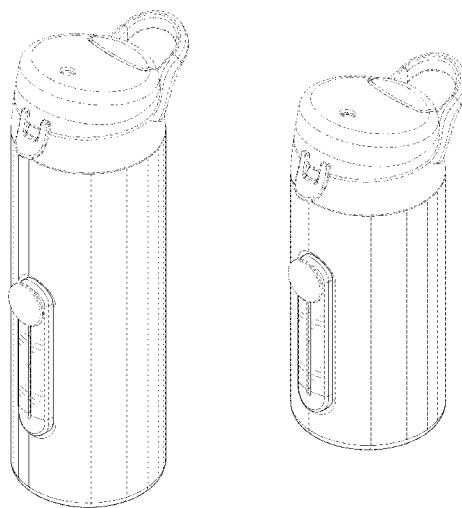
(57) **CLAIM**

The ornamental design for a “portable water bottle,” as shown and described.

**DESCRIPTION**

FIG. 1 is a perspective view of a first embodiment of a portable water bottle showing my new design; FIG. 2 is a front view of the first embodiment thereof; FIG. 3 is a rear view of the first embodiment thereof; FIG. 4 is a left side view of the first embodiment thereof; FIG. 5 is a right side view of the first embodiment thereof; FIG. 6 is a top view of the first embodiment thereof; FIG. 7 is a bottom view of the first embodiment thereof; FIG. 8 is a perspective view viewed from another visual angle of the first embodiment thereof; FIG. 9 is a perspective view of a second embodiment of a portable water bottle showing my new design; FIG. 10 is a front view of the second embodiment thereof; FIG. 11 is a rear view of the second embodiment thereof; FIG. 12 is a left side view of the second embodiment thereof; FIG. 13 is a right side view of the second embodiment thereof; FIG. 14 is a top view of the second embodiment thereof; FIG. 15 is a bottom view of the second embodiment thereof; and, FIG. 16 is a perspective view viewed from another visual angle of the second embodiment thereof. The broken lines in the drawings depict portions of the portable water bottle that form no part of the claimed design.

**1 Claim, 14 Drawing Sheets**



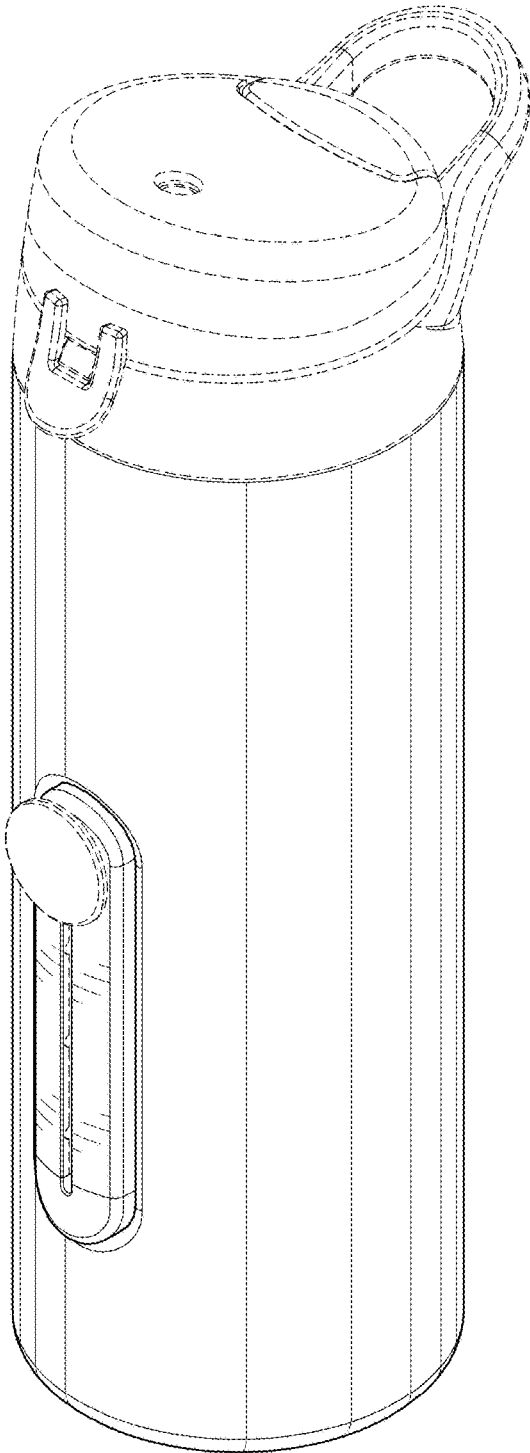


FIG. 1

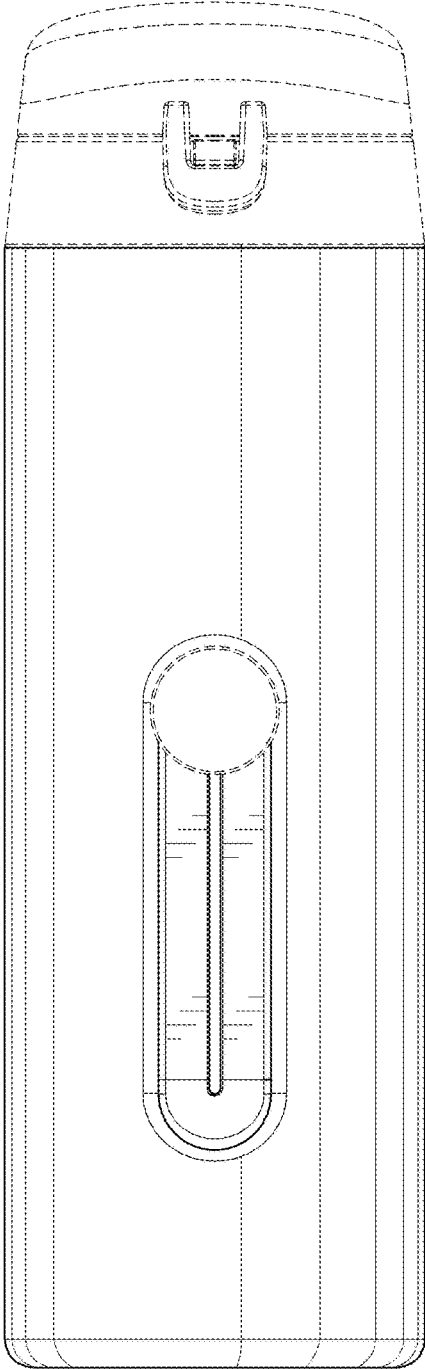


FIG. 2

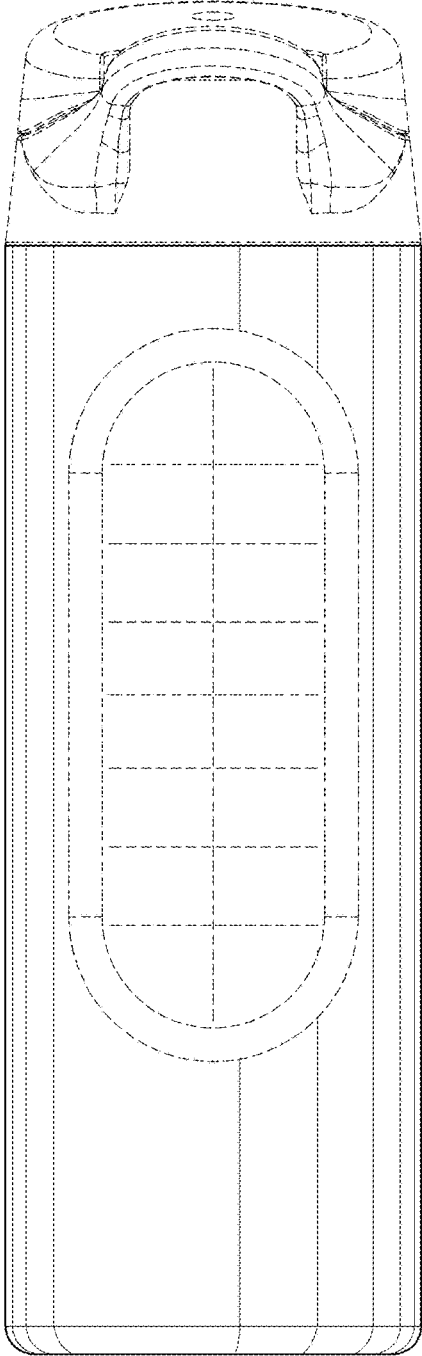


FIG. 3

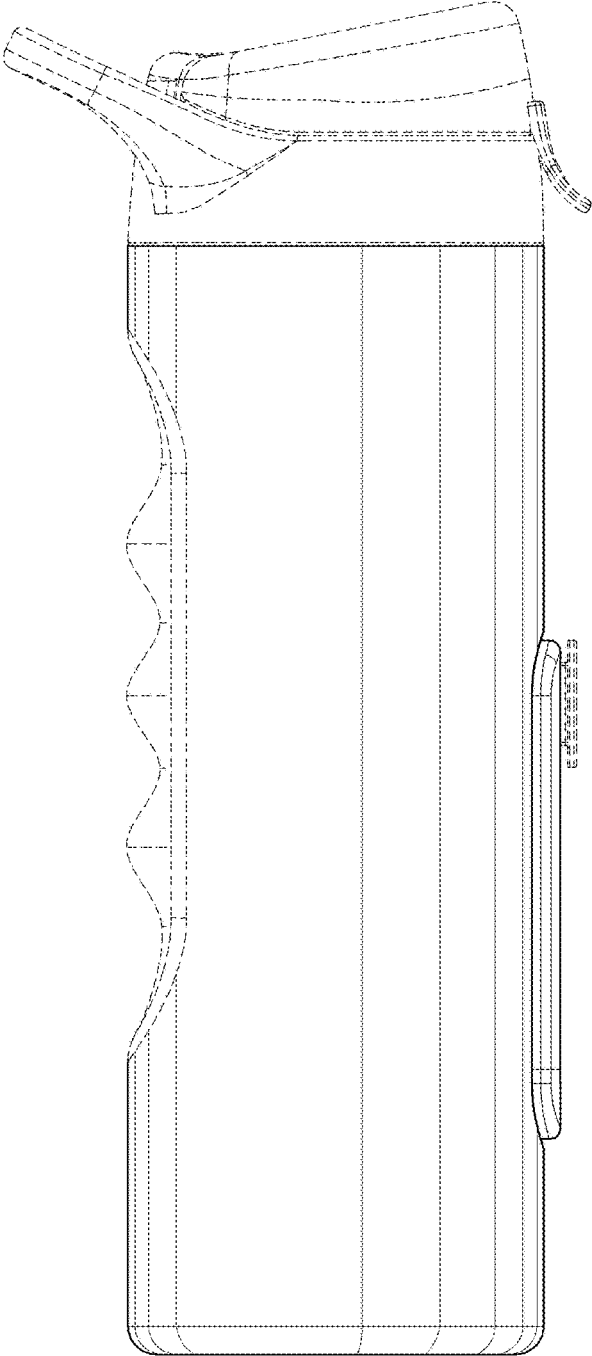


FIG. 4

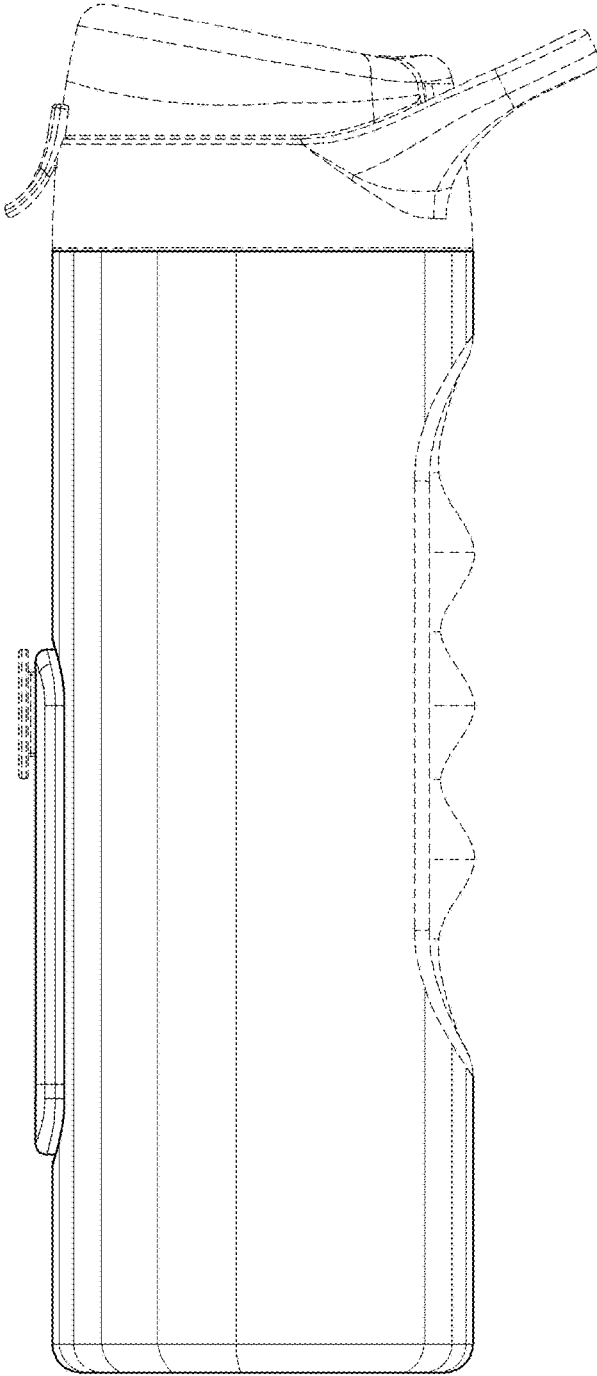


FIG. 5

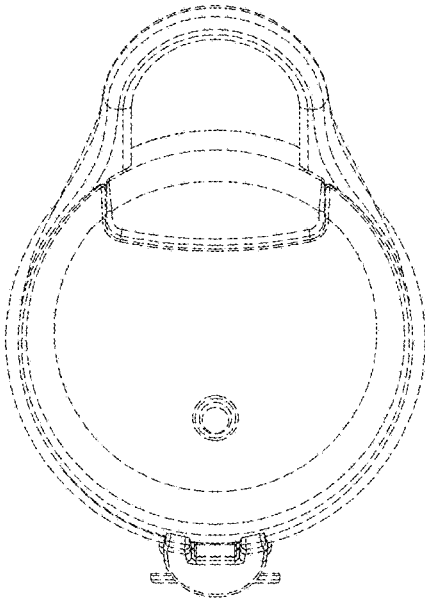


FIG. 6

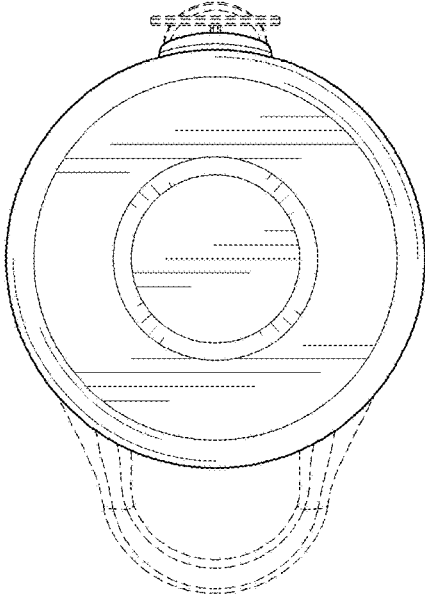


FIG. 7

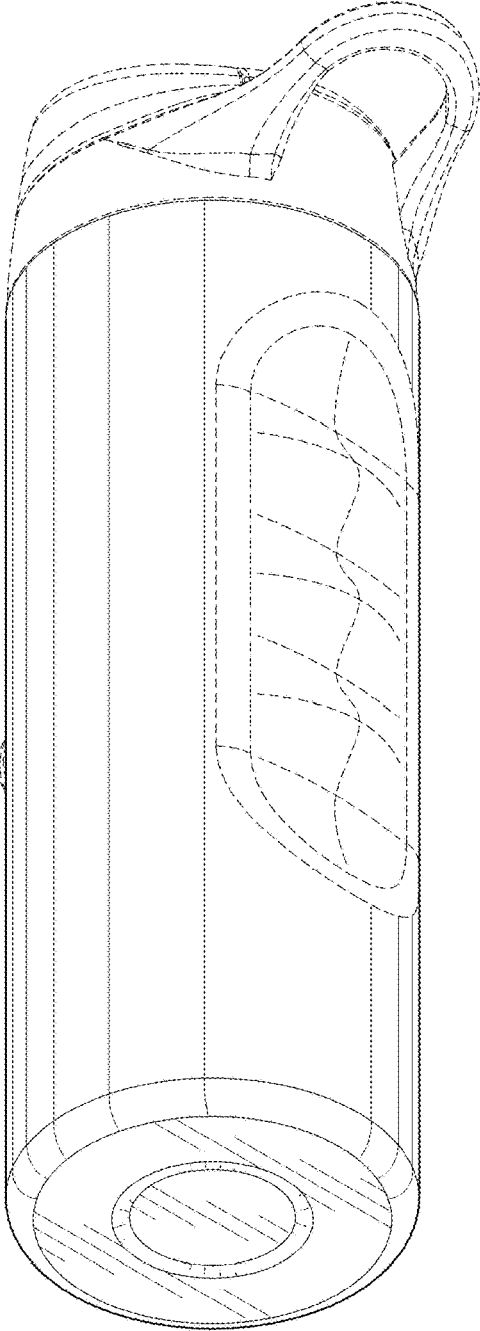


FIG. 8



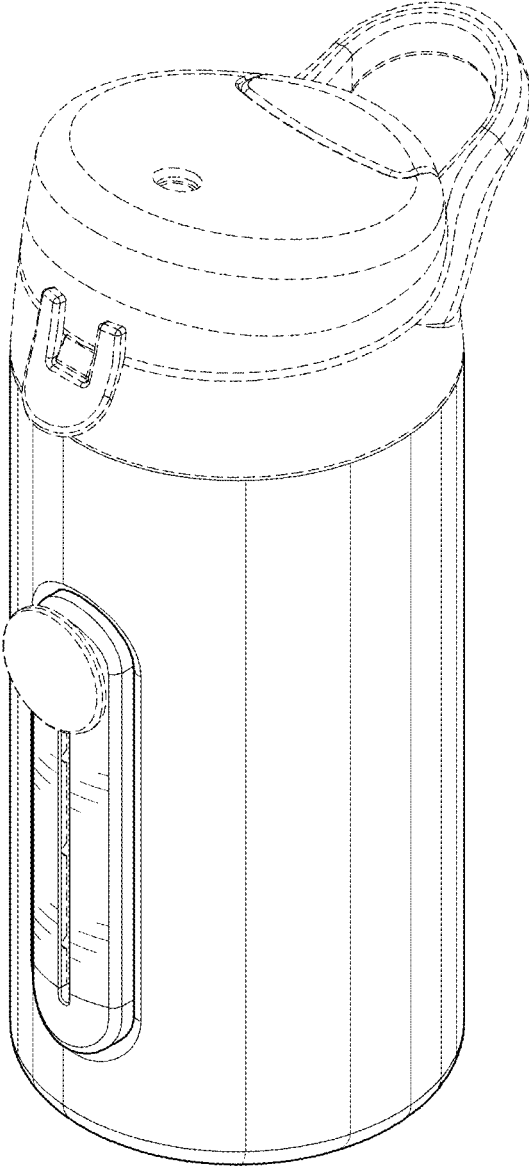


FIG. 9

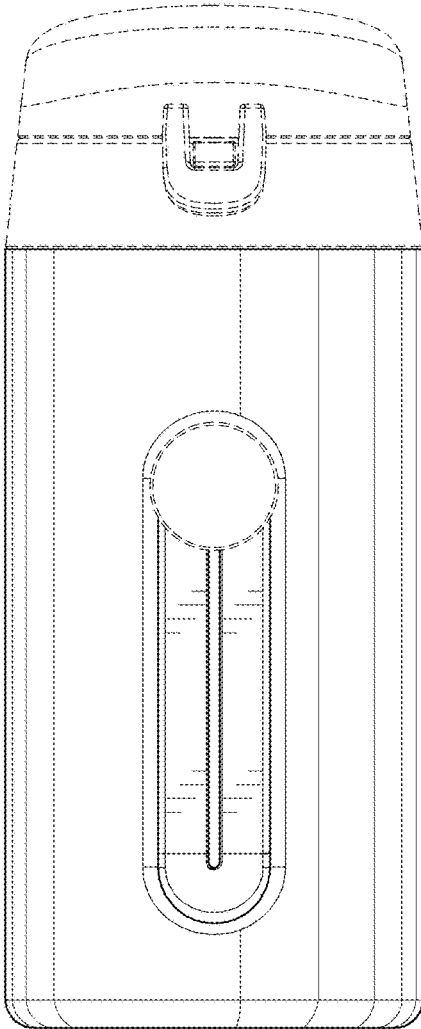


FIG. 10

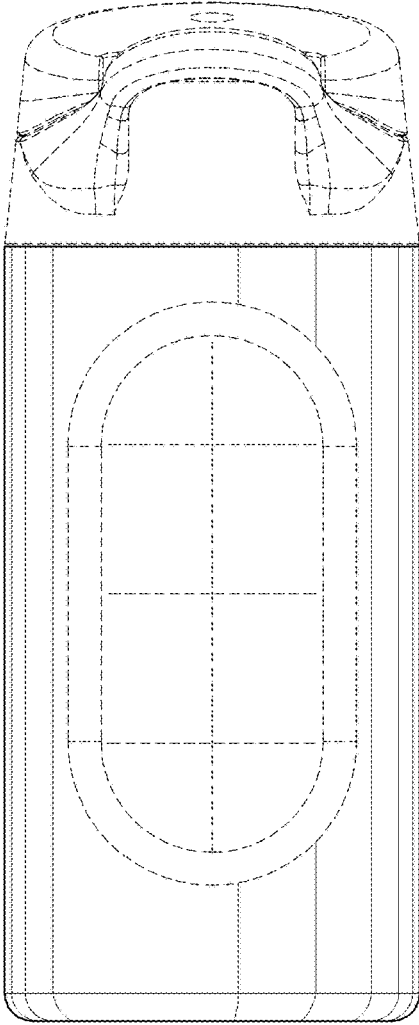


FIG. 11

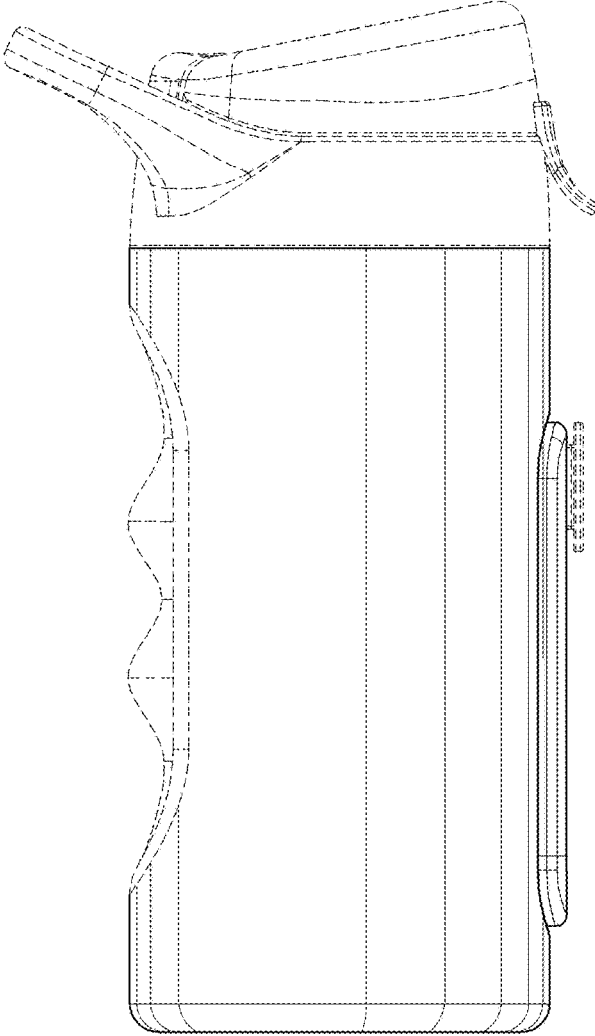


FIG. 12

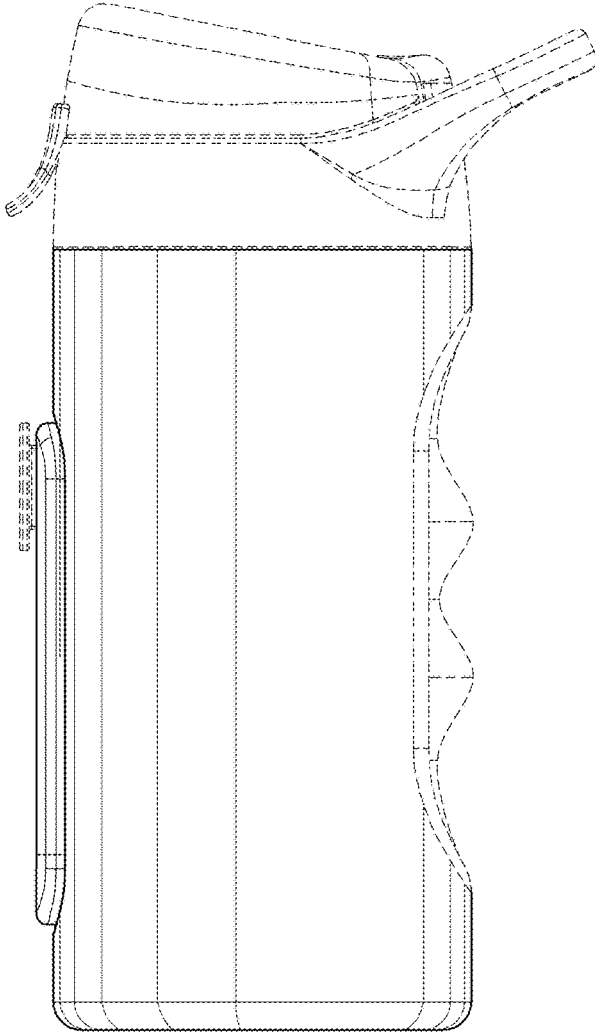


FIG. 13

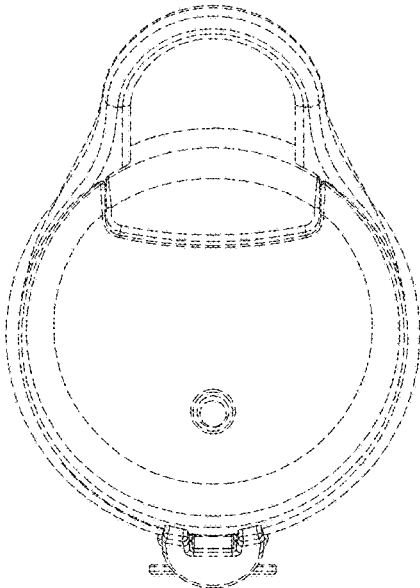


FIG. 14

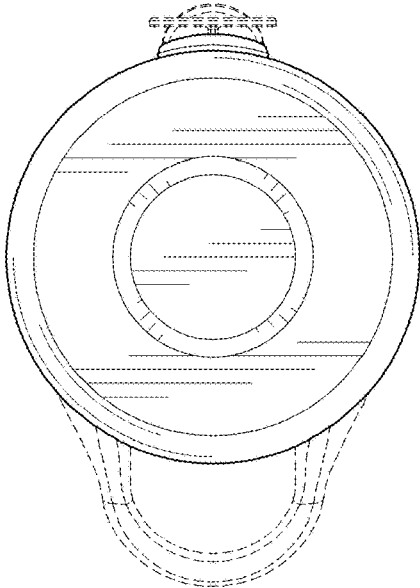


FIG. 15

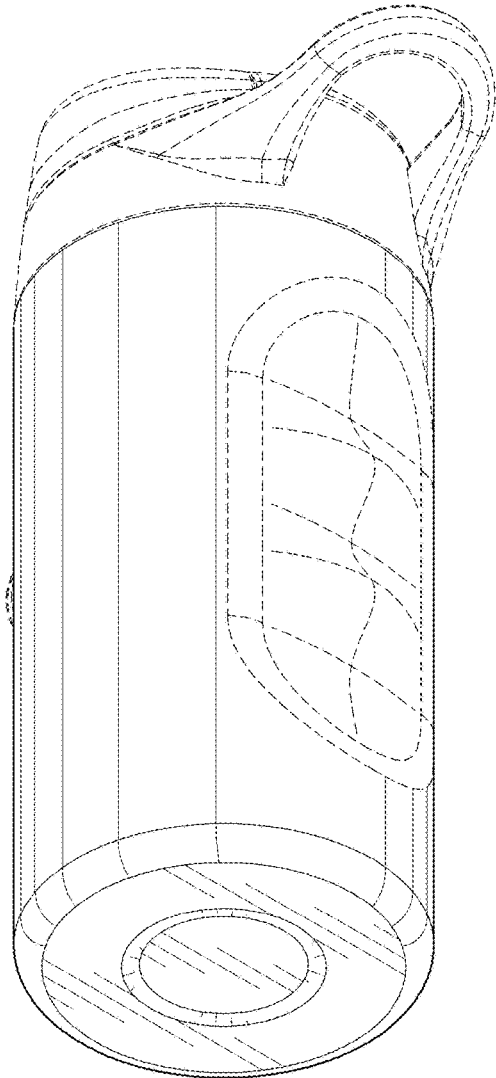


FIG. 16