

(12) UK Patent Application (19) GB (11) 2557608 (13) A

(43) Date of A Publication 27.06.2018

(21) Application No: 1621030.4

(22) Date of Filing: 11.12.2016

(71) Applicant(s):  
**Anne Isobell Hawkins**  
12 Great Ground Walk, Northampton, Northampton,  
NN4 5BB, United Kingdom

(72) Inventor(s):  
**Anne Isobell Hawkins**

(74) Agent and/or Address for Service:  
**Anne Isobell Hawkins**  
12 Great Ground Walk, Northampton, Northampton,  
NN4 5BB, United Kingdom

(51) INT CL:  
**A61K 8/02** (2006.01) **A61Q 19/00** (2006.01)  
**A61Q 19/10** (2006.01)

(56) Documents Cited:  
**JP 2002325697 A** **US 20160206548 A**  
**US 20100292118 A1**

(58) Field of Search:  
Other: **WPI, EPODOC, INTERNET**

(54) Title of the Invention: **A wet wipe for babies**  
Abstract Title: **Fabric wet wipe using coconut oil, water and fruit extracts**

(57) A fabric wetwipe for cleaning a baby may be made from a spunlace nonwoven material. The material may be impregnated with coconut oil, coconut water and fruit extract which may be apple. All products may be organic. The product is intended to cleanse and rehydrate the infant's skin.

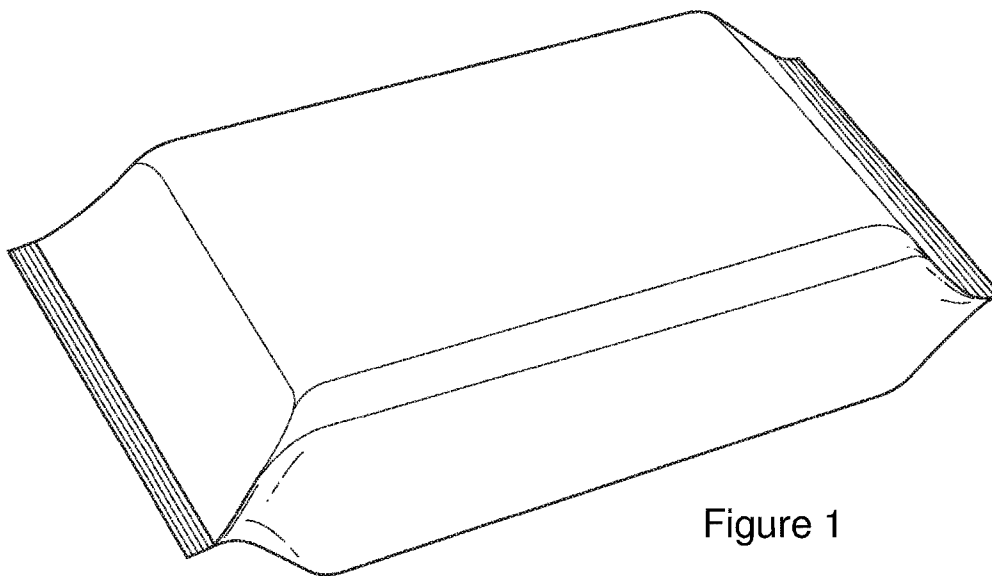


Figure 1

1/2

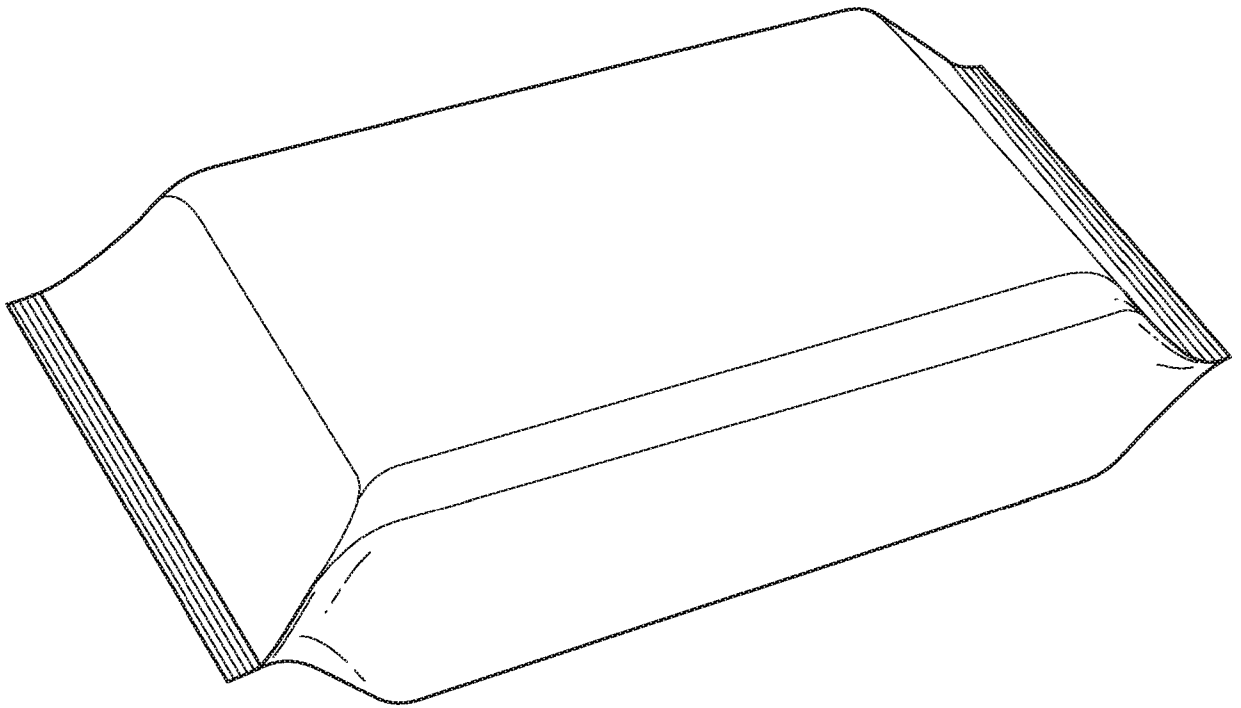


Figure 1

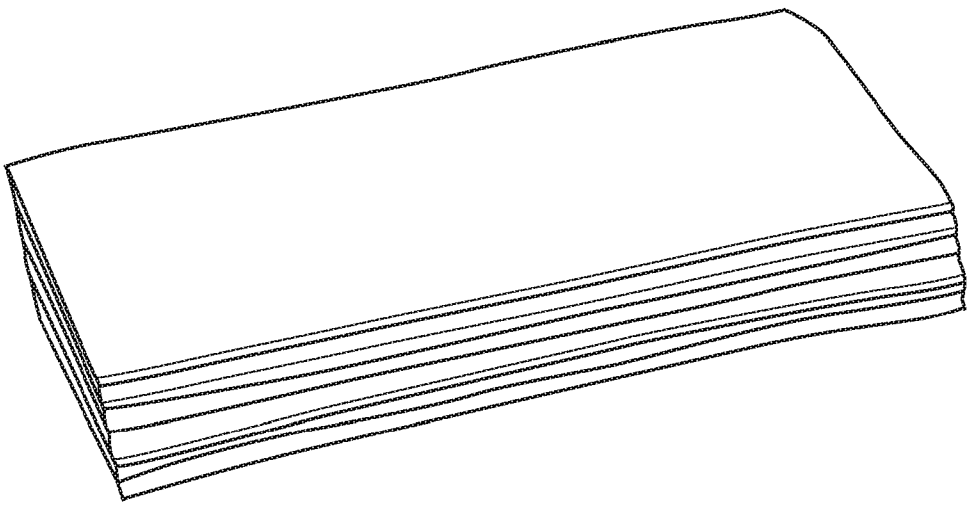


Figure 2

## **A wet wipe for babies**

### **Background**

The present invention relates to a baby wipe for personal care, this invention is a wet wipe for babies that contains coconut water, fruit extract and coconut oil.

Coconut wipes already exists for makeup removal but the wipe for babies of the present invention containing organic natural ingredients are new for babies personal care.

Babies have very delicate skin and many wet wipes available use harsh chemicals that can dry and irritate a baby. The present invention is a wipe that has natural and organic ingredients, suitable from birth, this wipe won't dry out the skin and will re-moisturise the skin through the coconut oil.

### **Statement of invention**

The present invention is a wet wipe for babies to enable parents and caregivers to cleanse baby's skin from birth using natural and organic ingredients, and to not irritate or dry out the skin but will instead re-moisturise skin.

### **Advantages**

The present invention is a wipe for baby skin care. It contains all natural ingredients that are also organic.

The present invention does not irritate or dry out the skin and using the wipe will cleanse and re-moisturise the skin like no other wipes.

### **Introduction to drawings**

An example of the invention will now be described by referring to the accompanying drawings:

Figure 1 is a perspective view of the wipes packaging of the present invention.

Figure 2 is a perspective view of the wipes of the present invention.

#### Detailed description

Referring to figure 1, the present invention is a wipe for personal care for babies that contains coconut water, fruit extract and coconut oil, the wipe stored in a packaging to keep the wipe moist, and the packaging contains many wipes.

Referring to figure 2, the present invention is a wipe, has natural and organic ingredients, suitable from birth, this wipe won't dry out the skin and will re-moisturise the skin through the coconut oil.

The present invention is a wet wipe for babies to enable parents and caregivers to cleanse baby's skin from birth using natural and organic ingredients, and to not irritate or dry out the skin by wiping it to re-moisturise the skin.

#### The materials of the present invention

The wipe of the present invention uses all natural and organic ingredients, the wipe contains coconut water, fruit extract and coconut oil.

The wipe itself will either be:

Material: Spunlace Nonwoven.

Sheet Size: 15\*20cm.

Sheet Weight: 50gsm.

Formula: Organic Coconut Water, Organic, Organic Coconut Oil, Organic Fruit Extract (apple).

Or:

Material: Spunlace Nonwoven.

Sheet Size: 13\*18cm.

Sheet Weight: 45gsm.

Formula: Organic Coconut Water, Organic, Organic Coconut Oil, Organic Fruit Extract (apple).

#### How does the present invention work in details

The wipe can be used all over a baby's skin for cleansing and refreshing purposes. Since the wipe contains natural organic ingredients, they are not harsh or harmful to delicate

skin. As well as cleansing, the wipe will replenish lost moisture by distributing coconut oil that will be incorporated into the wipe.

## **Claims**

1. A wet wipe for babies skin care.
  
2. The wipe according to claim 1, in which the wipe made of spunlace nonwoven, the wipe contains natural and organic ingredients, organic coconut water, organic, organic coconut oil and organic fruit extract.
  
3. The wipe according to claim 1, in which the wipe stored in a packaging to keep the wipe moist, and the packaging contains many wipes.
  
4. The wipe according to claim 1, in which the wipe used to cleanse and refresh all over a baby's skin from birth using natural and organic ingredients, and to not irritate or dry out the skin by wiping it to re-moisturise the skin, since the wipe contains natural organic ingredients, they are not harsh or harmful to delicate skin.
  
5. The wipe according to claim 1, in which the wipe will replenish lost moisture by distributing coconut oil that will be incorporated into the wipe.



**Application No:** GB1621030.4

**Examiner:** Gareth Jones

**Claims searched:** 1 - 5

**Date of search:** 31 May 2017

## Patents Act 1977: Search Report under Section 17

### Documents considered to be relevant:

| Category | Relevant to claims | Identity of document and passage or figure of particular relevance                                |
|----------|--------------------|---|
| X        | 1 - 5              | US2016/0206548 A<br>(ISMAIL et al) See whole document, especially paragraphs 0011-0014 inclusive. |
| X        | 1 - 5              | JP2002325697 A<br>(BANDO et al) See WPI abstract, accession number: 2003-271034 and figure 1.     |
| X        | 1 - 5              | US2010/0292118 A1<br>(HORTON) See whole document especially paragraphs 0014-0021 inclusive.       |

### Categories:

|   |   |   |  |
|---|---|---|--|
| X | Document indicating lack of novelty or inventive step   | A | Document indicating technological background and/or state of the art.  |
| Y | Document indicating lack of inventive step if combined with one or more other documents of same category. | P | Document published on or after the declared priority date but before the filing date of this invention.          |
| & | Member of the same patent family  | E | Patent document published on or after, but with priority date earlier than, the filing date of this application. |

### Field of Search:

Search of GB, EP, WO & US patent documents classified in the following areas of the UKC<sup>X</sup> :

Worldwide search of patent documents classified in the following areas of the IPC

The following online and other databases have been used in the preparation of this search report

WPI, EPODOC, INTERNET

### International Classification:

| Subclass | Subgroup | Valid From |
|----------|----------|------------|
| A61K     | 0008/02  | 01/01/2006 |
| A61Q     | 0019/00  | 01/01/2006 |
| A61Q     | 0019/10  | 01/01/2006 |