

(12) **UK Patent Application** (19) **GB** (11) **2469982** (13) **A**

(43) Date of Reproduction by UK Office **03.11.2010**

(21) Application No: **1015170.2**

(22) Date of Filing: **24.04.2009**

(30) Priority Data:
(31) **08104604** (32) **24.04.2008** (33) **HK**
(31) **08104651** (32) **25.04.2008** (33) **HK**
(31) **08107704** (32) **14.07.2008** (33) **HK**

(86) International Application Data:
PCT/IB2009/005366 En 24.04.2009

(87) International Publication Data:
WO2009/130590 En 29.10.2009

(51) INT CL:
F03D 3/00 (2006.01) **F03D 3/06** (2006.01)
F03D 9/00 (2006.01)

(56) Documents Cited by ISA:
WO 2005/075819 A **CN 085104666 A**
JP 610207882 A **JP 2008151053 A**
JP 2006046306 A **JP 2005105911 A**
US 5183386 A **US 4421458 A**

(58) Field of Search by ISA:
INT CL **F03D**
Other: **EPODOC, WPI, PAJ, CNPAT, CNKI wind, turbine, mill, rotor, blade, vane, inclin+, oblique+, slant+, angle, tilt+, flap, spline, universal**

(71) Applicant(s):
Hopewell Wind Power Limited
(Incorporated in the British Virgin Islands)
Pasea Estate, Road Town, Tortola,
British Virgin Islands

(72) Inventor(s):
Gordon Ying Sheung Wu
Carol Wu
Thomas Jefferson Wu

(74) Agent and/or Address for Service:
Marks & Clerk LLP
5th Floor, 14 South Parade, LEEDS, LS1 5QS,
United Kingdom

(54) Title of the Invention: **Vertical axis wind turbine**
Abstract Title: **Vertical axis wind turbine**

(57) A vertical axis wind turbine has a stationary circular core and a rotor rotatably supported about the stationary core. The rotor has a radially extending rotor arm with a wind engaging blade locate at its distal end. The blade has at least two straight blade sections of which at least one blade section is inclined obliquely at a first angle.

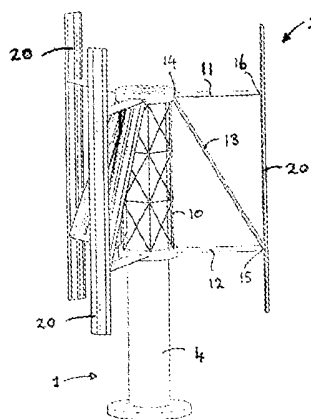


Figure 1

This international application has entered the national phase early

GB 2469982 A