



US00D887773S

(12) **United States Design Patent**
Fourie

(10) **Patent No.:** **US D887,773 S**

(45) **Date of Patent:** **** Jun. 23, 2020**

(54) **LID FOR A CONTAINER**

(56) **References Cited**

(71) Applicant: **WIANPATENT (PTY) LIMITED,**
Johannesburg, Gauteng (ZA)

U.S. PATENT DOCUMENTS

(72) Inventor: **Wian Fourie,** Rooihuiskraal (ZA)

D277,826 S * 3/1985 Brown, Sr. D9/439
D417,845 S * 12/1999 Sadlier D7/511

(Continued)

(73) Assignee: **WIANPATENT (PTY) LIMITED,**
Gauteng (ZA)

OTHER PUBLICATIONS

(**) Term: **15 Years**

Fisher Price Coffee Cup Teether: Announced Jan. 10, 2018 [online].
Site Visited [Jan. 4, 2020]. Available from Internet URL: <https://www.amazon.com/Fisher-Price-Coffee-Cup-Teether/dp/B01N0ZQO9K?th=1>.*

(21) Appl. No.: **29/667,745**

Primary Examiner — Catherine S Posthauer
(74) *Attorney, Agent, or Firm* — Nath, Goldberg & Meyer; Joshua B. Goldberg

(22) Filed: **Oct. 24, 2018**

(30) **Foreign Application Priority Data**

May 25, 2018 (ZA) A2018/00811

(57) **CLAIM**

The ornamental design for the a lid for a container, as shown and described.

(51) **LOC (12) Cl.** **07-99**

DESCRIPTION

(52) **U.S. Cl.**

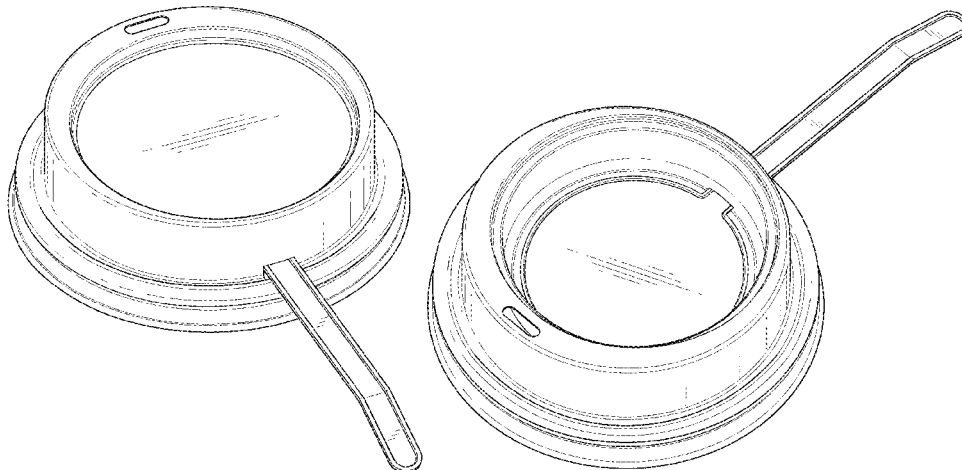
USPC **D7/392.1**

(58) **Field of Classification Search**

USPC D3/10, 13, 17; D7/300, 317, 321, 387,
D7/388.391, 392, 396.1, 396.6, 397, 398,
D7/401.1, 403, 509, 538, 610, 619.1, 629,
D7/672, 677, 601, 602, 624.1, 705, 708,
D7/510, 381, 392.1, 396.2; D9/434, 435,
D9/436, 438, 439, 440, 441, 442, 446,
D9/447, 449, 451, 452, 453, 454, 455,
D9/550, 560, 566, 516, 544, 573, 614,
D9/618, 623, 686, 705, 708, 715-720,
D9/730, 750, 751; D23/206, 259, 260;
D24/121, 127, 199, 224; D28/4, 5, 73,
D28/76, 91.1
CPC B65D 83/06; B65D 2501/00; B65D
2501/0009; B65D 1/00; B65D 1/02;
B65D 1/0223; B65D 23/00; B65D
50/041; B65D 53/02; B65D 41/34; B65D
21/0223; B65D

(Continued)

1 Claim, 9 Drawing Sheets



(58) **Field of Classification Search**

CPC ... 47/265; B65D 2525/283; B65D 2251/0087;
 B65D 2251/0018; B65D 2251/0028;
 B65D 2251/009; B65D 43/0225; B65D
 25/28; B65D 51/18; B65D 2203/00;
 B65D 83/0038; B65D 43/02; B65D
 85/36; B65D 81/18; B65D 81/38; B65D
 47/06; B65D 47/08; B65D 1/10; B65D
 1/46; B65D 2585/56; B65D 2585/545;
 B65D 41/00; B65D 41/56; B65D 41/62;
 A45D 2040/0043; A45D 2040/0062;
 A45D 2034/005; A45D 2034/065; A45D
 40/04; A45D 34/04; A45D 33/04

See application file for complete search history.

(56) **References Cited**

U.S. PATENT DOCUMENTS

D447,412 S * 9/2001 Durdon D9/438
 D536,249 S * 2/2007 Smith D9/435

D543,777 S * 6/2007 Seum D7/392.1
 D591,595 S * 5/2009 Tedford, Jr. D9/447
 D737,139 S * 8/2015 Sokoly D9/435
 D750,934 S * 3/2016 Kemker D7/376
 D753,999 S * 4/2016 Crosby D9/447
 D761,104 S * 7/2016 Buck D9/447
 D761,649 S * 7/2016 Buck D9/447
 D795,007 S * 8/2017 Plassmeyer D7/392.1
 D807,746 S * 1/2018 Fleming D9/454
 D808,214 S * 1/2018 Yan D7/396.2
 9,908,667 B1 * 3/2018 Smith A47G 19/2272
 D822,484 S * 7/2018 D'Amato D9/447
 D829,549 S * 10/2018 D'Amato D9/447
 D845,064 S * 4/2019 Mulhauser D7/392.1
 D855,391 S * 8/2019 Oakes B65D 21/0223
 D7/396.2
 D867,134 S * 11/2019 Savenok D9/447
 2008/0035652 A1 * 2/2008 Lusareta B65D 47/06
 220/713
 2019/0185225 A1 * 6/2019 Savenok B65D 47/06
 2019/0367231 A1 * 12/2019 Riffel B65D 51/32

* cited by examiner

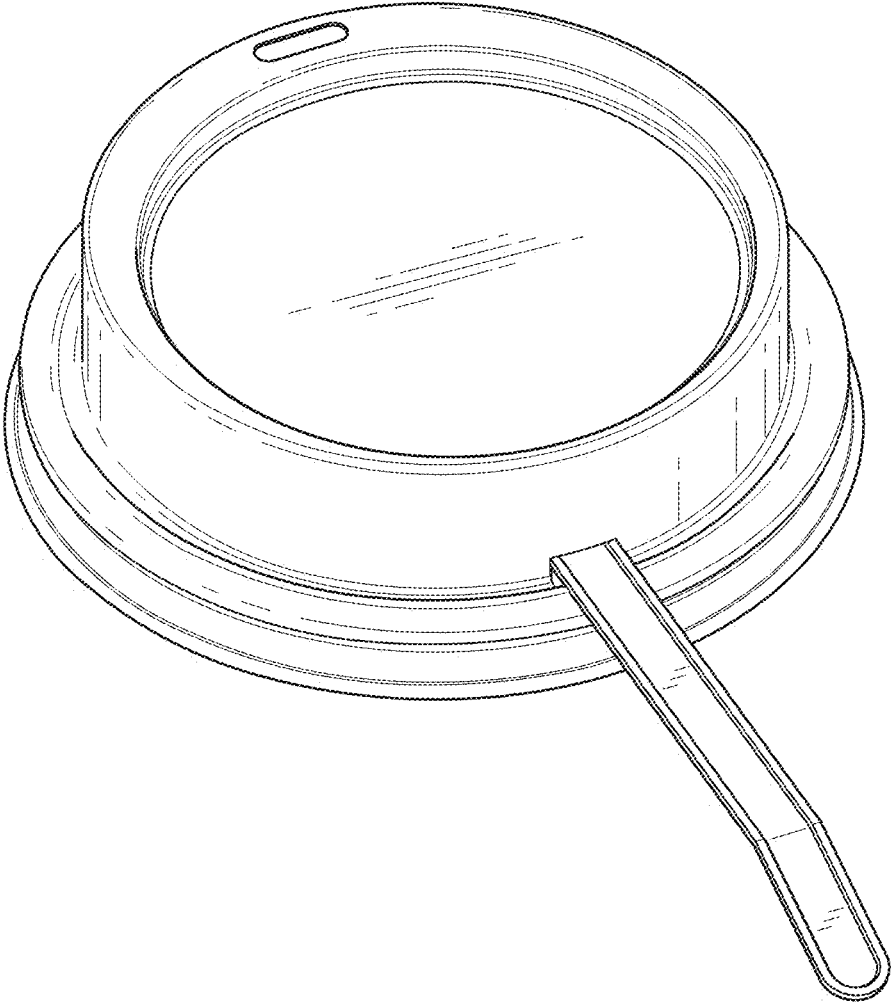


FIG. 1

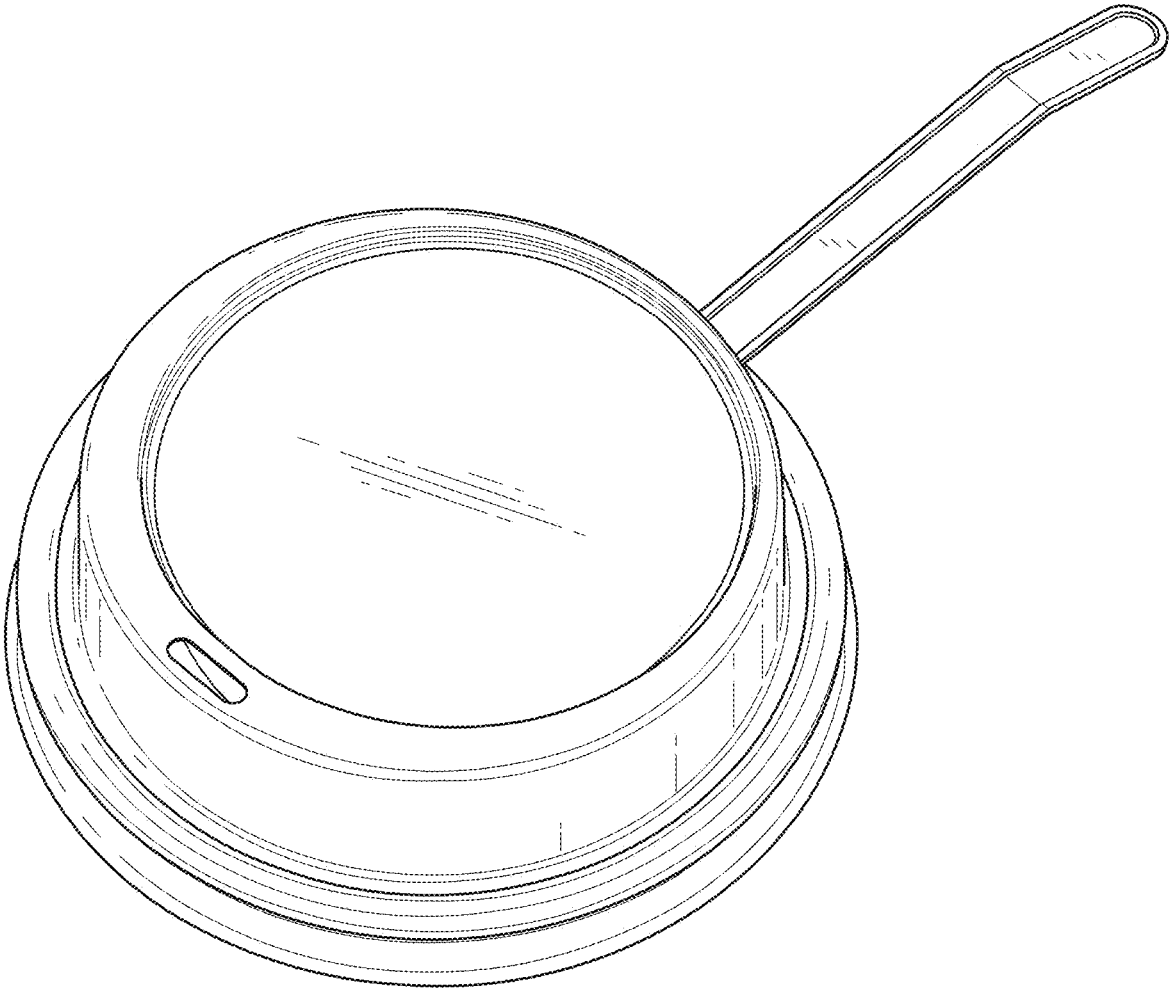


FIG. 2



FIG. 3

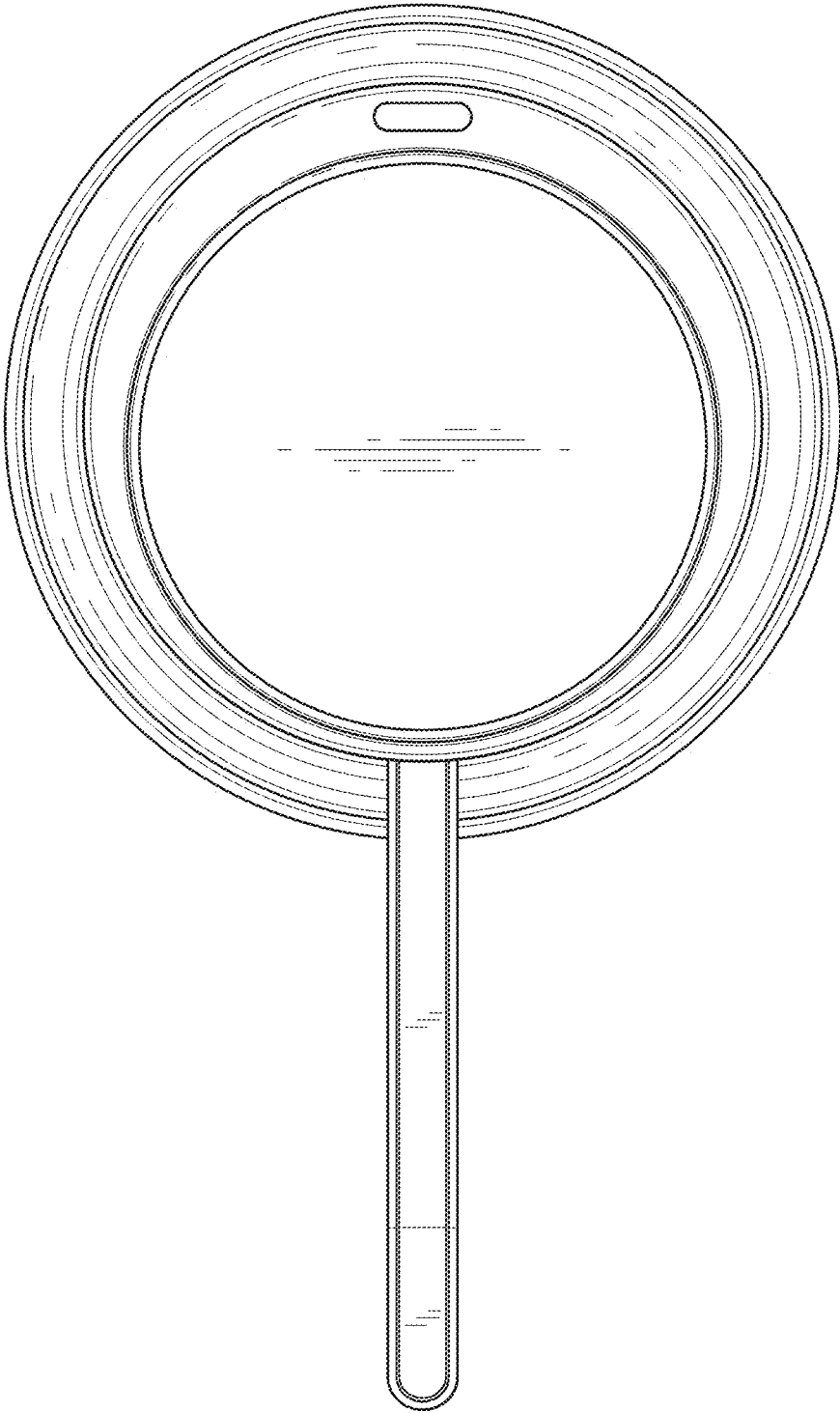


FIG. 4

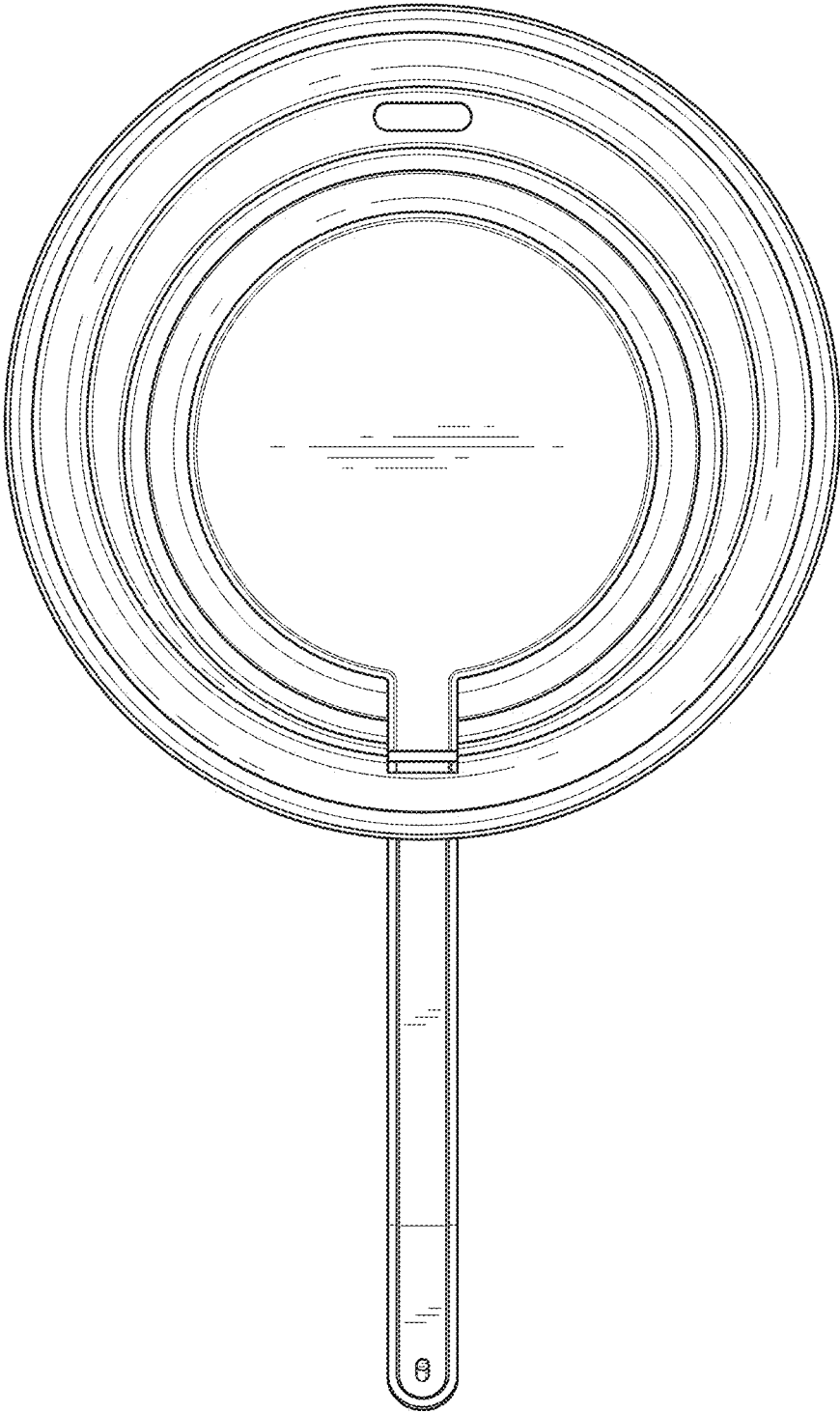


FIG. 5

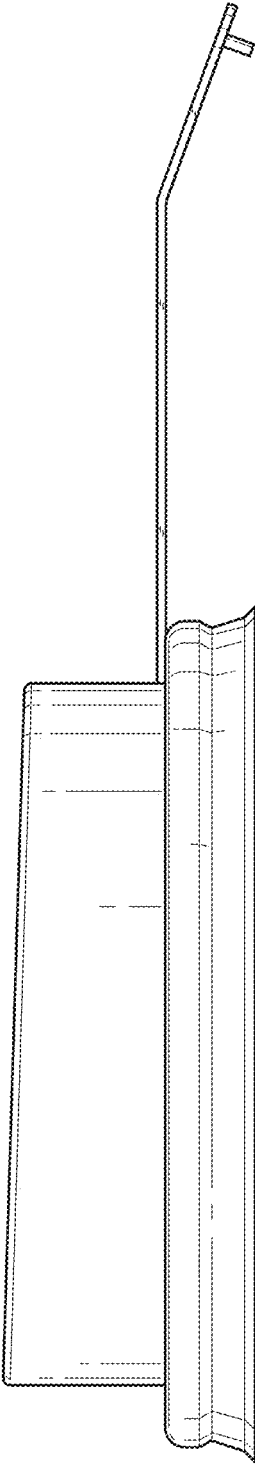


FIG. 6

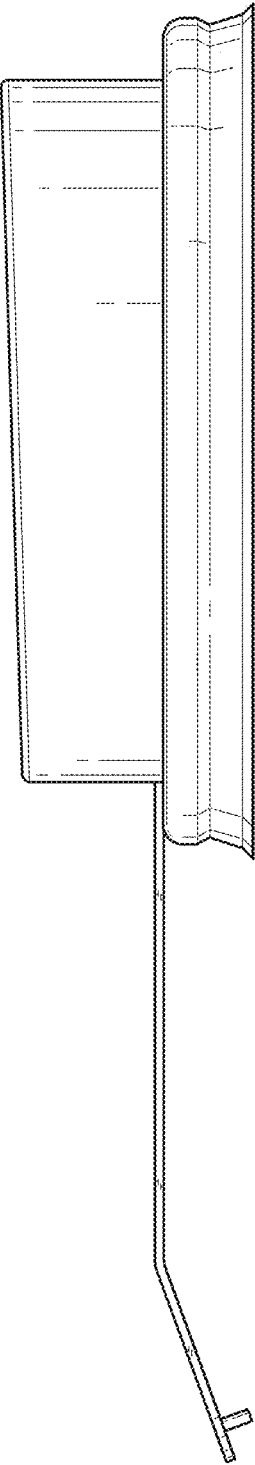


FIG. 7

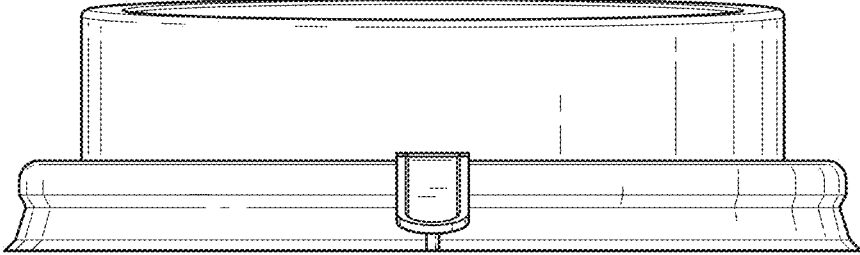


FIG. 8

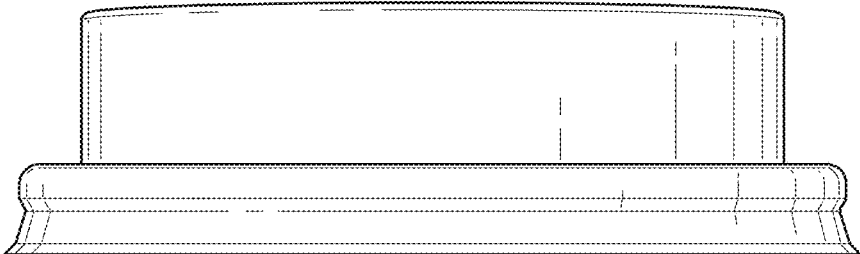


FIG. 9

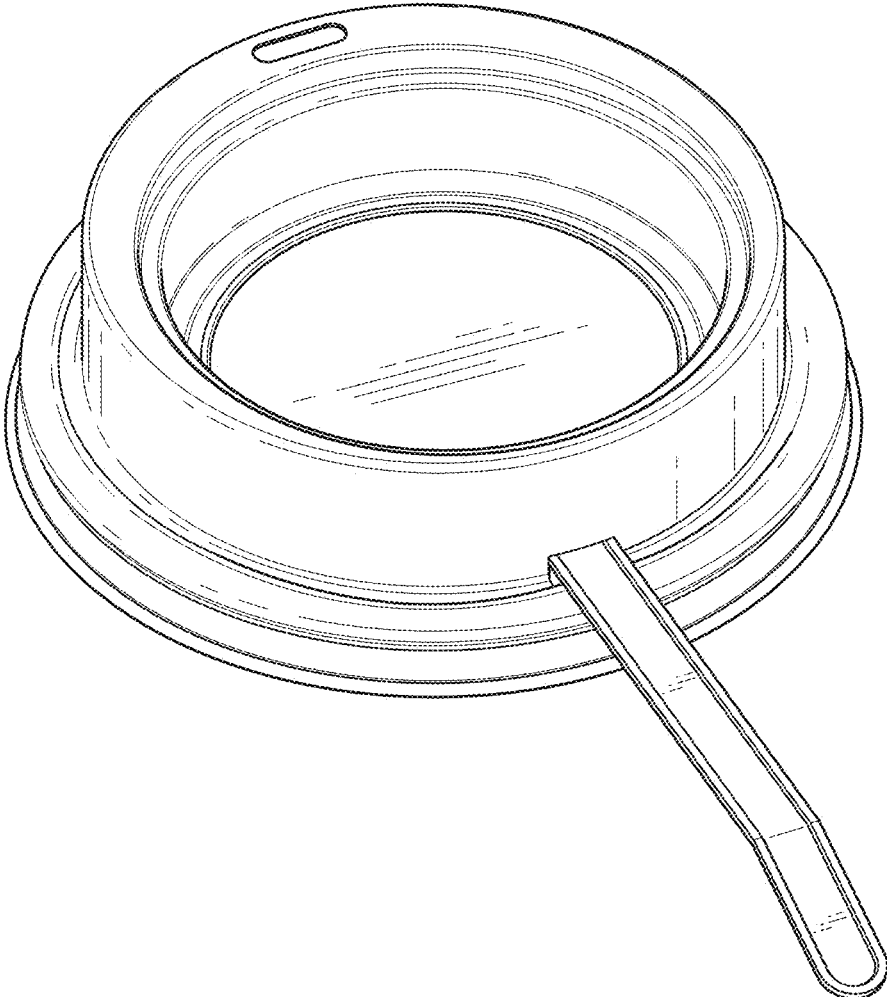


FIG. 10

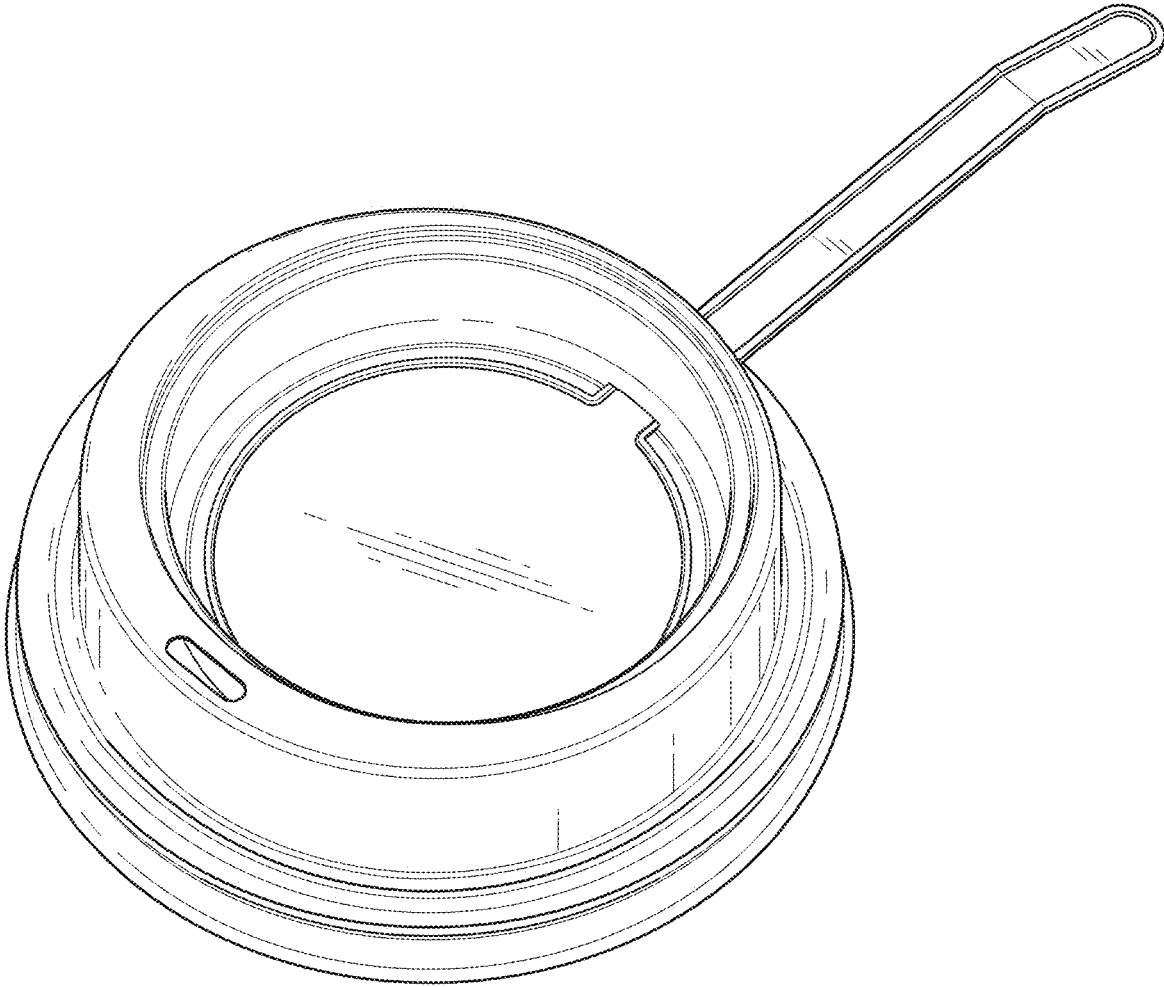


FIG. 11