



US00D835857S

(12) **United States Design Patent**  
**Benacquisto et al.**

(10) **Patent No.:** **US D835,857 S**

(45) **Date of Patent:** **\*\* Dec. 11, 2018**

(54) **SOLUTION RESERVOIR FOR A GROOMING TOOL**

(71) Applicant: **BISSELL Homecare, Inc.**, Grand Rapids, MI (US)

(72) Inventors: **Justin Benacquisto**, Caledonia, MI (US); **Charles A. Martin**, Kalamazoo, MI (US); **David M. Miller**, Zeeland, MI (US); **Joseph Q. Marietta**, Kalamazoo, MI (US); **Brian C. Wolfe**, Kalamazoo, MI (US)

(73) Assignee: **BISSELL Homecare, Inc.**, Grand Rapids, MI (US)

(\*\*) Term: **15 Years**

(21) Appl. No.: **29/605,211**

(22) Filed: **May 24, 2017**

(51) **LOC (11) Cl.** ..... **30-99**

(52) **U.S. Cl.**  
USPC ..... **D30/158**

(58) **Field of Classification Search**  
USPC ..... D30/158, 159, 199; 15/104.002, 230.11, 15/104.94, 104.8, 23, 231, 169, 184, 114, 15/DIG. 14, 186-188, 329, 337, 338, 15/415.1, 416-422, 422.1, 93.1, 246.2, 15/322, 350-354, 361-363, 366, 378, 15/400, 401, 414, 412, 344, 402; 132/119-119.1, 212, 271, 112; 206/15.2-15.3, 361, 362.3, 470; 242/571.4; D28/25, 23, 30, 59, 21, 91.1, D28/7, 77, 5; D4/117, 116, 121-123, D4/102, 199, 137, 131; D32/31-33, 25, D32/17, 70; 119/600-612, 625, 628, 633, 119/650, 677, 665, 673, 664, 676, 479; 34/92, 96, 97; 401/270, 137-140, 289, 401/290, 23-27, 16, 17, 37-39, 40-43; 239/315, 310, 525-527, 159, 307; D23/223, 213, 225, 226, 202; D27/154, D27/101, 162, 163; 4/615, 616, 596,

4/570, 568, 567, 606, 603; 222/14-17, 222/21-23, 52-57, 59-62, 67, 651, 652, 222/74, 75, 129, 145.7, 146.1, 148-152, 222/160, 162, 163, 165, 169, 173, 617, 222/626, 628, 179.5, 182, 183, 190-192, 222/630, 631, 636, 424.5; 60/477, 478; D13/103, 107, 108; D14/191; 320/107; 131/183, 329, 330, 273  
CPC ..... A01K 13/00-13/003; A01K 27/007; A47L 9/00; A47L 9/04; A47L 9/0072; A47L 9/0081; A47L 7/00; A47L 7/0066; A47L 7/0085; A47L 7/009; A47L 7/02; A47L 11/4083; A47L 11/4086; A47L 11/4036;

(Continued)

(56) **References Cited**

U.S. PATENT DOCUMENTS

4,214,658 A \* 7/1980 Crow ..... A24F 23/04  
206/236  
4,993,435 A \* 2/1991 McCann ..... A24F 13/00  
131/175

(Continued)

*Primary Examiner* — Susan Moon Lee

(74) *Attorney, Agent, or Firm* — McGarry Bair PC

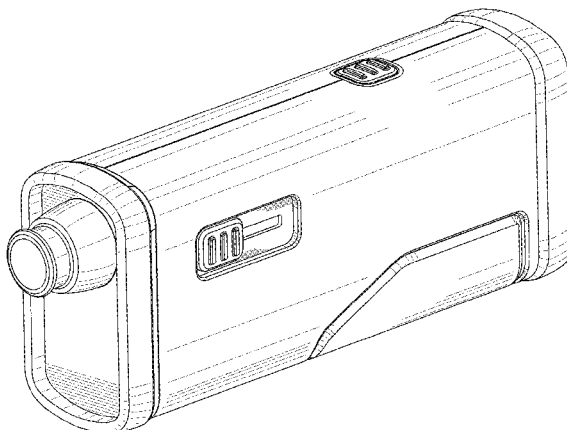
(57) **CLAIM**

The ornamental design for a solution reservoir for a grooming tool, as shown and described.

**DESCRIPTION**

FIG. 1 is a top perspective view of a solution reservoir for a grooming tool showing our new design;  
FIG. 2 is a right side view thereof;  
FIG. 3 is a left side view thereof;  
FIG. 4 is a top view thereof;  
FIG. 5 is a bottom view thereof;  
FIG. 6 is a front view thereof; and,  
FIG. 7 is a rear view thereof.

**1 Claim, 6 Drawing Sheets**



(58) **Field of Classification Search**

CPC ..... A47L 11/4044; A47L 1/08; A47L 1/09;  
 A47L 1/095; A47L 13/12; A47L 13/22;  
 A47L 13/26; A47L 25/00; A47L 2601/00;  
 A47L 2601/02; A47L 2601/03; A47L  
 2601/16; A47L 2601/18; A45D 2/00;  
 A45D 2/002; A45D 2/36; A45D 2/367;  
 A45D 2002/003; A45D 24/00; A45D  
 24/007; A45D 24/32; A45D 2024/002;  
 A45D 20/00; A45D 20/10; A45D 20/12;  
 A45D 20/122; A45D 20/48; A45D 20/50;  
 A45D 20/52; A45D 20/525; A61D 7/00;  
 A61D 11/00; A46B 17/00; A61M  
 5/14244; A61M 5/14566; A61M 5/14593;  
 A61M 2005/14573; A61M 15/06; A61M  
 15/0001; B08B 1/00; B08B 1/001; B08B  
 1/002; B08B 2203/00; B08B 2203/02;  
 B08B 2203/0211; B08B 2203/0217;  
 B08B 3/00; B08B 3/003; B08B 3/02;  
 B08B 3/024; B08B 3/04; B08B 3/044;  
 B08B 3/047; B08B 3/048; B08B 5/00;  
 B08B 5/02; B08B 5/04; B08B 5/08;  
 B08B 5/10; B08B 7/0021; B08B 13/00;  
 B08B 9/08; B08B 9/0804; B08B 9/0813;  
 B08B 9/0808; B05B 9/08; B05B 9/0805;  
 B05B 9/085; B05B 9/0426; B05B 11/00;  
 B05B 11/0002; B05B 11/0005; B05B  
 11/0037; B05B 11/0054; B05B 11/0075;  
 B05B 11/0062; B05B 11/0056; B25F  
 5/00; B65D 43/00; F17C 13/06; F17C  
 2203/00; F17C 2201/00; F17C 2201/01;  
 F17C 2201/0157; F17C 2205/0111; F17C  
 2205/0134; F16J 12/00; F16J 13/00; H02J  
 7/0042; H02J 7/0044; H02J 7/0045;  
 H05B 1/0244; A24F 47/008; A24F  
 47/002; G06K 9/186

See application file for complete search history.

(56) **References Cited**

U.S. PATENT DOCUMENTS

D325,579 S \* 4/1992 Bouhuys ..... D14/191  
 D359,047 S \* 6/1995 Brandsma ..... D14/191  
 D359,459 S \* 6/1995 Summa ..... D10/49  
 D359,736 S \* 6/1995 Ishibashi ..... D14/191  
 D371,633 S \* 7/1996 Chenard ..... D27/163  
 D375,498 S \* 11/1996 Scheid ..... D14/191  
 D385,565 S \* 10/1997 Khoo ..... D14/191  
 D400,878 S \* 11/1998 Scheid ..... D14/191  
 D417,216 S \* 11/1999 Wolf ..... D14/191  
 D424,236 S \* 5/2000 Reed ..... D27/163  
 D433,532 S \* 11/2000 Higgins ..... D27/186  
 D436,222 S \* 1/2001 Lim ..... D27/141  
 D440,200 S \* 4/2001 Tsuboi ..... D13/103  
 6,244,273 B1 \* 6/2001 Higgins ..... A45D 19/02  
 132/112  
 D547,859 S \* 7/2007 Choi ..... D24/113

D566,712 S \* 4/2008 Ah ..... D14/426  
 D577,150 S \* 9/2008 Bryman ..... D27/163  
 D585,367 S \* 1/2009 Dunbar ..... D13/108  
 D612,329 S \* 3/2010 Guccione ..... D13/108  
 D643,807 S \* 8/2011 Jiang ..... D13/103  
 7,987,819 B1 \* 8/2011 Bridges ..... A01K 13/001  
 119/604  
 D717,243 S \* 11/2014 Liu ..... D13/103  
 D722,018 S \* 2/2015 Wang ..... D13/103  
 D730,280 S \* 5/2015 Koebler ..... D13/107  
 D733,051 S \* 6/2015 Wang ..... D13/103  
 D743,099 S \* 11/2015 Oglesby ..... D27/101  
 D748,325 S \* 1/2016 Leidel ..... D27/163  
 9,300,106 B2 \* 3/2016 Armbruster ..... H01S 3/0407  
 D756,032 S \* 5/2016 Chen ..... D27/189  
 D758,004 S \* 5/2016 Freshwater ..... D27/163  
 D758,655 S \* 6/2016 Freshwater ..... D27/163  
 D758,656 S \* 6/2016 Freshwater ..... D27/163  
 D761,999 S \* 7/2016 Liu ..... D27/101  
 D763,185 S \* 8/2016 Wen ..... D13/103  
 D768,331 S \* 10/2016 Chen ..... D27/101  
 D769,520 S \* 10/2016 Hua ..... D27/167  
 D770,678 S \* 11/2016 Shin ..... D27/163  
 D771,561 S \* 11/2016 Walker ..... D13/103  
 D771,867 S \* 11/2016 Leidel ..... D27/163  
 D772,477 S \* 11/2016 Shin ..... D27/163  
 D773,114 S \* 11/2016 Leidel ..... D27/163  
 D775,762 S \* 1/2017 Chen ..... D27/101  
 D776,051 S \* 1/2017 Wang ..... D13/103  
 D780,116 S \* 2/2017 Bing ..... D13/107  
 D781,812 S \* 3/2017 Cho ..... D14/204  
 D787,440 S \* 5/2017 Pignotti ..... D13/108  
 D788,362 S \* 5/2017 Qiu ..... D27/101  
 D788,364 S \* 5/2017 Chen ..... D27/163  
 D791,077 S \* 7/2017 Tsou ..... D13/108  
 D798,497 S \* 9/2017 Scheiber ..... D27/101  
 D800,377 S \* 10/2017 Liu ..... D27/101  
 D805,470 S \* 12/2017 Qiu ..... D13/103  
 D807,286 S \* 1/2018 Qiu ..... D13/103  
 D808,073 S \* 1/2018 Leidel ..... D27/162  
 D812,000 S \* 3/2018 Li ..... D13/108  
 D814,405 S \* 4/2018 Hahn ..... D13/107  
 D815,036 S \* 4/2018 Martorell ..... D13/108  
 D818,946 S \* 5/2018 Liu ..... D13/103  
 D819,880 S \* 6/2018 Qiu ..... D27/101  
 D821,640 S \* 6/2018 Qiu ..... D27/162  
 2004/0173163 A1 \* 9/2004 Bond ..... A01K 13/001  
 119/651

2006/0103242 A1 \* 5/2006 Lin ..... H02J 9/062  
 307/66  
 2008/0121244 A1 \* 5/2008 Bryman ..... A24F 3/00  
 131/328  
 2009/0108802 A1 \* 4/2009 Wu ..... H01M 10/425  
 320/103  
 2010/0313901 A1 \* 12/2010 Fernando ..... A24F 47/008  
 131/330  
 2011/0162663 A1 \* 7/2011 Bryman ..... A24F 3/00  
 131/226  
 2015/0148686 A1 \* 5/2015 Baym ..... A61B 5/445  
 600/476  
 2015/0155726 A1 \* 6/2015 Duan ..... H01H 13/50  
 320/113  
 2017/0266374 A1 \* 9/2017 Pananen ..... A61M 5/14566

\* cited by examiner

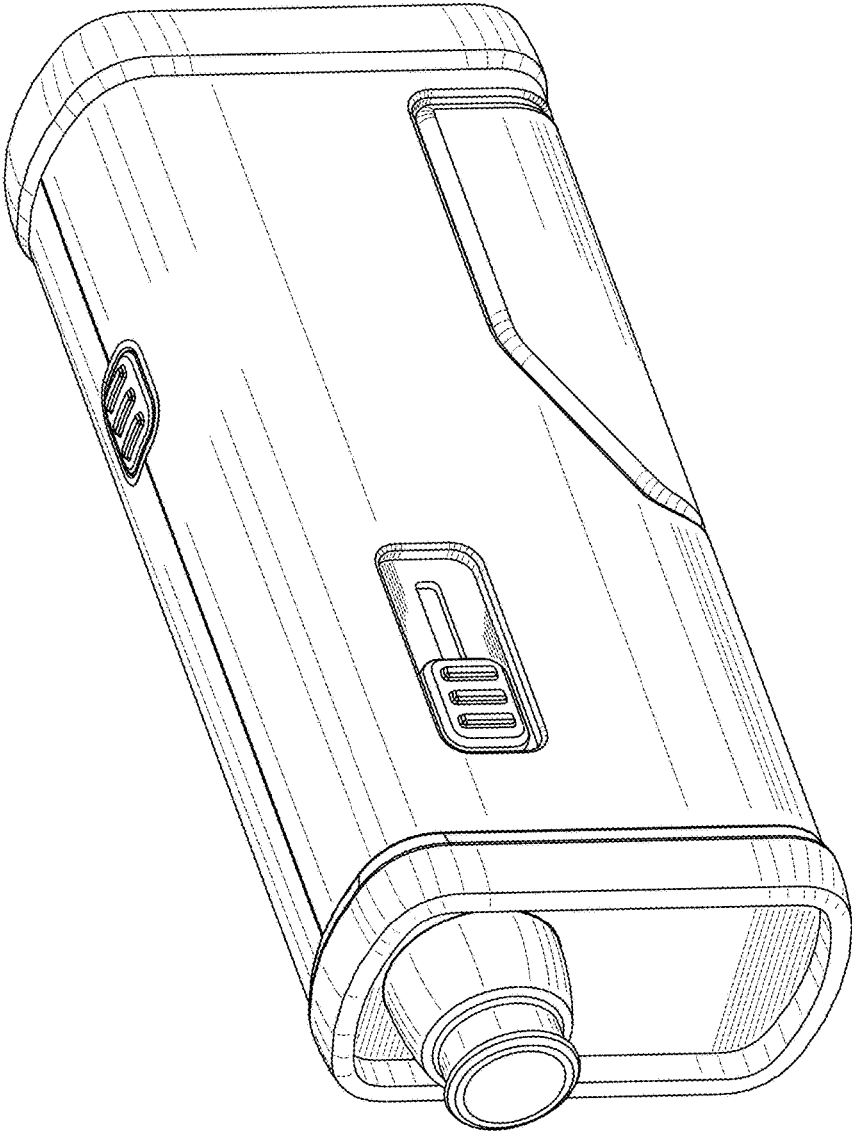


FIG. 1

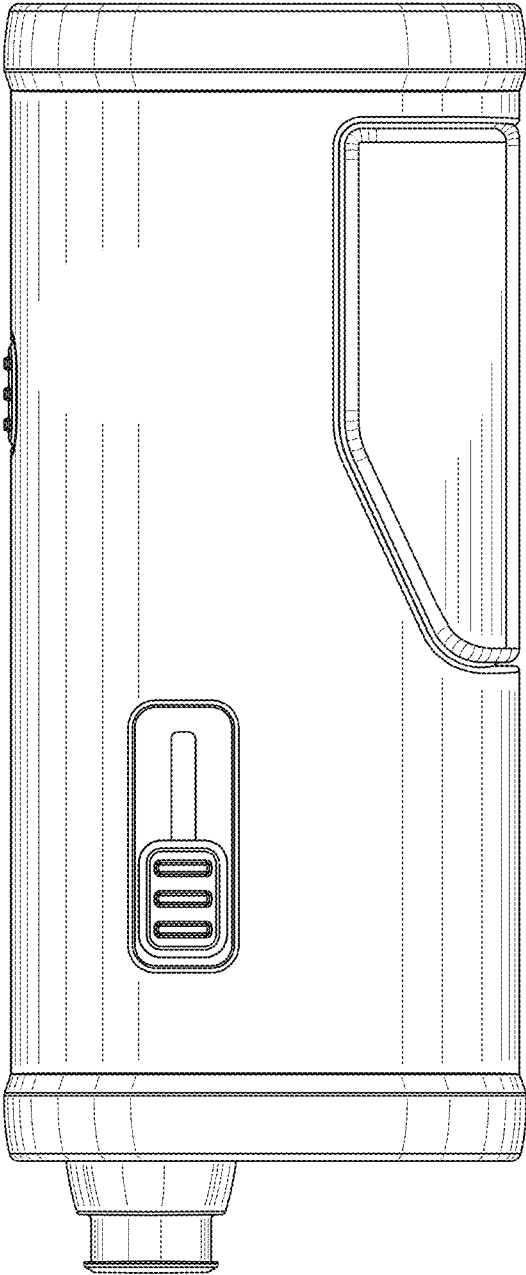


FIG. 2

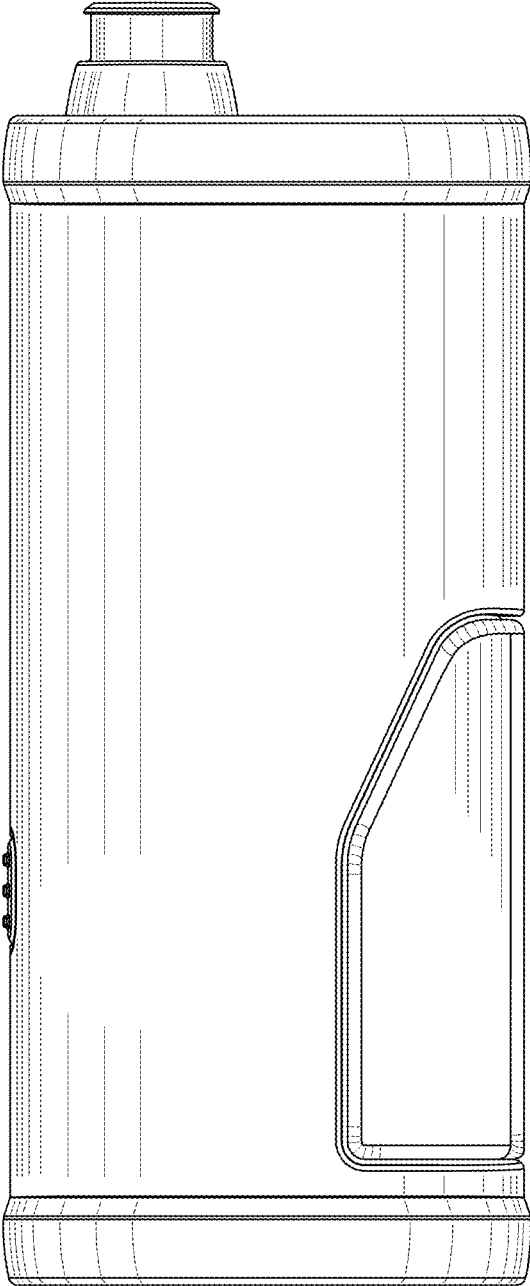


FIG. 3

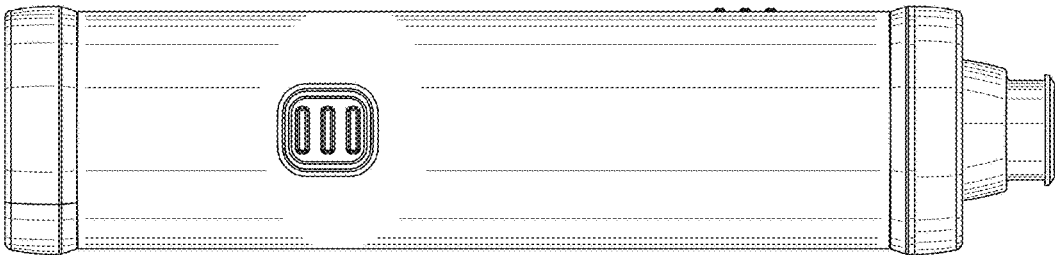


FIG. 4

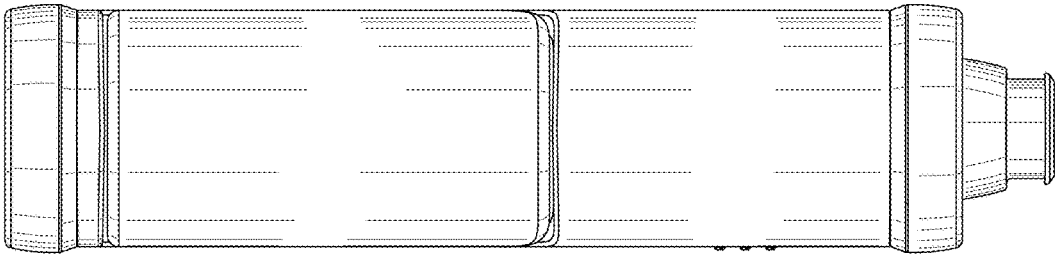


FIG. 5

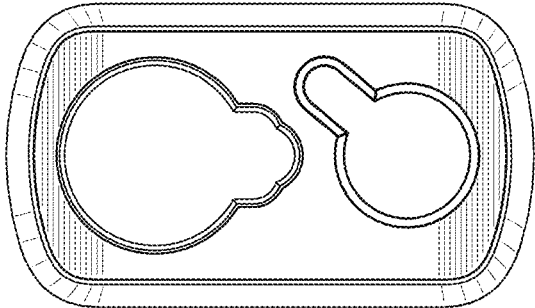


FIG. 6

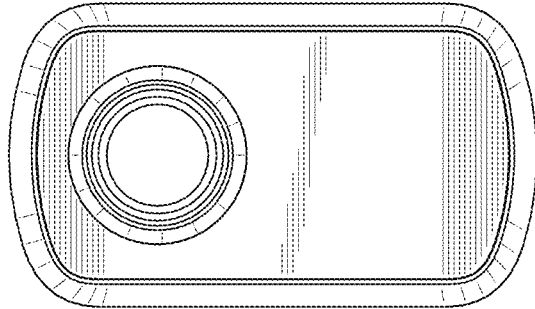


FIG. 7