



US00D792800S

(12) **United States Design Patent**
Kwon

(10) **Patent No.:** **US D792,800 S**
(45) **Date of Patent:** **** Jul. 25, 2017**

- (54) **RING**
- (71) Applicant: **HARRY WINSTON SA,**
Plan-les-Ouates (CH)
- (72) Inventor: **Chaecree Kwon,** Brooklyn, NY (US)
- (73) Assignee: **HARRY WINSTON SA,**
Plan-les-Ouates (CH)
- (**) Term: **15 Years**

D537,376	S *	2/2007	Gorrie	D11/34
D538,700	S *	3/2007	Stipek	D11/36
D581,308	S *	11/2008	Fernandez	D11/34
D780,028	S *	2/2017	Yatsugi-Kang	D11/34
D780,030	S *	2/2017	Yatsugi-Kang	D11/34
2005/0199007	A1 *	9/2005	LaCroix	A44C 17/02 63/28
2009/0071192	A1 *	3/2009	Bauman	A44C 9/00 63/15
2017/0049195	A1 *	2/2017	Dholakiya	A44C 17/02

- (21) Appl. No.: **29/572,753**
- (22) Filed: **Jul. 29, 2016**

(30) **Foreign Application Priority Data**

Jan. 29, 2016 (WO) DM/089 200

- (51) **LOC (10) Cl.** **11-01**
- (52) **U.S. Cl.**
USPC **D11/34**

(58) **Field of Classification Search**

USPC D11/1, 2, 26-39, 40-4, 79-86, 91, 924;
63/26-28

CPC A44C 9/00; A44C 9/0007; A44C 9/0015;
A44C 9/0023; A44C 9/003; A44C
9/0038; A44C 9/0046; A44C 9/0053;
A44C 9/0061; A44C 9/0069; A44C
9/0076; A44C 17/02; A44C 17/0208;
A44C 17/0216; A44C 17/0225; A44C
17/0233; A44C 17/0241; A44C 17/025;
A44C 17/0258; A44C 17/0266; A44C
17/0275; A44C 17/0283; A44C 17/0291

See application file for complete search history.

(56) **References Cited**

U.S. PATENT DOCUMENTS

1,325,840	A *	12/1919	Feagans	A44C 9/00 63/15
1,822,392	A *	9/1931	Esterman	A44C 9/02 63/15.4

OTHER PUBLICATIONS

[Online] "HW Logo Rose Gold Diamond Ring by Harry Winston"
<http://www.harrywinston.com/en/hw-logo-rose-gold-diamond-ring-harry-winston>. Retrieved Apr. 25, 2017.*

[Online] <https://diamondsource-diamondsource.netdna-ssl.com/wp-content/uploads/2015/02/14kt-White-Gold-Channel-Set-Diamond-Wedding-Band-1.05ct-Diamonds-BN-17612.jpg>. Retrieved Apr. 25, 2017.*

* cited by examiner

Primary Examiner — Melanie Pellegrini

(74) *Attorney, Agent, or Firm* — Donald J. Ranft; Collen IP

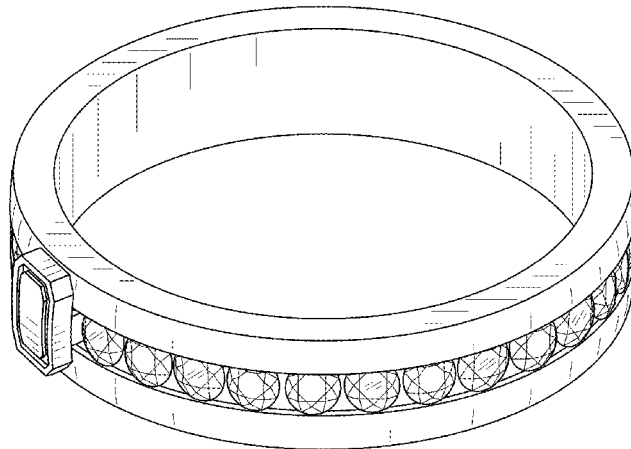
(57) **CLAIM**

The ornamental design for a ring, as shown.

DESCRIPTION

FIG. 1 is a front perspective view of a ring showing my new design;
FIG. 2 is a front view thereof;
FIG. 3 is a rear view thereof;
FIG. 4 is a left side view thereof;
FIG. 5 is a right side view thereof;
FIG. 6 is a top view thereof;
FIG. 7 is a bottom view thereof; and,
FIG. 8 is a rear perspective view thereof.

1 Claim, 5 Drawing Sheets



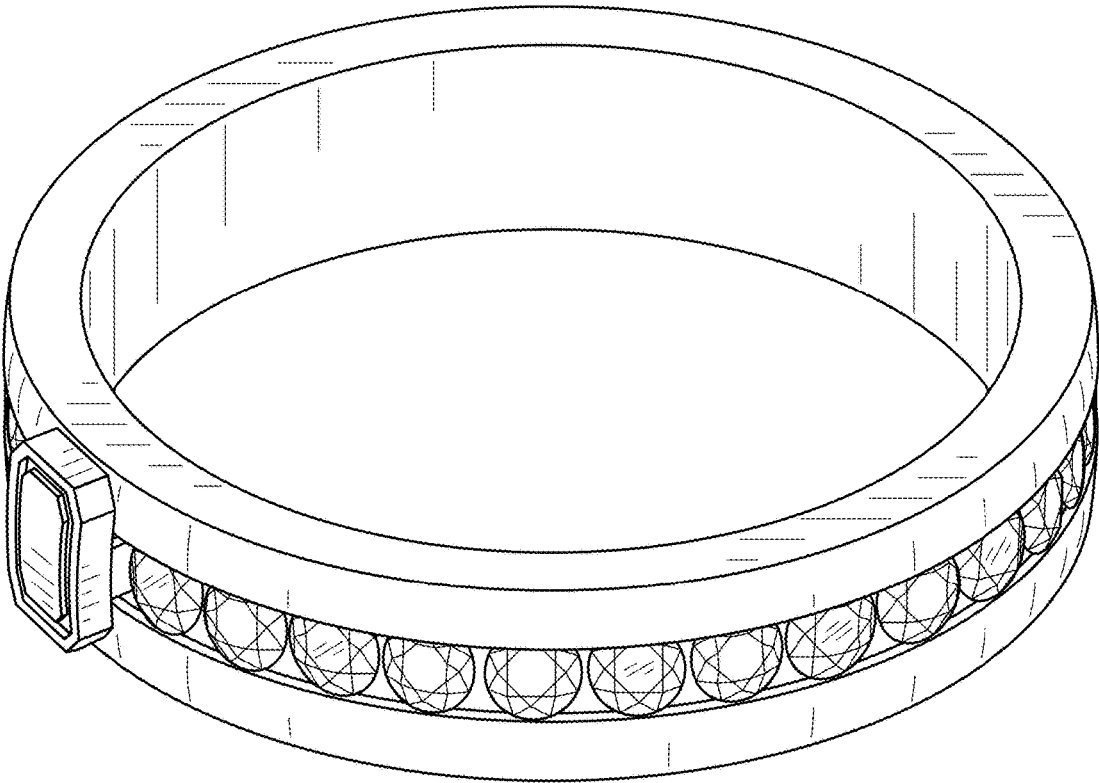


FIG. 1

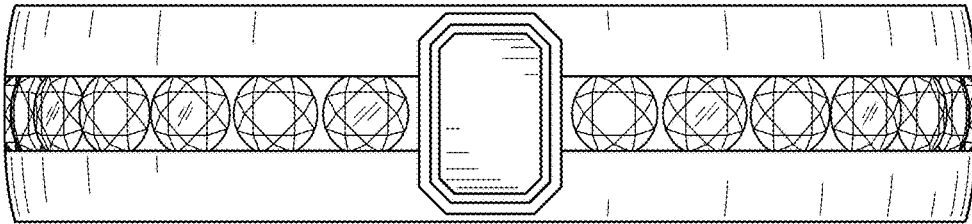


FIG. 2

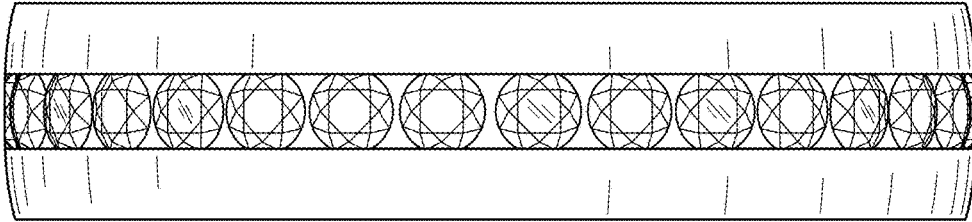


FIG. 3

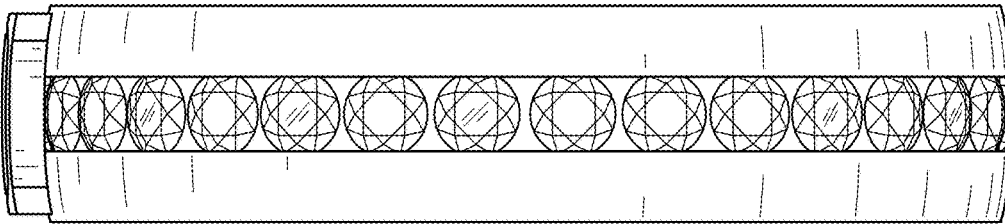


FIG. 4

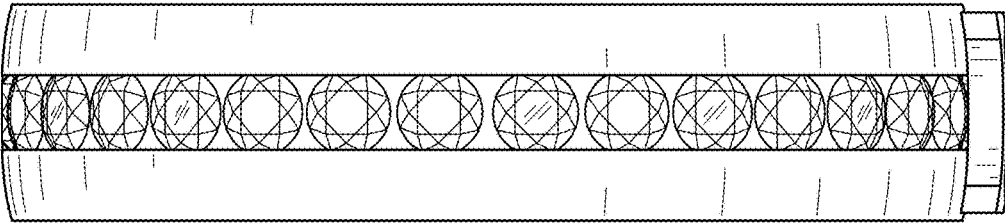


FIG. 5

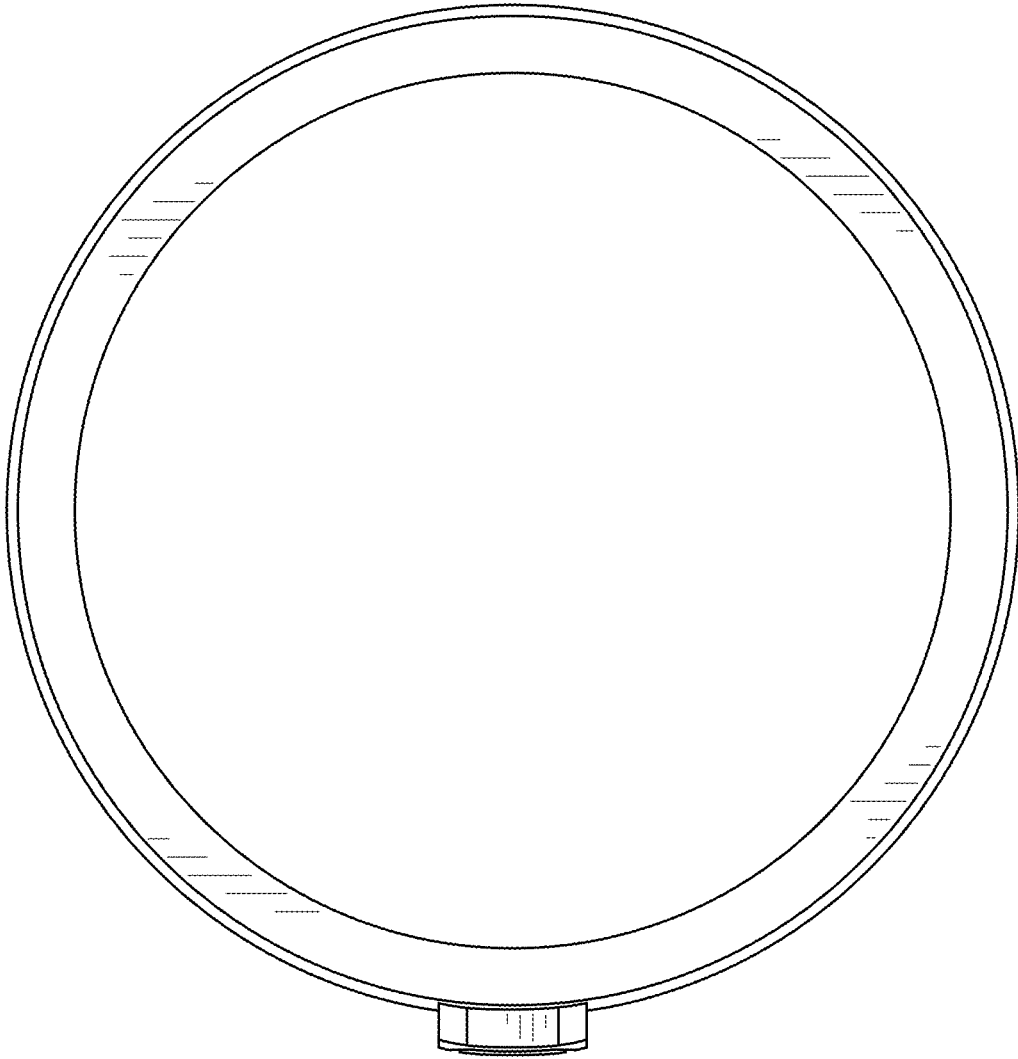


FIG. 6

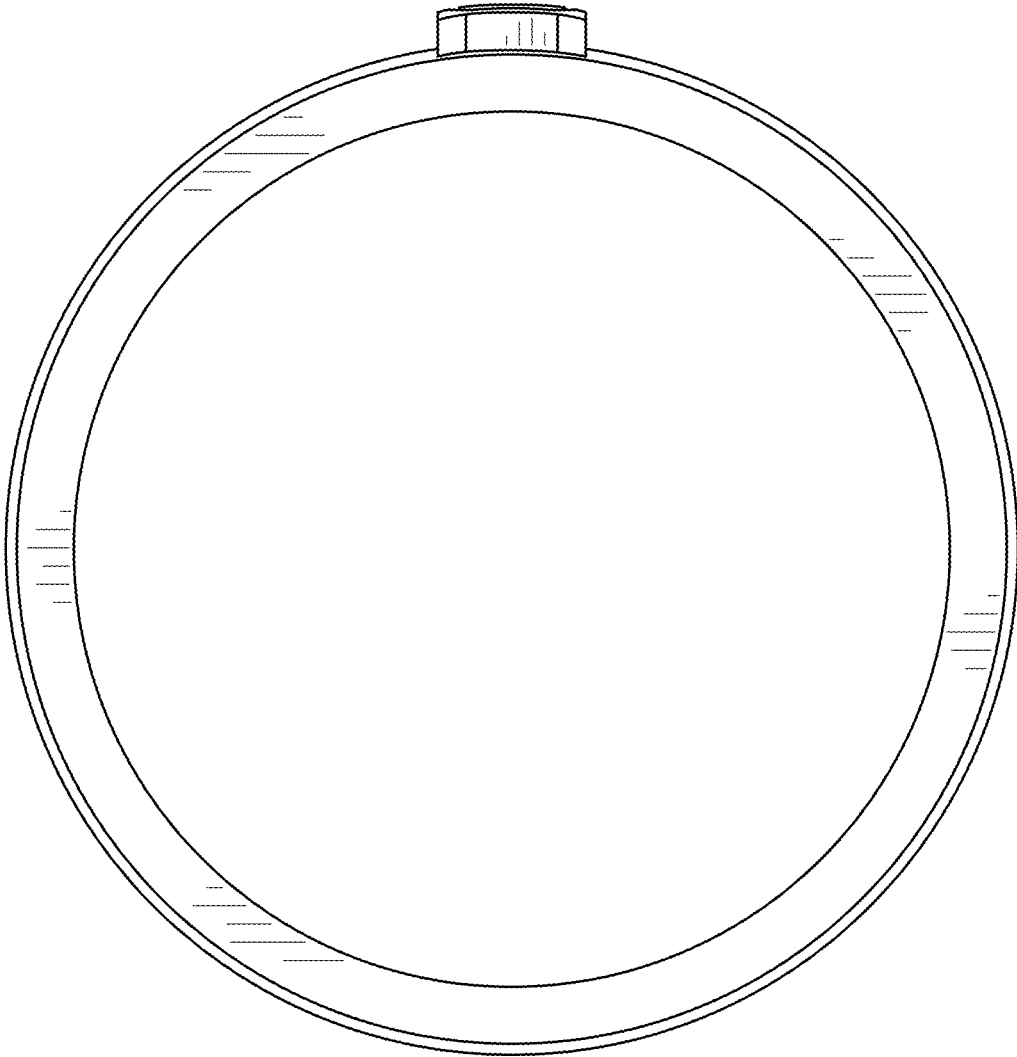


FIG. 7

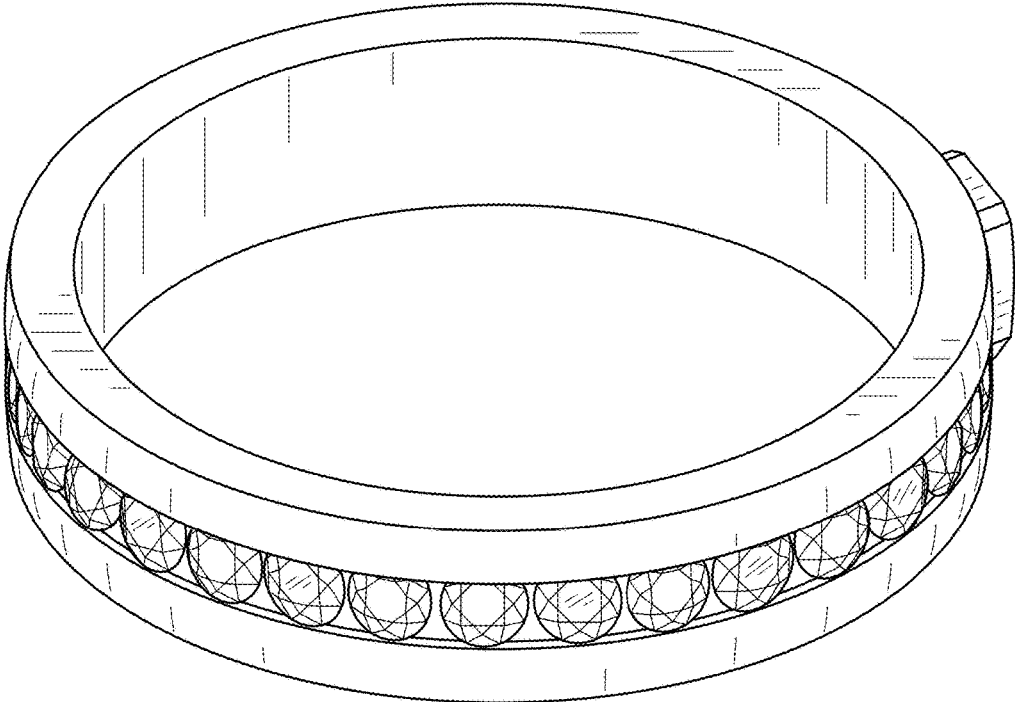


FIG. 8