



US00D948817S

(12) **United States Design Patent**
Zou

(10) **Patent No.:** **US D948,817 S**

(45) **Date of Patent:** **** Apr. 12, 2022**

- (54) **HANDHELD VACUUM CLEANER**
- (71) Applicant: **FINE DRAGON TECHNOLOGY LIMITED**, Guangdong (CN)
- (72) Inventor: **Zhenren Zou**, Guangdong (CN)
- (73) Assignee: **FINE DRAGON TECHNOLOGY LIMITED**, Shenzhen (CN)
- (**) Term: **15 Years**
- (21) Appl. No.: **29/736,656**

D565,814	S	*	4/2008	Agren	D32/22
D565,816	S	*	4/2008	Agren	D32/22
D574,563	S	*	8/2008	Fjellman	D32/22
D582,111	S	*	12/2008	Agren	D32/22
D597,717	S	*	8/2009	Rosenzweig	A47L 13/225 D32/45
D613,469	S	*	4/2010	Agren	D32/22
D685,557	S	*	7/2013	Rosenzweig	D32/45
D725,854	S	*	3/2015	Yoshitomi	D32/22
D742,609	S	*	11/2015	Irwin	D32/50
D743,125	S	*	11/2015	Lee	D32/22
9,883,780	B2	*	2/2018	Kim	A47L 9/14
D861,268	S	*	9/2019	Meyer	D32/22
D872,396	S	*	1/2020	Miyawaki	D32/22
D875,335	S	*	2/2020	Sagkob	D32/22

(Continued)

- (22) Filed: **Jun. 2, 2020**
- (51) **LOC (13) Cl.** **15-05**
- (52) **U.S. Cl.**
USPC **D32/22**
- (58) **Field of Classification Search**
USPC D32/17-25, 31-34
CPC A47L 7/00; A47L 9/02; A47L 5/28; A47L 9/102; A47L 9/1608; A47L 9/1683; A47L 5/30; A47L 9/00; A47L 9/04; A47L 9/0422; A47L 9/0461; A47L 9/06; A47L 9/0488; A47L 11/00; A47L 11/20; A47L 11/22; A47L 11/24; A47L 11/32; A47L 11/302; A47L 11/40; E04H 4/1609; E04H 4/1618; E04H 4/1636
See application file for complete search history.

Primary Examiner — Kimberly Barnes

(57) **CLAIM**

The ornamental design for a handheld vacuum cleaner, as shown and described.

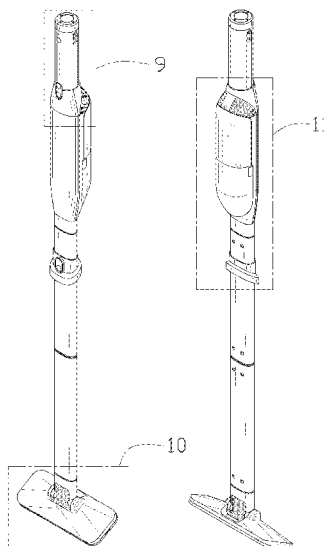
DESCRIPTION

FIG. 1 is a top, front and right side perspective view of a handheld vacuum cleaner showing my new design; FIG. 2 is a top, rear and left side perspective view thereof; FIG. 3 is a front elevational view thereof; FIG. 4 is a rear elevational view thereof; FIG. 5 is a left side view thereof; FIG. 6 is a right side view thereof; FIG. 7 is a top plan view thereof; FIG. 8 is a bottom plan view thereof; FIG. 9 is an enlarged view of portion 9 in FIG. 1; FIG. 10 is an enlarged view of portion 10 in FIG. 1; and, FIG. 11 is an enlarged view of portion 11 in FIG. 2. The broken lines in the drawings illustrate portions of the handheld vacuum cleaner that form no part of the claimed design.

(56) **References Cited**
U.S. PATENT DOCUMENTS

D280,033	S	*	8/1985	Miyamoto	D32/18
D290,894	S	*	7/1987	Miyamoto	D32/18
D303,173	S	*	8/1989	Miyamoto	D32/22
D313,879	S	*	1/1991	Ito	D32/22
D398,099	S	*	9/1998	Leung	D32/22
D428,226	S	*	7/2000	Kunkler	D32/45
D477,701	S	*	7/2003	Kunkler	D32/45
7,048,458	B2	*	5/2006	Hall	A47L 13/22 222/518
D548,910	S	*	8/2007	Murray	D32/45

1 Claim, 11 Drawing Sheets



(56)

References Cited

U.S. PATENT DOCUMENTS

D901,795 S * 11/2020 Rummel D32/15
2011/0088209 A1 * 4/2011 Ivarsson A47L 9/0686
15/393
2020/0154964 A1 * 5/2020 Schaller A47L 5/24

* cited by examiner

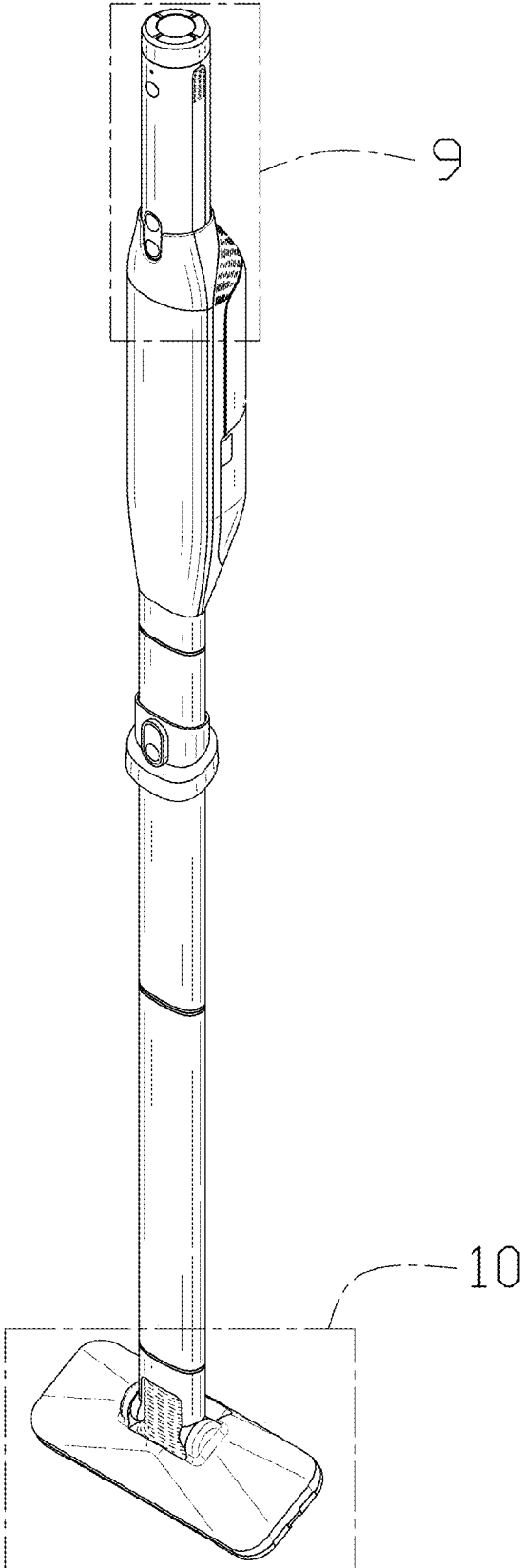


FIG. 1

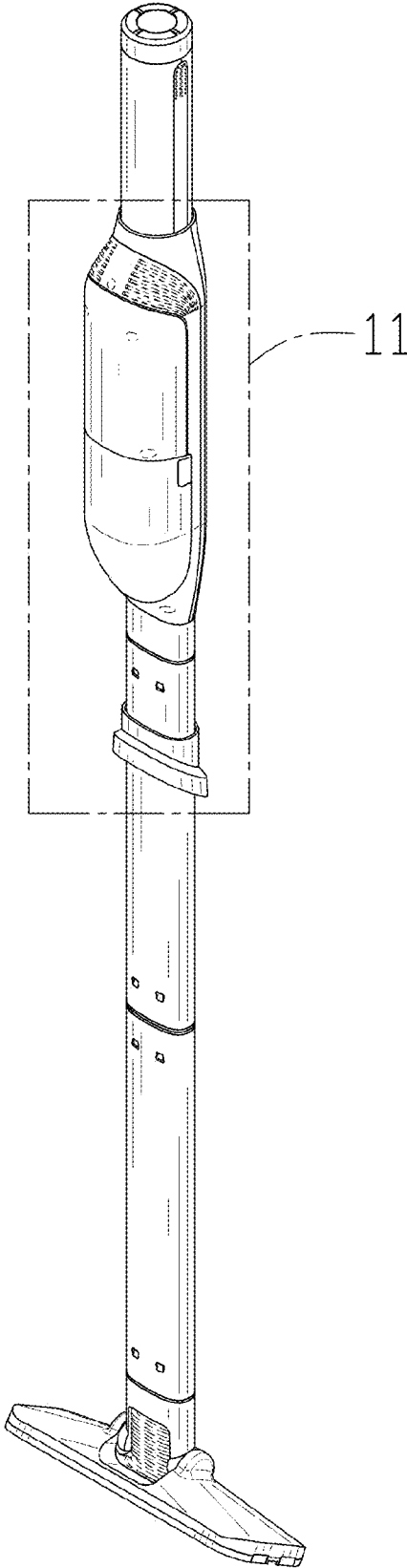


FIG. 2

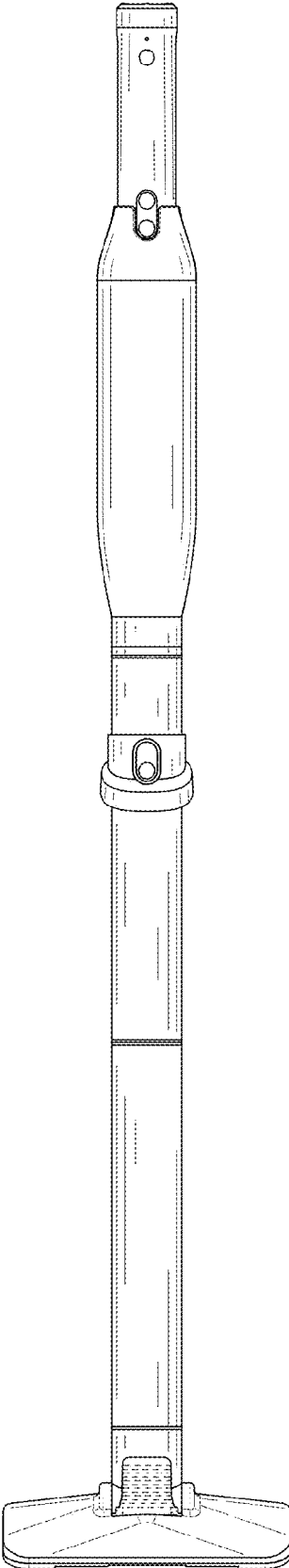


FIG. 3

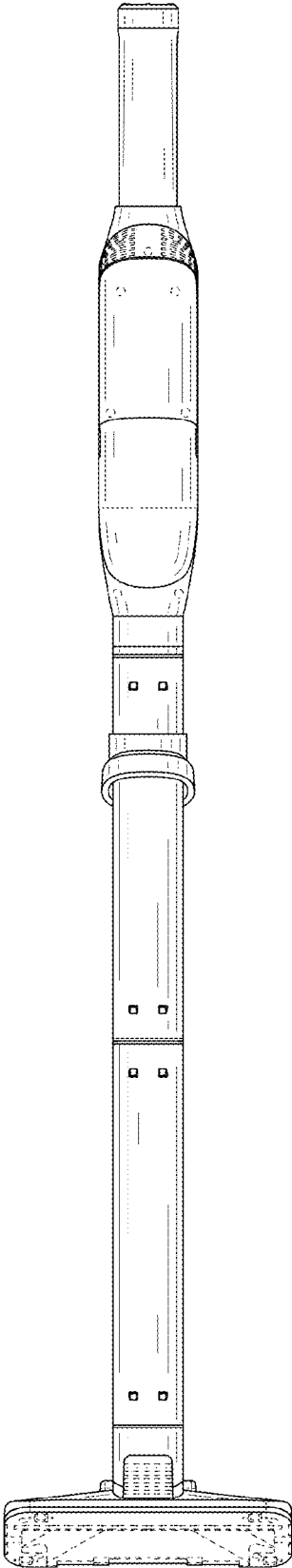


FIG. 4

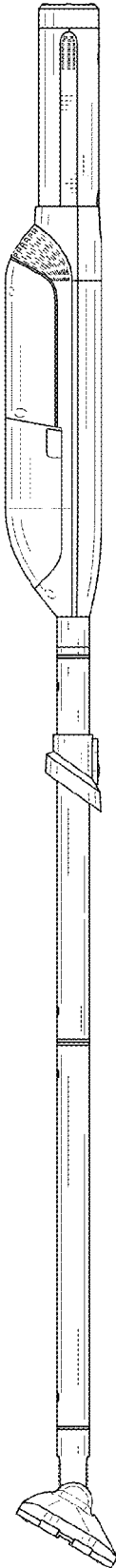


FIG. 5

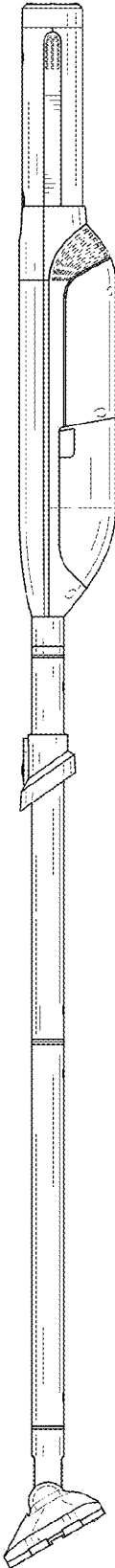


FIG. 6

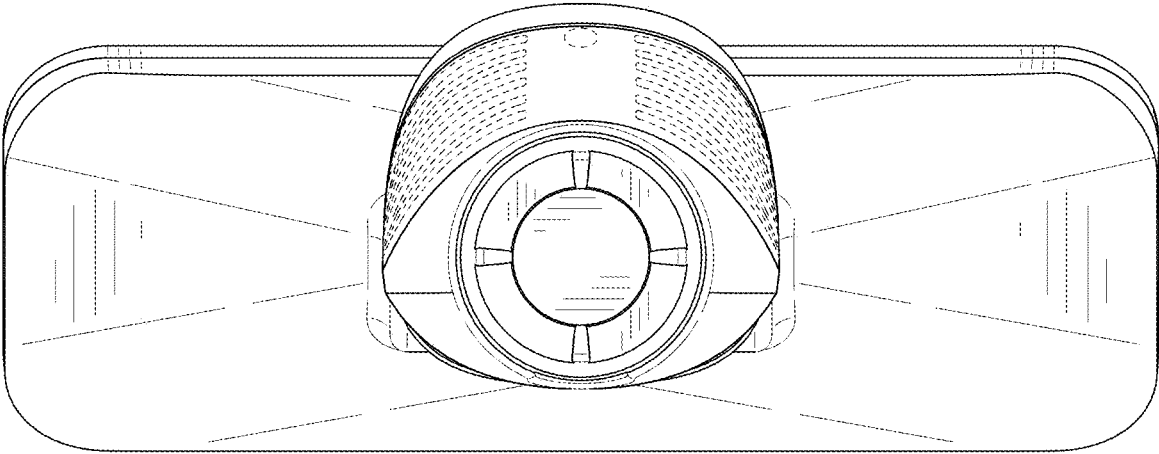


FIG. 7

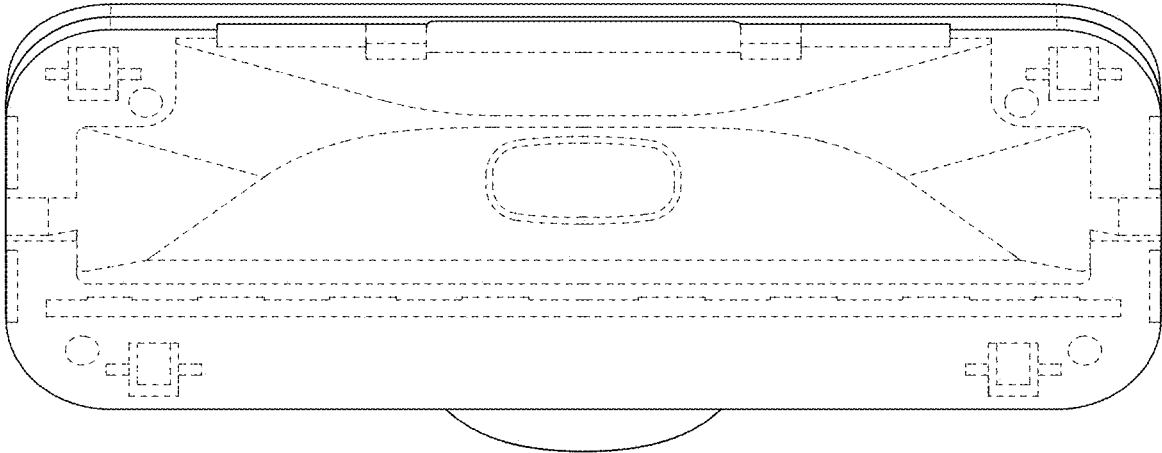


FIG. 8

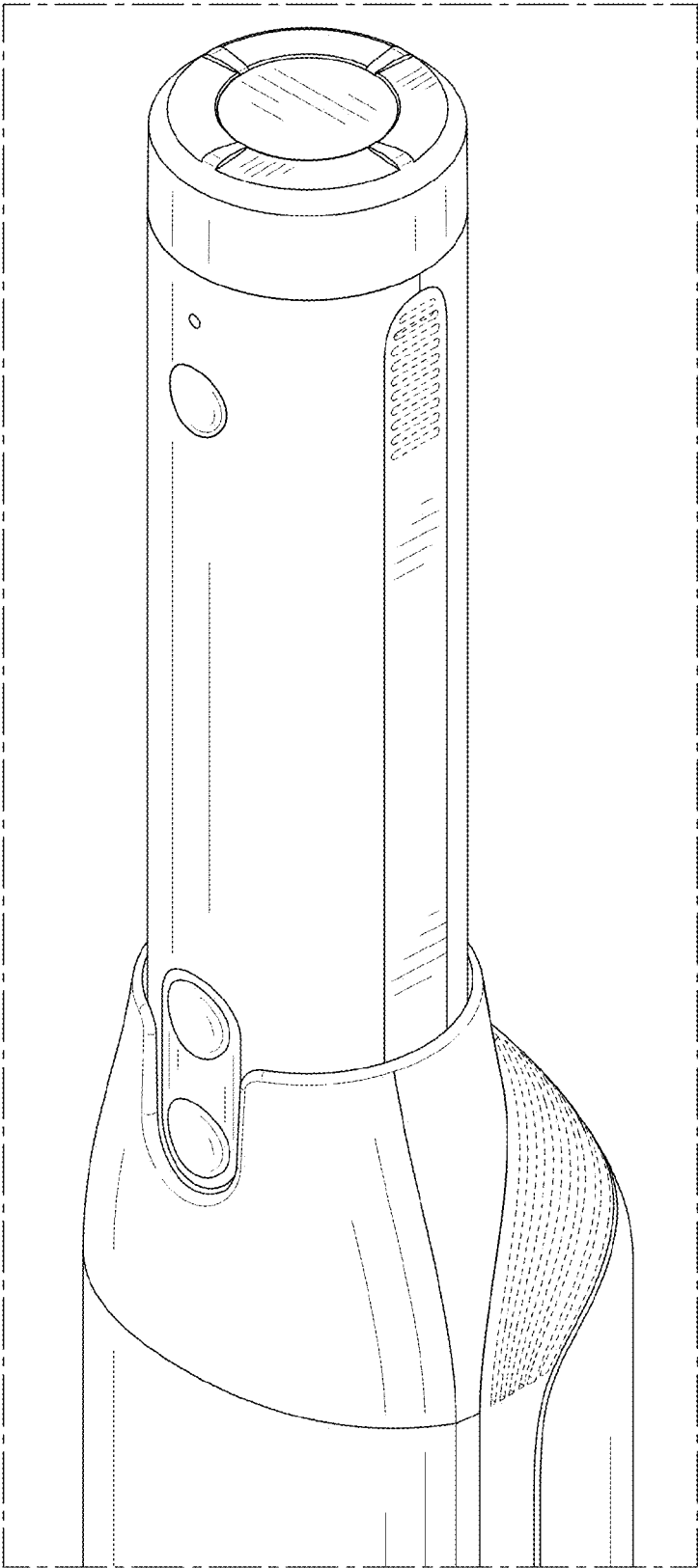


FIG. 9

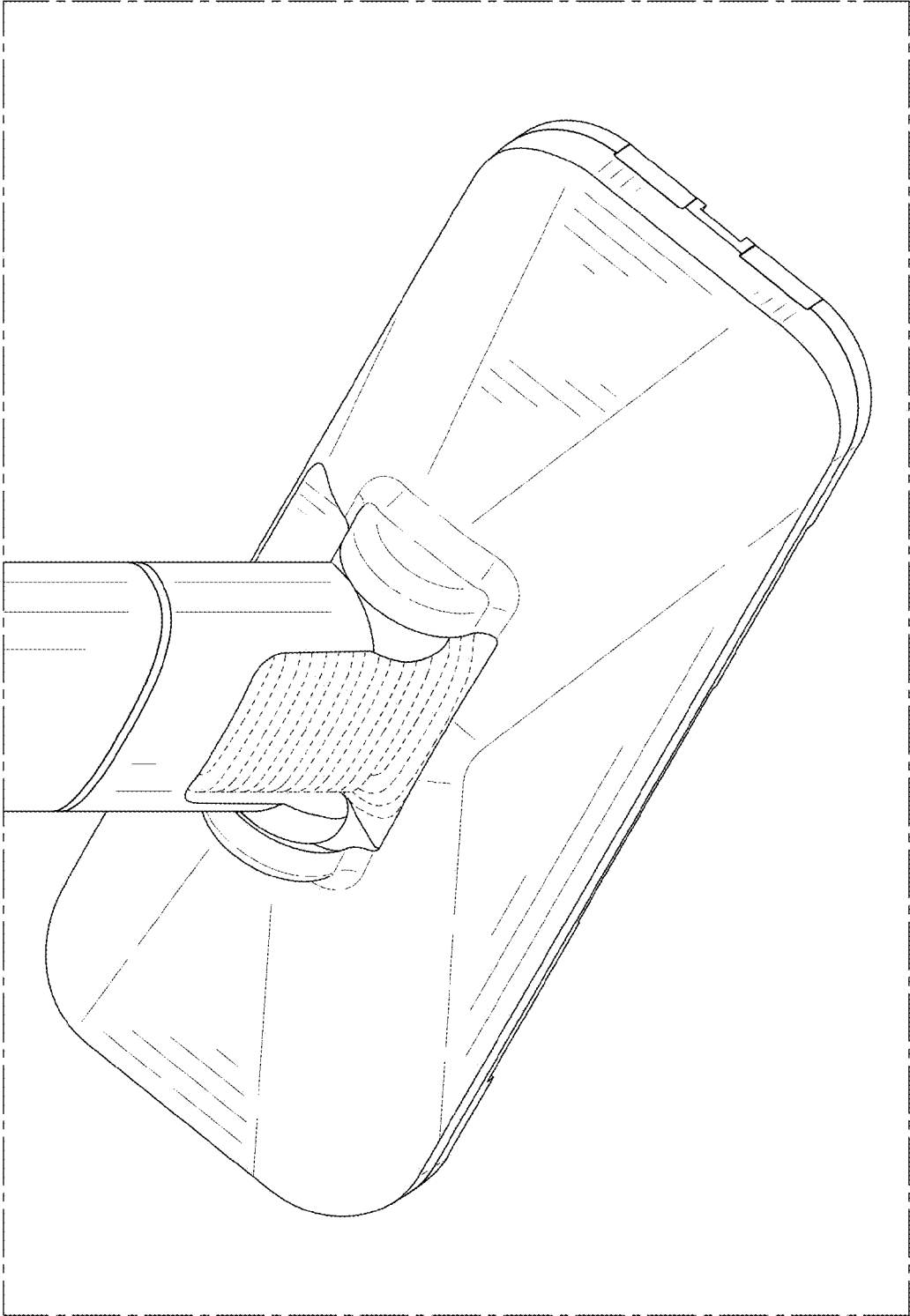


FIG. 10

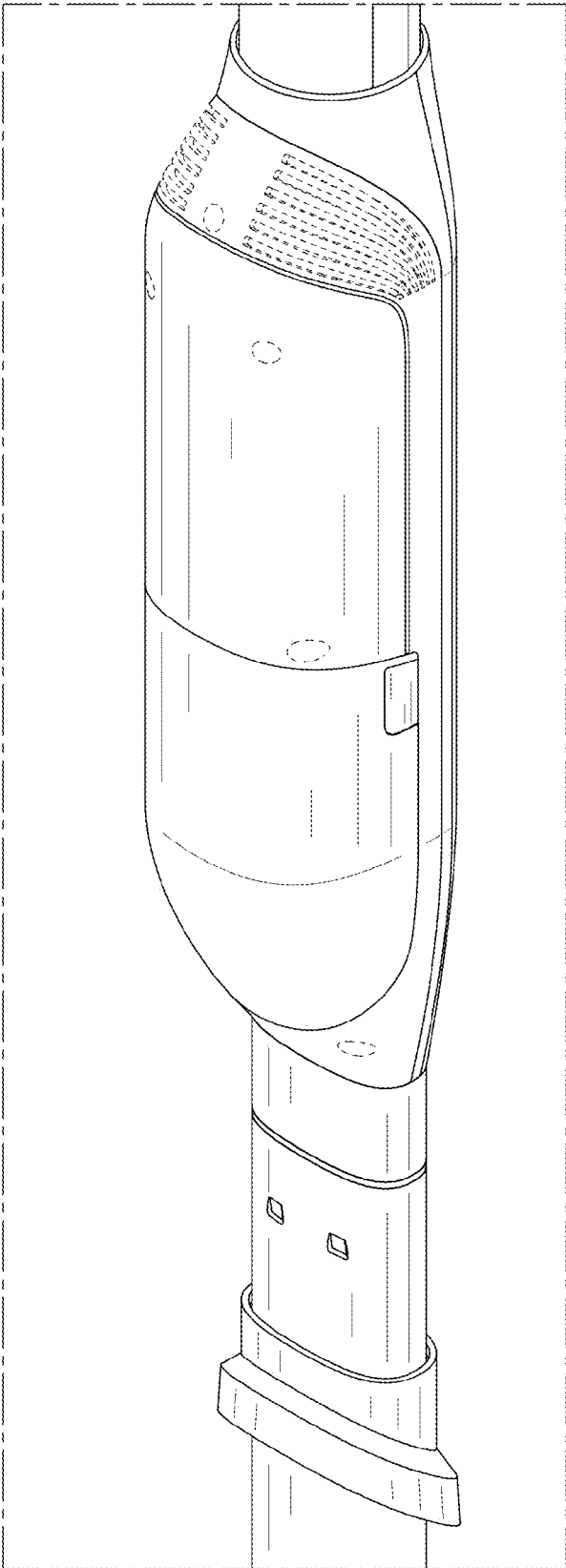


FIG. 11