



US00D532436S

(12) **United States Design Patent**  
**Kruse et al.**

(10) **Patent No.:** **US D532,436 S**

(45) **Date of Patent:** **\*\* Nov. 21, 2006**

(54) **PUSHBUTTON TRIPOD**

D243,328 S \* 2/1977 Kawazoe ..... D16/244  
D257,260 S \* 10/1980 Shiraishi ..... D16/244  
5,288,044 A \* 2/1994 Chen ..... 248/183.1

(75) Inventors: **James J. Kruse**, Mound, MN (US);  
**David Breyemeier**, Liburn, GA (US)

\* cited by examiner

(73) Assignee: **One Source Network, Inc.**, Liburn, GA (US)

*Primary Examiner*—Adir Aronovich  
(74) *Attorney, Agent, or Firm*—Clayton R. Johnson

(\*\*) Term: **14 Years**

(57) **CLAIM**

(21) Appl. No.: **29/253,959**

The ornamental design for a pushbutton tripod, as shown and described.

(22) Filed: **Feb. 15, 2006**

**DESCRIPTION**

(51) **LOC (8) Cl.** ..... **16-05**

FIG. 1 is top perspective view of the pushbutton tripod of our new design in a condition for use;

(52) **U.S. Cl.** ..... **D16/244**

FIG. 2 is a bottom perspective view of the pushbutton tripod of FIG. 1 shown in a collapsed condition.

(58) **Field of Classification Search** ..... D16/242,  
D16/244, 245; 248/168, 169, 170, 171, 183.1,  
248/183.2, 188.5, 188.6, 188.7; 396/419,  
396/428

FIG. 3 is a front elevation view of the pushbutton tripod of FIG. 1;

See application file for complete search history.

FIG. 4 is left side view thereof;

(56) **References Cited**

U.S. PATENT DOCUMENTS

2,553,890 A \* 5/1951 Bloch ..... 248/188.7  
2,919,093 A \* 12/1959 Mooney ..... 248/168

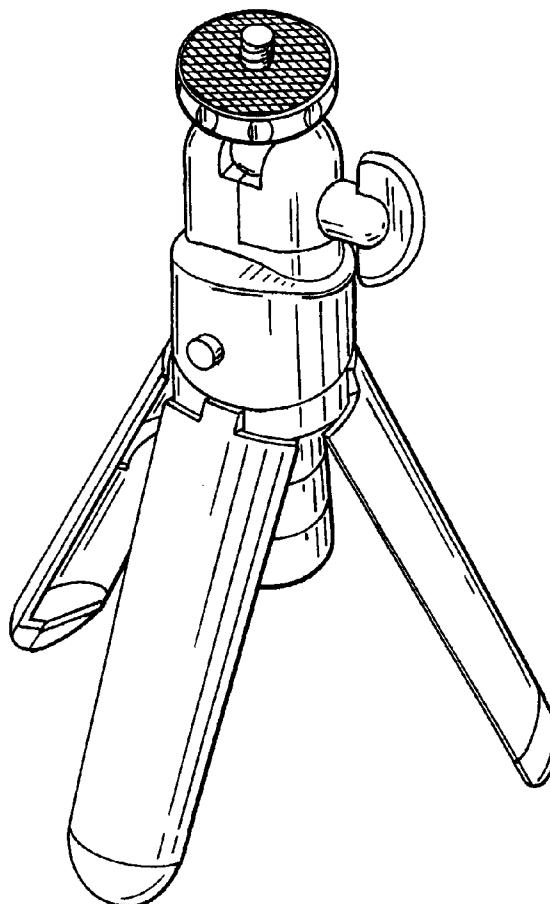
FIG. 5 is a back view thereof;

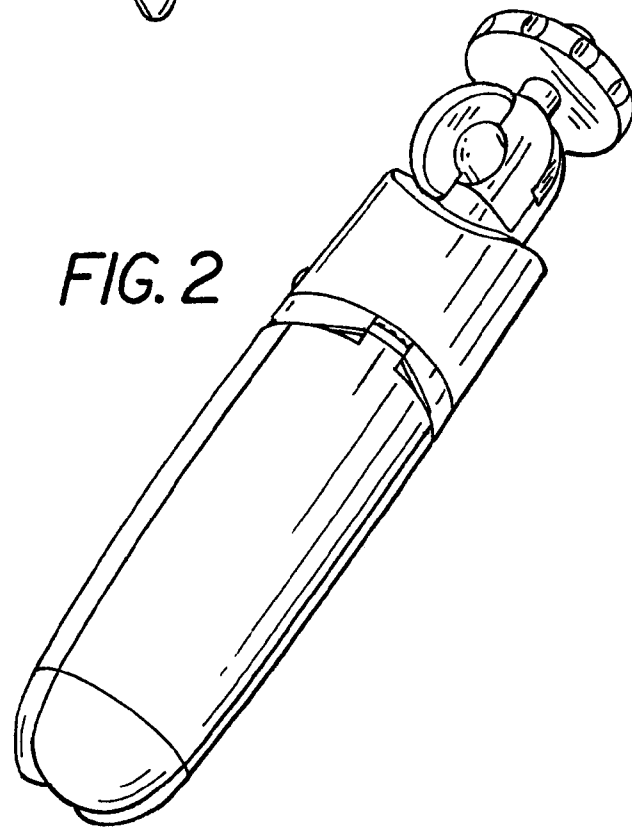
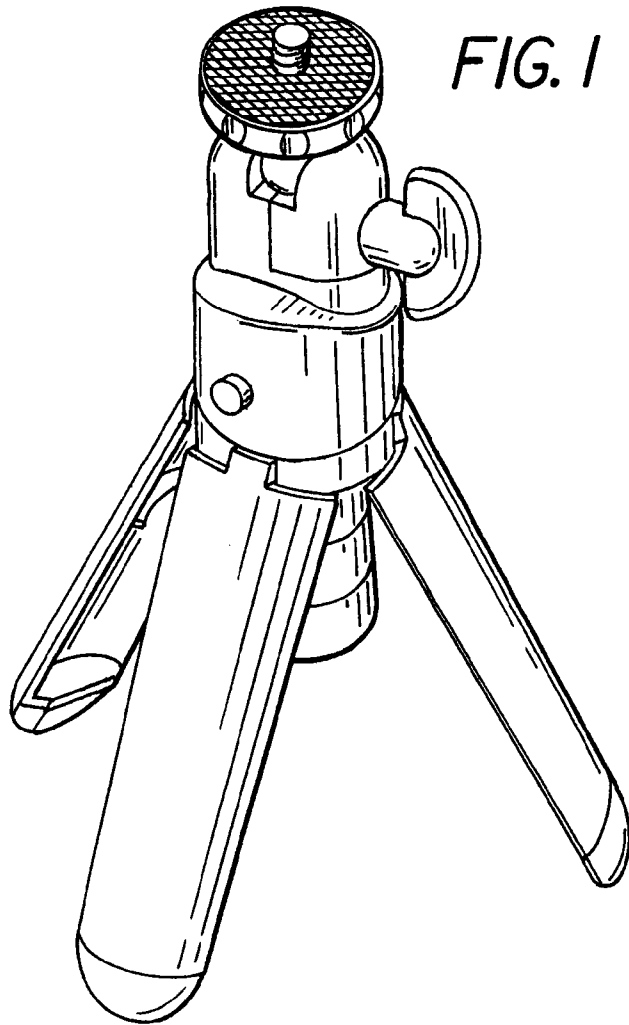
FIG. 6 is a right side view thereof;

FIG. 7 is a top view thereof; and,

FIG. 8 is a bottom view thereof.

**1 Claim, 4 Drawing Sheets**





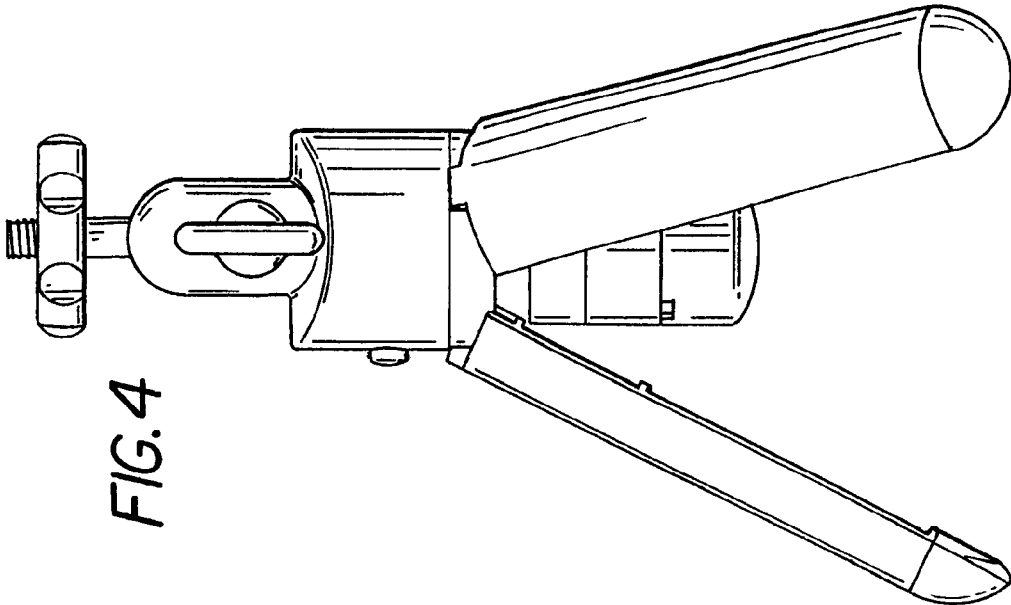


FIG. 4

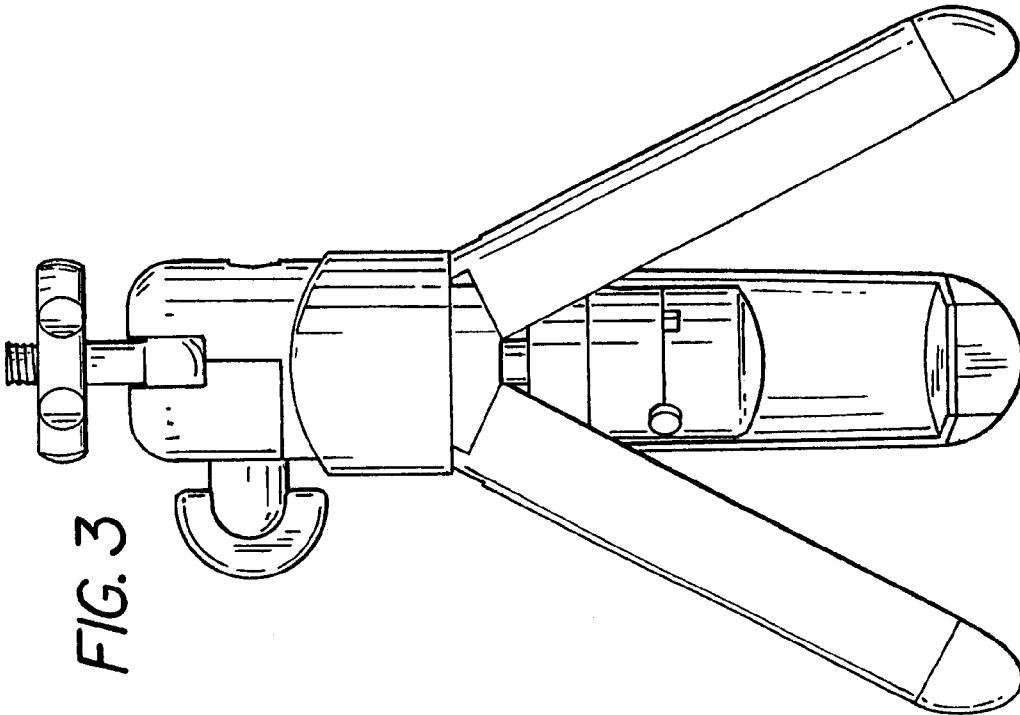


FIG. 3

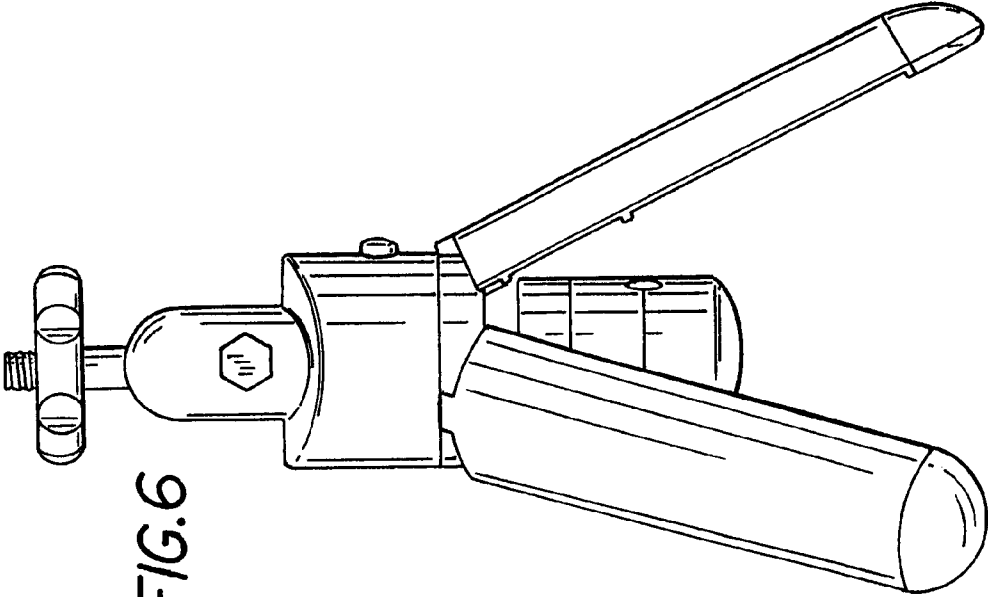


FIG. 6

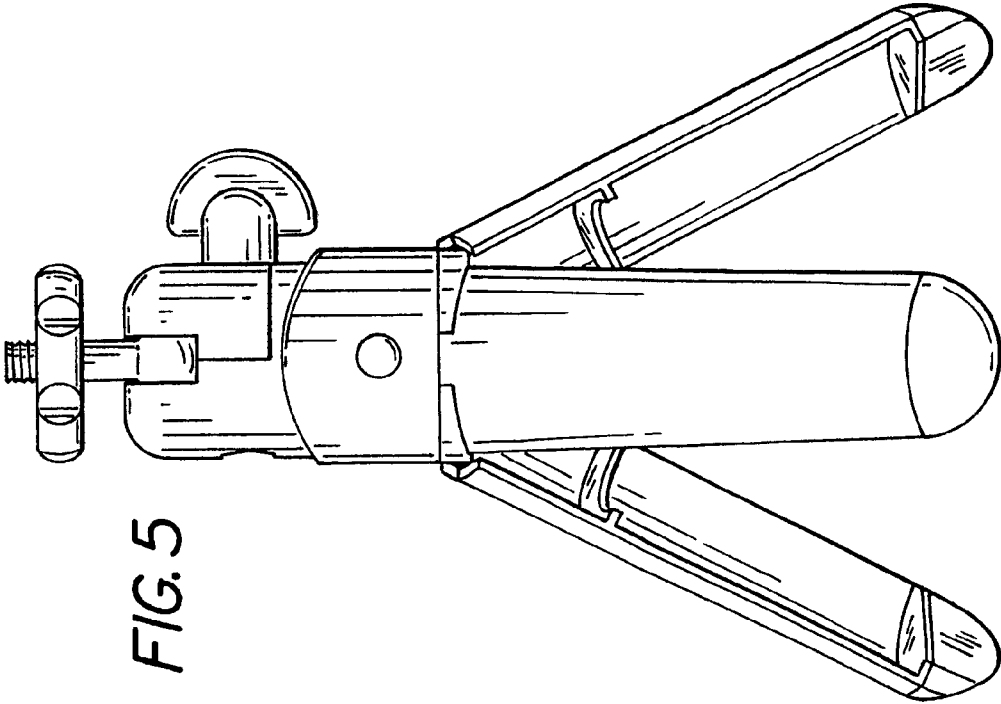


FIG. 5

FIG. 7

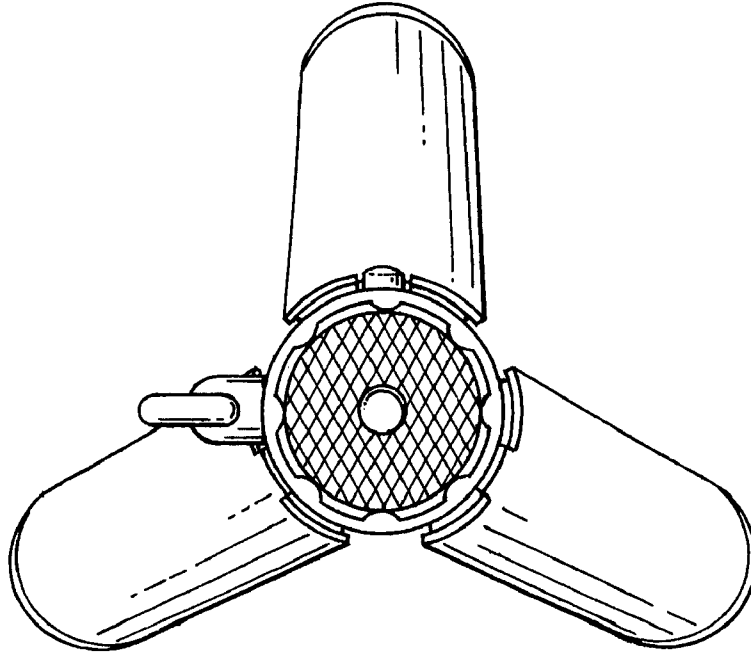


FIG. 8

