



US00D951562S

(12) **United States Design Patent**
Zhuo

(10) **Patent No.:** **US D951,562 S**

(45) **Date of Patent:** **** May 10, 2022**

(54) **PET BRUSH**
(71) Applicant: **XIAMEN SHENGFEINA TRADING CO., LTD.**, Xiamen (CN)

D921,366 S * 6/2021 He D4/102
D929,133 S * 8/2021 He D4/128
D939,215 S * 12/2021 He D4/102
2013/0055964 A1* 3/2013 Brady A01K 13/002
119/611

(72) Inventor: **Zhibin Zhuo**, Putian (CN)
(73) Assignee: **XIAMEN SHENGFEINA TRADING CO., LTD.**, Xiamen (CN)

FOREIGN PATENT DOCUMENTS

CN 306226167 * 12/2020

(**) Term: **15 Years**

OTHER PUBLICATIONS

(21) Appl. No.: **29/786,855**

“Marchul Cat Brush” available Mar. 10, 2022, [online], [site visited Mar. 21, 2022]. Retrieved from Internet, URL:https://www.amazon.com/Marchul-Cleaning-Undercoat-Particles-Grooming/dp/B0928DG3MN/ref=cm_cr_arp_d_product_top?ie=UTF8 (Year: 2022).*

(22) Filed: **Jun. 3, 2021**

(Continued)

(51) **LOC (13) Cl.** **30-99**
(52) **U.S. Cl.**

Primary Examiner — W. A. Teddy Falloway

Assistant Examiner — Katrina N Gonzalez

USPC **D30/159**

(58) **Field of Classification Search**

(57) **CLAIM**

The ornamental design for a pet brush, as shown and described.

USPC D30/158, 159, 160, 199; 119/600,
119/611–620, 625, 702, 703, 704, 707,
119/708, 709; D4/102, 114, 115, 136;
D24/215; D32/33
CPC .. A01K 15/027; A01K 15/025; A01K 13/002;
A45D 24/10; A45D 24/18; A45D 24/20;
A45D 24/16; A45D 24/00; A45D 24/02;
A45D 24/04

DESCRIPTION

See application file for complete search history.

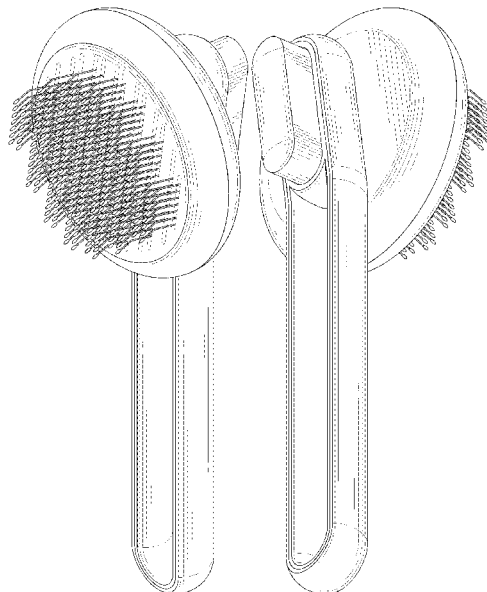
FIG. 1 is a perspective view of a pet brush showing my new design;
FIG. 2 is another perspective view thereof;
FIG. 3 is a front elevational view thereof;
FIG. 4 is a rear elevational view thereof;
FIG. 5 is a left side elevational view thereof;
FIG. 6 is a right side elevational view thereof;
FIG. 7 is a top plan view thereof;
FIG. 8 is a bottom plan view thereof; and,
FIG. 9 is a perspective view of the pet brush where the pet brush is in a configuration of use.
The broken lines in the drawings depict portions of the pet brush that form no part of the claimed design.

(56) **References Cited**

U.S. PATENT DOCUMENTS

712,530 A * 11/1902 Herfert A01K 13/002
119/632
D357,810 S * 5/1995 Evans D4/114
5,462,018 A * 10/1995 Louison A01K 13/001
119/626
D470,981 S 2/2003 Simon
D616,649 S 6/2010 Lin
D840,608 S * 2/2019 Snead, Sr. D4/114
D866,092 S * 11/2019 Liang D4/133

1 Claim, 9 Drawing Sheets



(56)

References Cited

OTHER PUBLICATIONS

“AliExpress Marchul” available Mar. 21, 2022, [online], [site visited Mar. 21, 2022]. Retrieved from Internet, URL:<https://www.aliexpress.com/i/1005003601111416.html#reviews> (Year: 2022).*

“Marchul Cat Brush Ubuy” available Mar. 10, 2022, [online], [site visited Mar. 21, 2022]. Retrieved from Internet, URL:<https://www.ubuy.co.id/en/product/MLGBROHC-cat-brush-hollow-design-slicker-brush-for-cat-dog-bristles-with-protective-coating-pet-shedding-tool> (Year: 2022).*

* cited by examiner

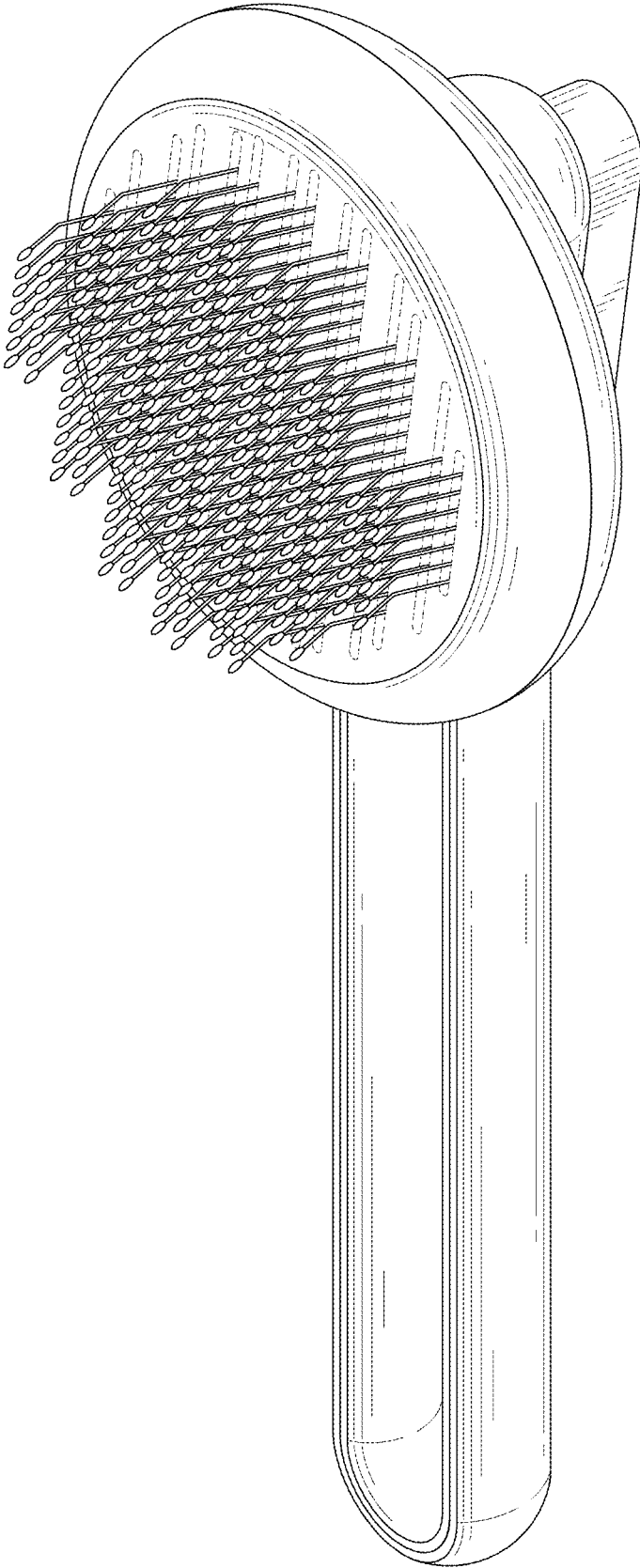


FIG. 1

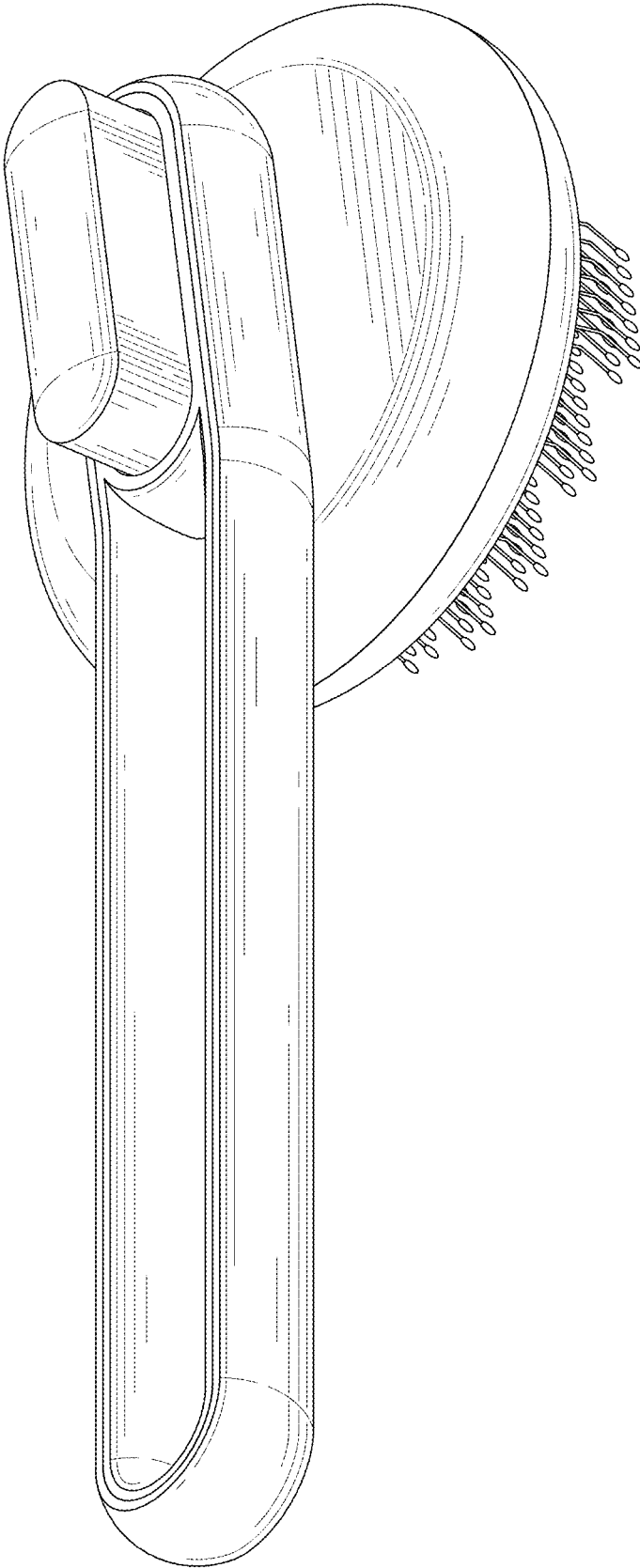


FIG. 2

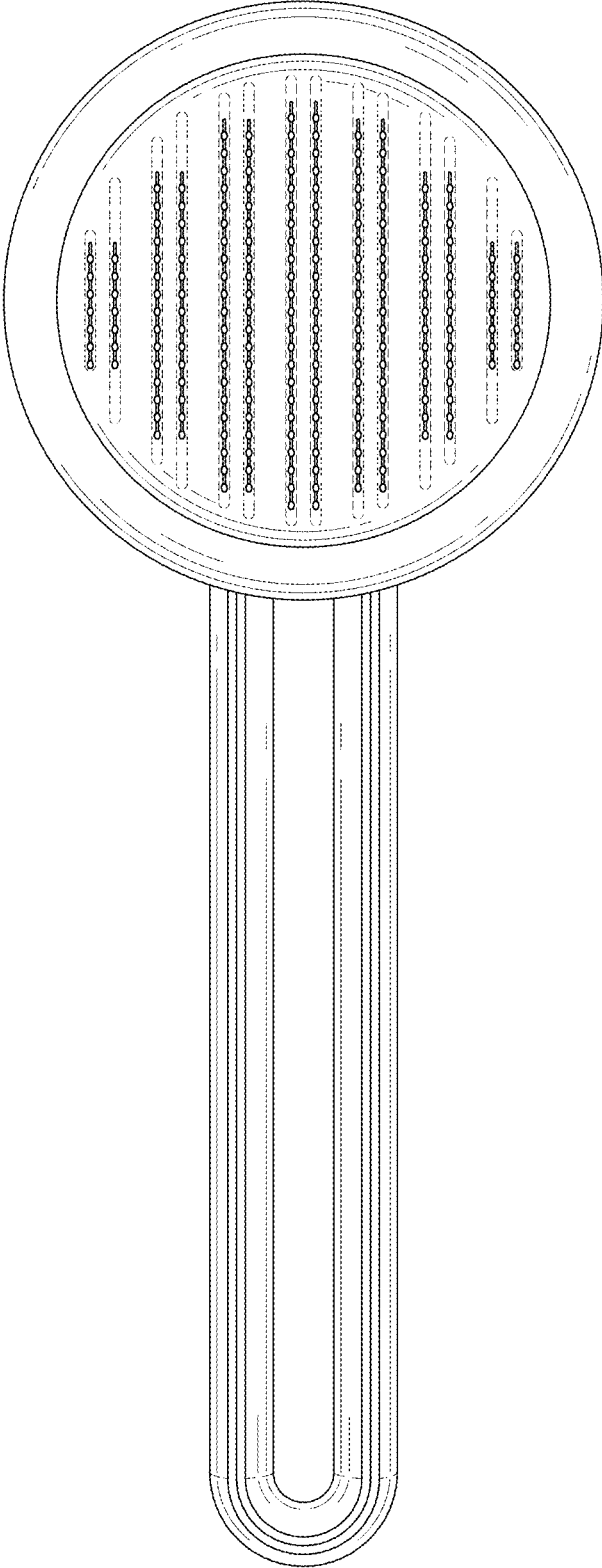


FIG. 3

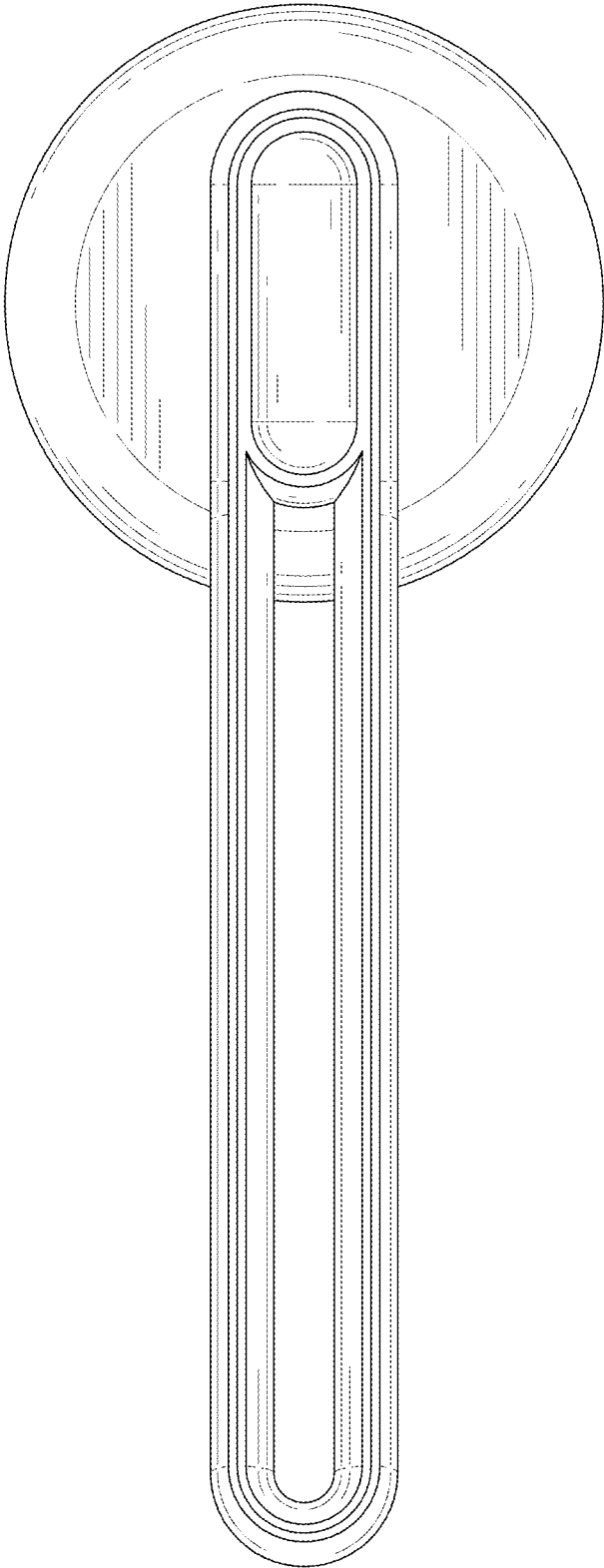


FIG. 4

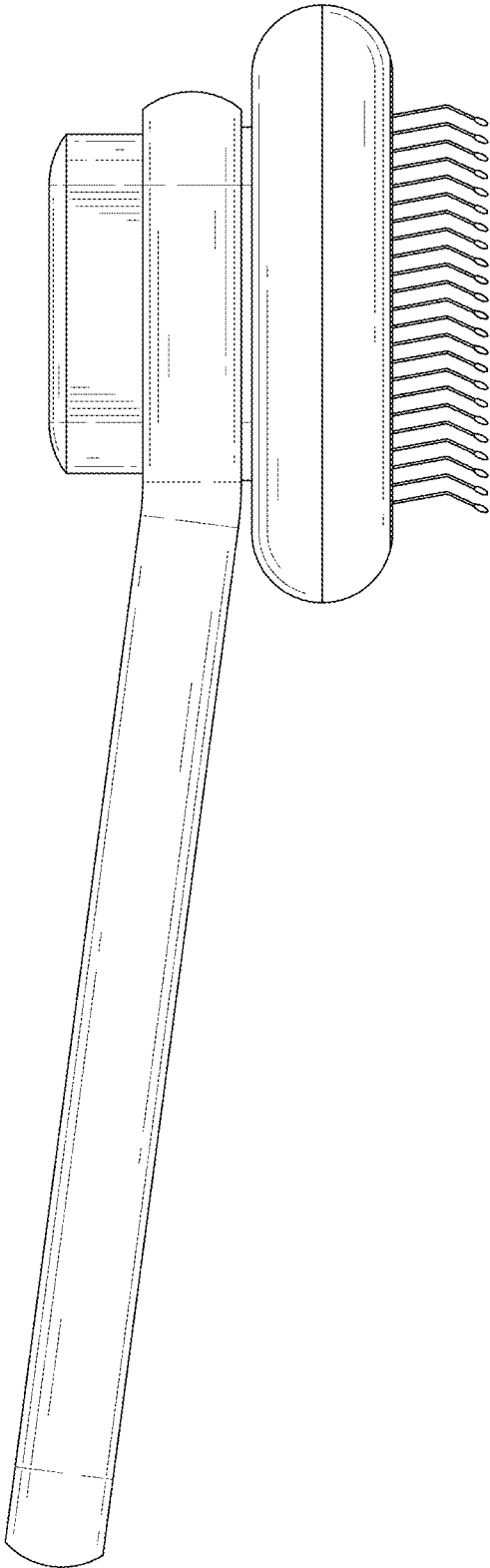


FIG. 5

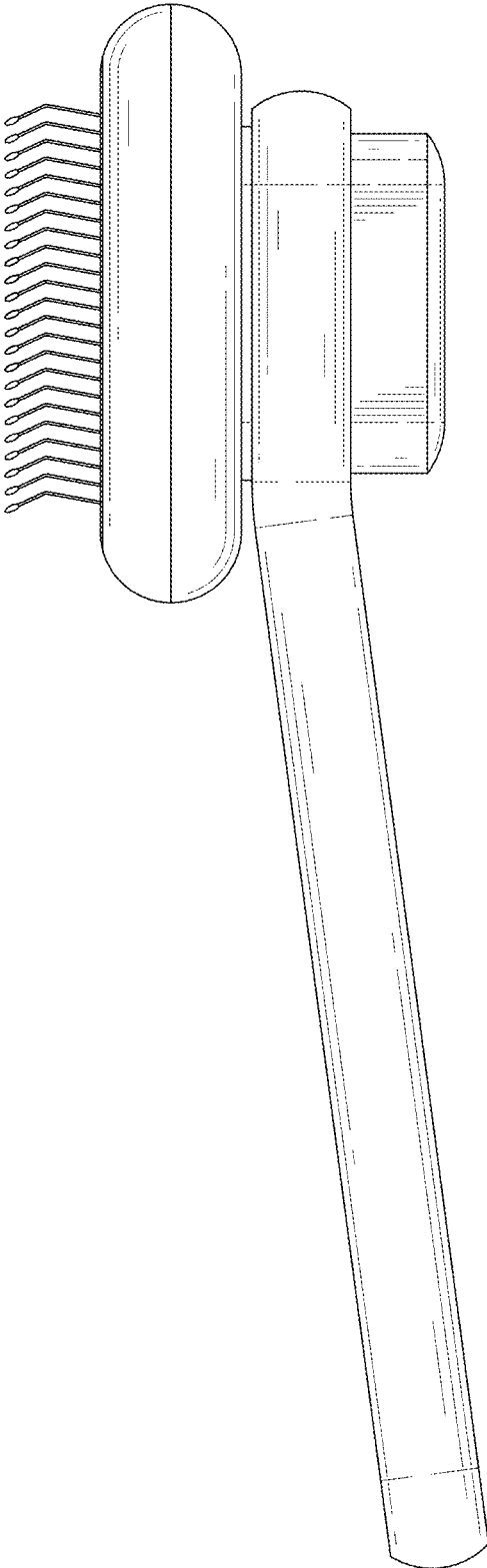


FIG. 6

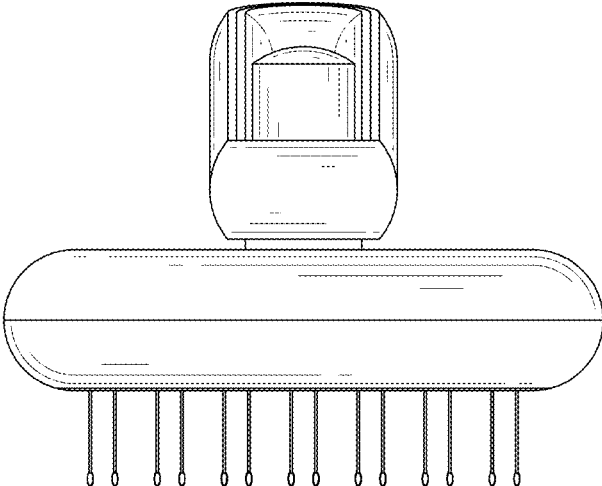


FIG. 7

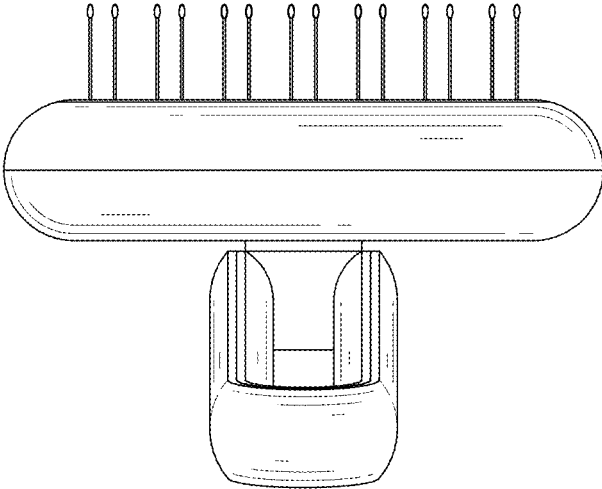


FIG. 8

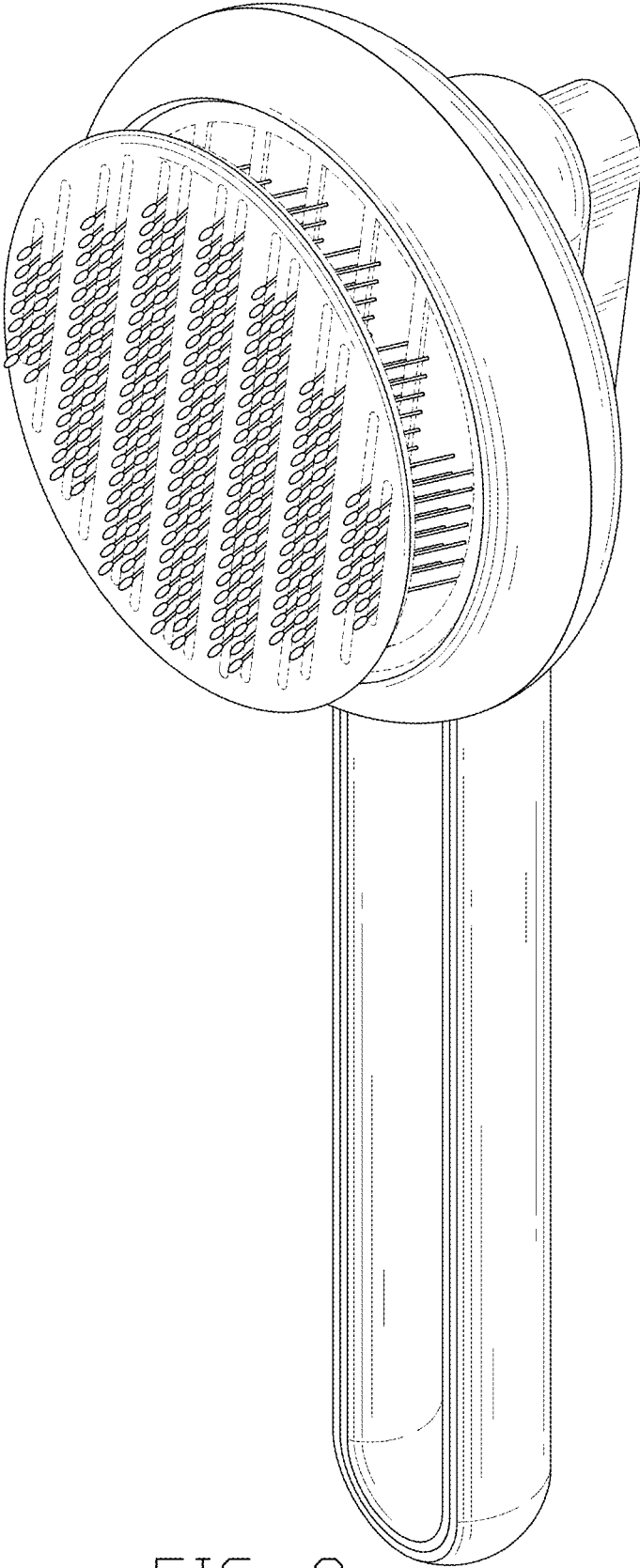


FIG. 9