



US00D704693S

(12) **United States Design Patent**
Kim

(10) **Patent No.:** **US D704,693 S**

(45) **Date of Patent:** **** May 13, 2014**

(54) **CASE FOR ELECTRONIC DEVICE**

(71) Applicant: **Samsung Electronics Co., Ltd.**,
Suwon-si (KR)

(72) Inventor: **Yoon-Young Kim**, Seongnam-Si (KR)

(73) Assignee: **Samsung Electronics Co., Ltd.**,
Suwon-si (KR)

(**) Term: **14 Years**

(21) Appl. No.: **29/448,667**

(22) Filed: **Mar. 13, 2013**

(51) **LOC (10) Cl.** **14-03**

(52) **U.S. Cl.**
USPC **D14/250**

(58) **Field of Classification Search**

USPC D14/250–253, 440, 203.3–203.7, 217,
D14/496, 248, 238.1, 240, 447, 341–347,
D14/444; D13/103, 107–108, 119; D3/201,
D3/218, 269, 273, 301, 303, 247–253;
248/309.1, 371, 176.3, 668;
361/679.56, 679.3, 679.25, 816;
379/426, 433.11, 455; 455/575.1,
455/575.8; 206/305, 320; 320/108, 115;
429/96; 220/4.02; 150/165; 16/225;
D19/26, 32

See application file for complete search history.

(56) **References Cited**

U.S. PATENT DOCUMENTS

2,331,512	A	*	10/1943	Siedschlag	16/225
D149,520	S	*	5/1948	Rolfs	D3/250
D161,422	S	*	1/1951	Chase	D3/251
D176,444	S	*	12/1955	Chase	D3/249
D216,173	S	*	11/1969	Kogutt	D3/249
3,670,358	A	*	6/1972	Schwartz et al.	16/225
D241,280	S	*	8/1976	Price	D3/251
D290,375	S	*	6/1987	Nava	D19/26
D312,533	S	*	12/1990	Rolfs	D3/250
5,015,028	A	*	5/1991	Bonnett	160/231.1

D322,987	S	*	1/1992	Testro et al.	D19/26
D346,618	S	*	5/1994	Holmes	D19/32
D487,050	S	*	2/2004	Hassett	D12/417
D487,110	S	*	2/2004	Hendee et al.	D19/26
D496,066	S	*	9/2004	Ara	D19/26
D524,538	S	*	7/2006	Gonzalez	D3/247
D548,961	S	*	8/2007	Dohner	D3/247
D551,846	S	*	10/2007	Ko et al.	D3/201
D564,020	S	*	3/2008	Brown	D19/26
D582,405	S	*	12/2008	Andre et al.	D3/299

(Continued)

OTHER PUBLICATIONS

Dark chocolate bifold leather iPhone wallet by AwesomeWomen, webpage copyright 2013, <URL:http://www.etsy.com/listing/93265653/dark-chocolate-bifold-leather-iphone>, retrieved from internet on Jul. 26, 2013.*

(Continued)

Primary Examiner — Carla Jobe Wright

(74) *Attorney, Agent, or Firm* — NSIP Law

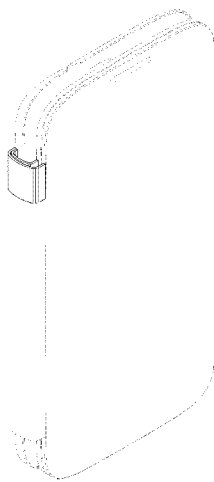
(57) **CLAIM**

The ornamental design for a case for electronic device, as shown and described.

DESCRIPTION

FIG. 1 is a front perspective view of a case for electronic device showing my new design; FIG. 2 is a front view thereof; FIG. 3 is a rear view thereof; FIG. 4 is a left-side view thereof; FIG. 5 is a right-side view thereof; FIG. 6 is a top plan view thereof; FIG. 7 is a bottom plan view thereof; FIG. 8 is an open perspective view thereof; and, FIG. 9 is an open rear perspective view thereof. The unclaimed dot-dash lines show the boundary of the claimed design. The dash-dash broken lines depict unclaimed environment.

1 Claim, 7 Drawing Sheets



(56)

References Cited

OTHER PUBLICATIONS

U.S. PATENT DOCUMENTS

D593,749 S * 6/2009 Holzner et al. D3/247
7,607,198 B2 * 10/2009 Shimomura 16/225
D652,829 S * 1/2012 Kim et al. D14/250
D678,260 S * 3/2013 Bau D14/250
D685,799 S * 7/2013 Canizares et al. D14/440
2013/0165190 A1 * 6/2013 Ko et al. 455/575.8

Dark chocolate bifold leather iPhone wallet by AwesomeWomen, 1 capture on Jun. 28, 2013, <URL:<http://web.archive.org/web/20130628032413/http://www.etsy.com/listing/93265653/dark-chocolate-bifold-leather-iphone>>, retrieved from internet on Jul. 26, 2013.*

* cited by examiner

FIG. 1

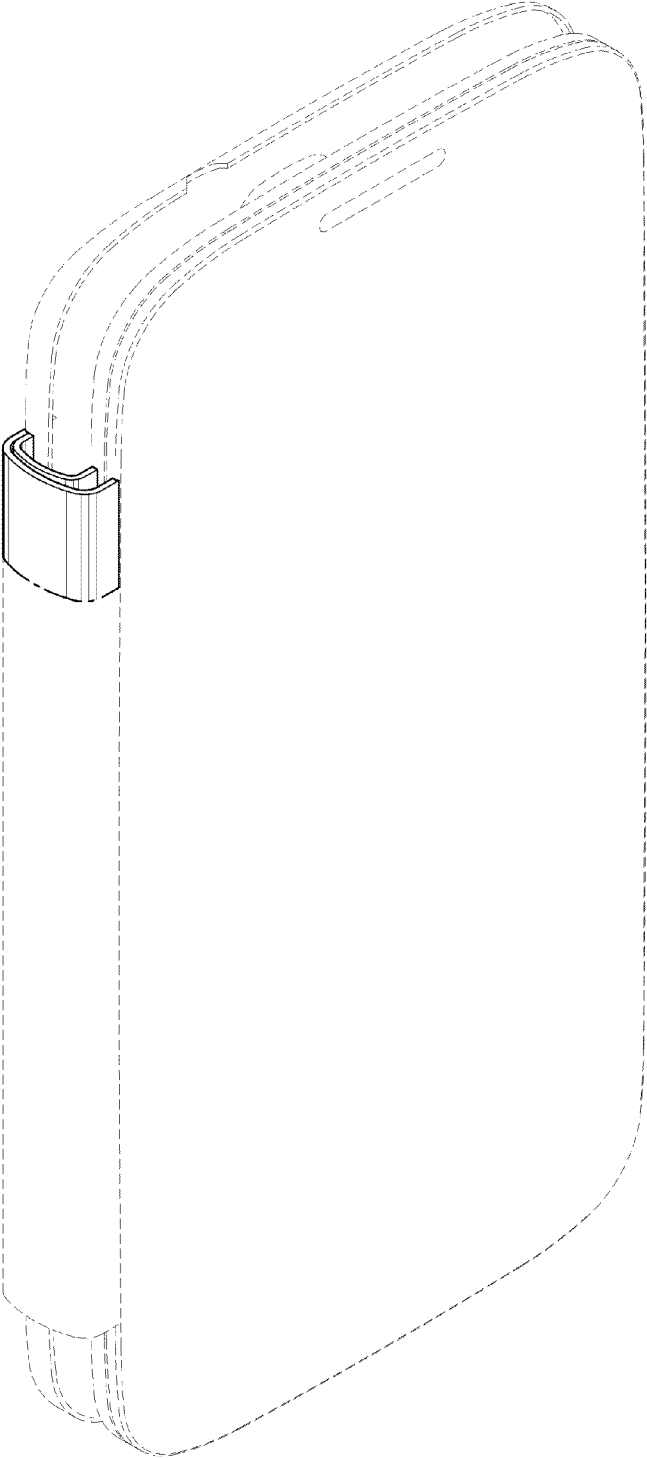


FIG. 2

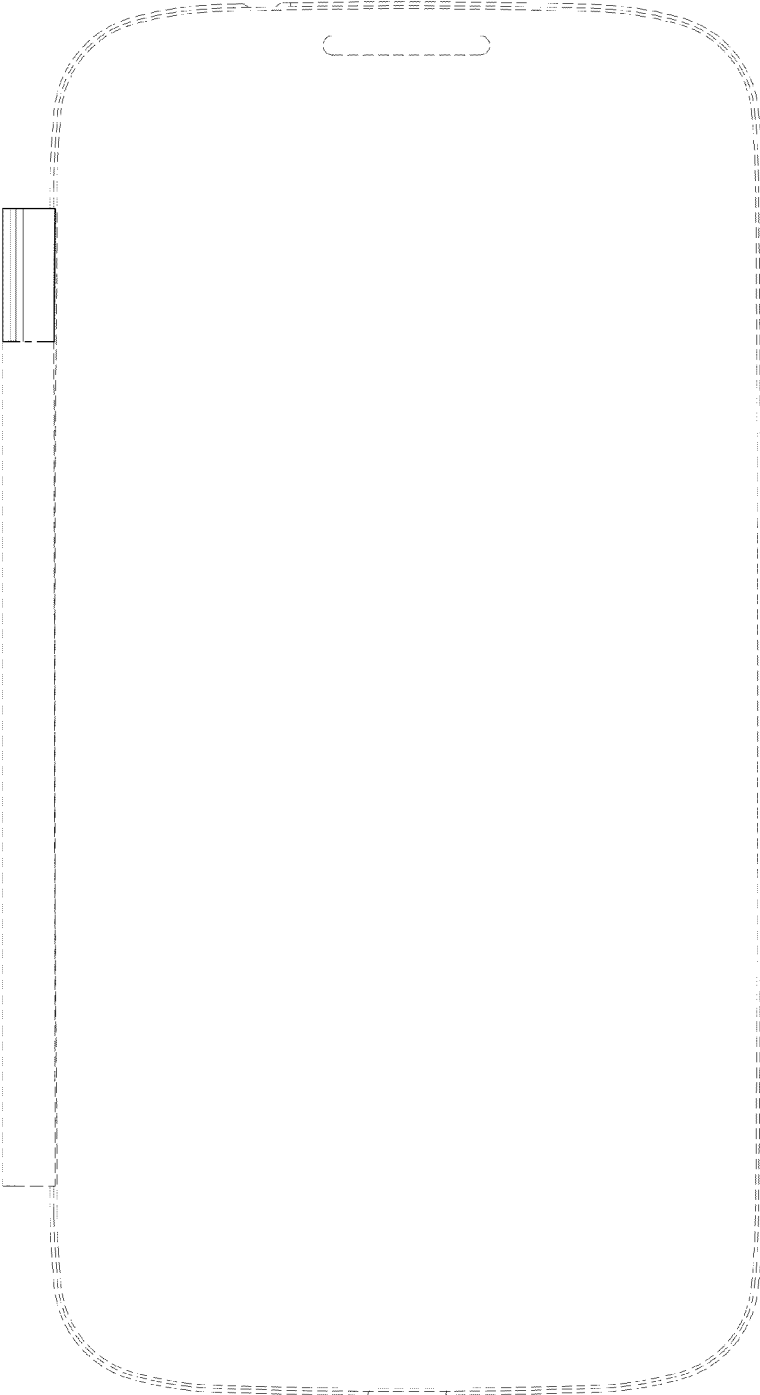


FIG. 3

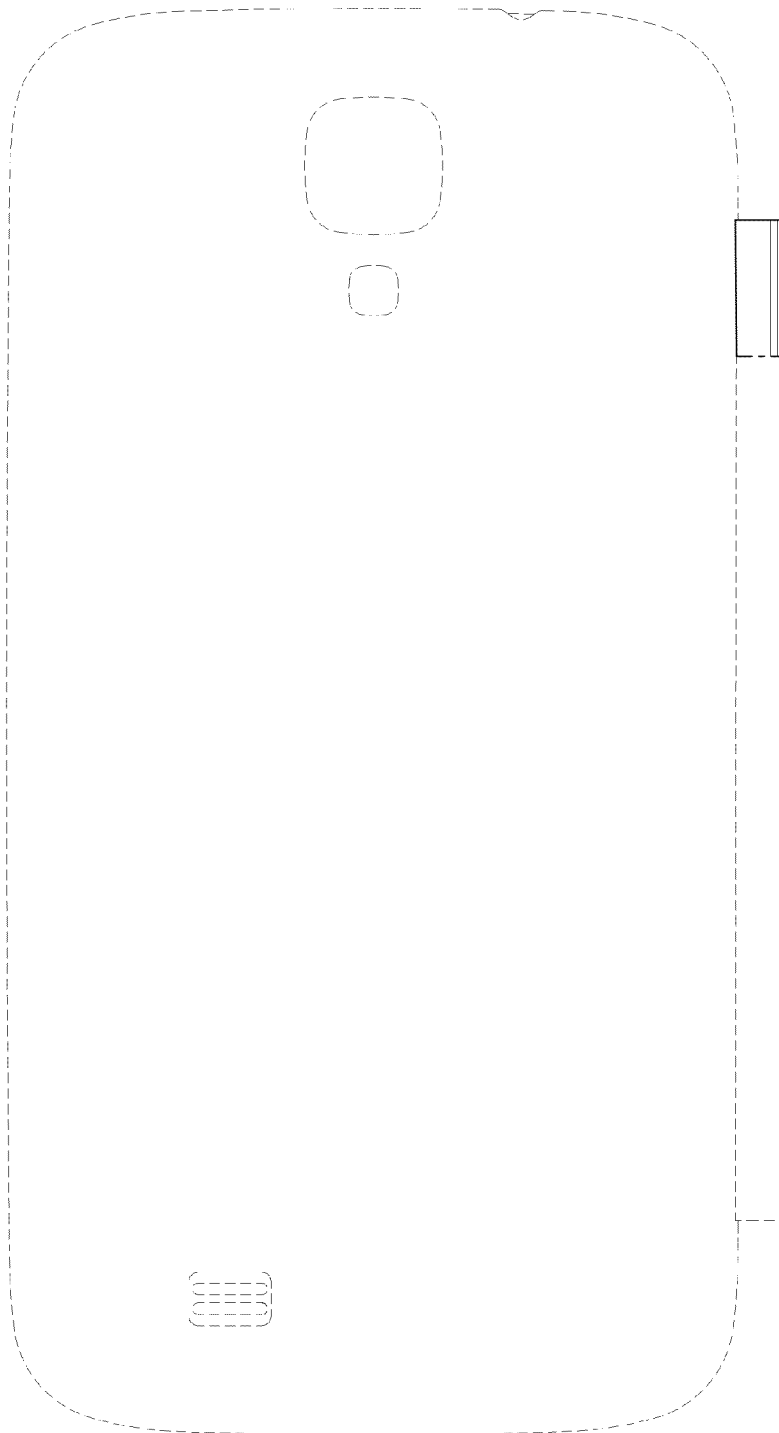


FIG. 4

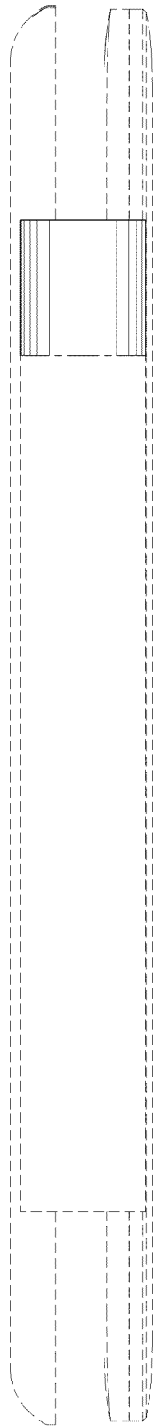


FIG. 5



FIG. 6



FIG. 7

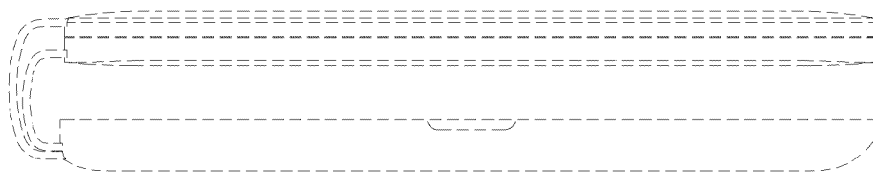


FIG. 8

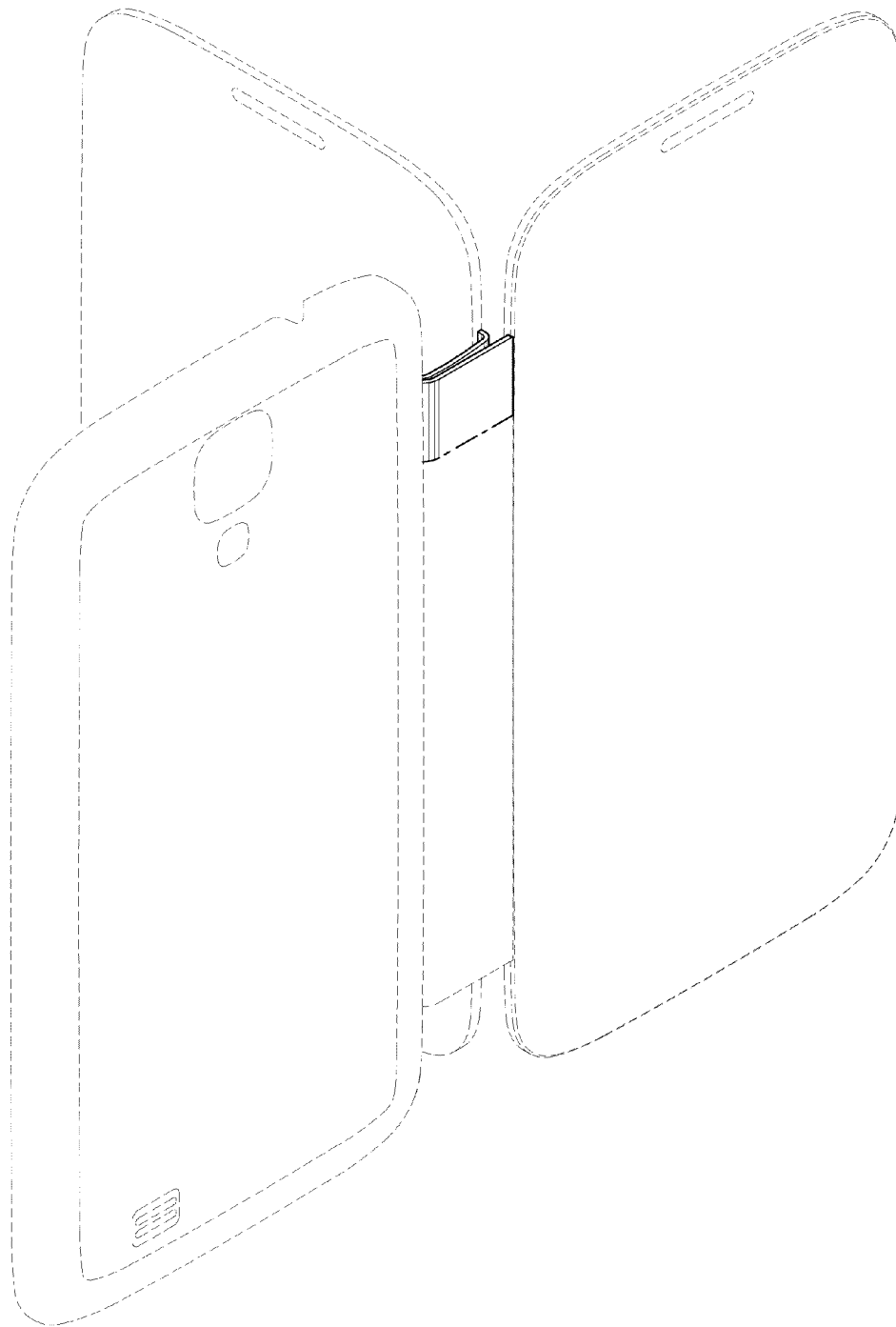


FIG. 9

