



US00D774339S

(12) **United States Design Patent**
Parshad

(10) **Patent No.:** **US D774,339 S**

(45) **Date of Patent:** **** Dec. 20, 2016**

- (54) **DESKTOP PRIVACY PANEL**
- (71) Applicant: **Inscape Corporation**, Holland Landing (CA)
- (72) Inventor: **David Parshad**, Markham (CA)
- (73) Assignee: **Inscape Corporation**, Holland Landing, Ontario (CA)

6,712,433 B2 *	3/2004	Hellwig	A47B 21/06	312/196
8,109,215 B2 *	2/2012	Kitada	A47B 21/00	108/50.02
D661,112 S *	6/2012	Grandin	D6/332	
D690,118 S *	9/2013	Grandin	D6/332	
D727,036 S *	4/2015	Tsuchiyama	D6/332	
D732,866 S *	6/2015	Terwelp	D6/702	
2004/0250480 A1 *	12/2004	Matthai	A47B 21/00	52/36.1

(**) Term: **14 Years**

* cited by examiner

(21) Appl. No.: **29/496,786**

Primary Examiner — Mary Ann Calabrese

(22) Filed: **Jul. 17, 2014**

(74) *Attorney, Agent, or Firm* — Riches, McKenzie & Herbert LLP

(51) **LOC (10) Cl.** **06-06**

(52) **U.S. Cl.**

USPC **D6/714**

(58) **Field of Classification Search**

USPC ... D6/332, 643, 643.1, 702, 703, 703.1, 714
CPC A47B 21/00; A47B 21/03; A47B 21/06;
A47G 5/00; A47G 5/02

See application file for complete search history.

(56) **References Cited**

U.S. PATENT DOCUMENTS

2,688,525 A *	9/1954	Lindstrom	A47B 21/03	108/60
D457,359 S *	5/2002	Chan	D6/714	

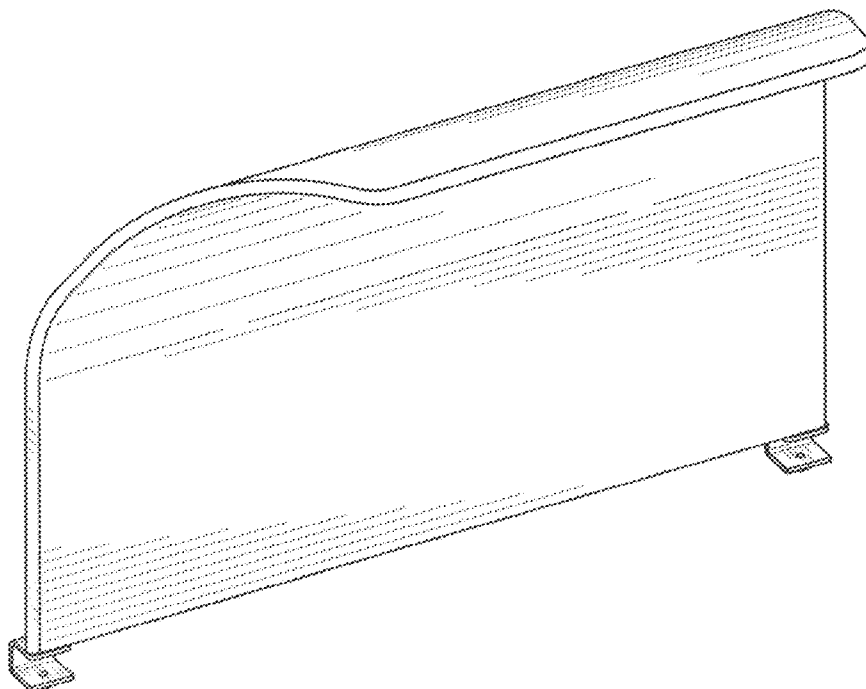
(57) **CLAIM**

I claim the ornamental design for a desktop privacy panel, as shown.

DESCRIPTION

FIG. 1 is a perspective view of the design;
FIG. 2 is a front view of the design of FIG. 1;
FIG. 3 is a back view of the design of FIG. 1;
FIG. 4 is a top view of the design of FIG. 1;
FIG. 5 is a bottom view of the design of FIG. 1;
FIG. 6 is a left side view of the design of FIG. 1; and,
FIG. 7 is a right side view of the design of FIG. 1.

1 Claim, 4 Drawing Sheets



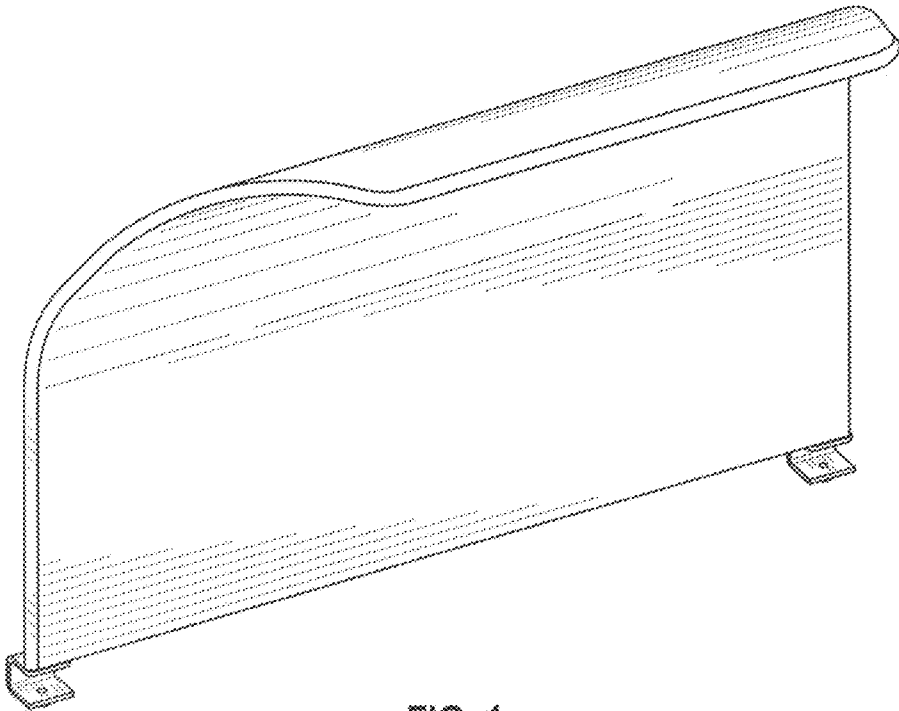


FIG. 1

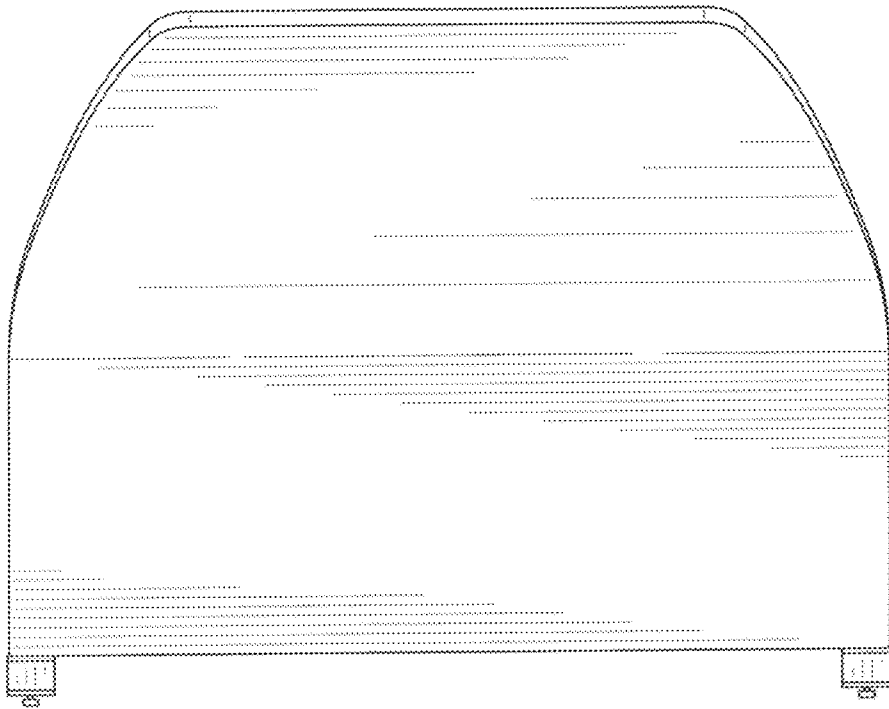


FIG. 2

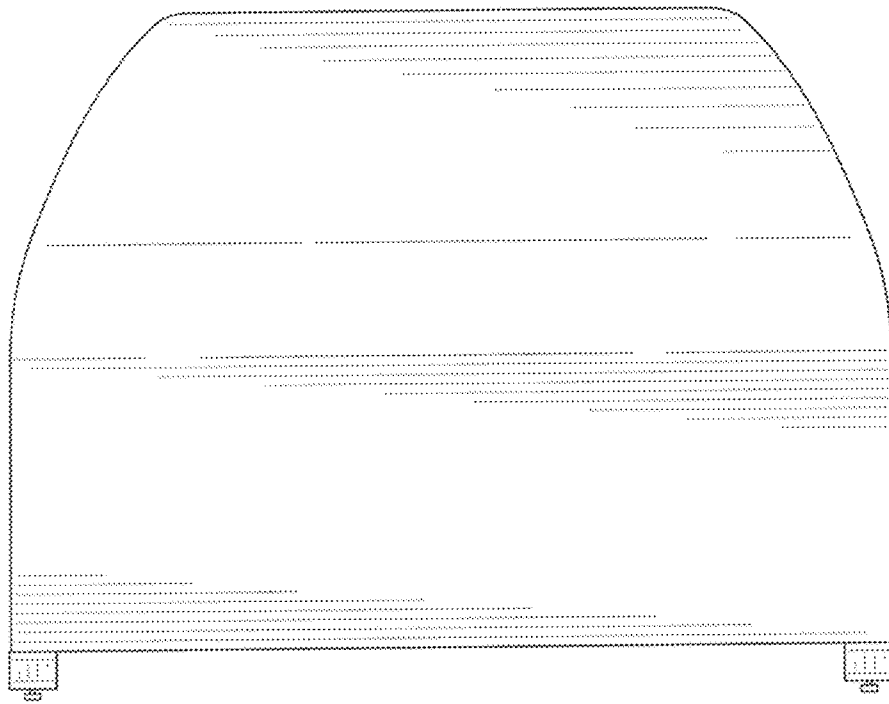


FIG. 3

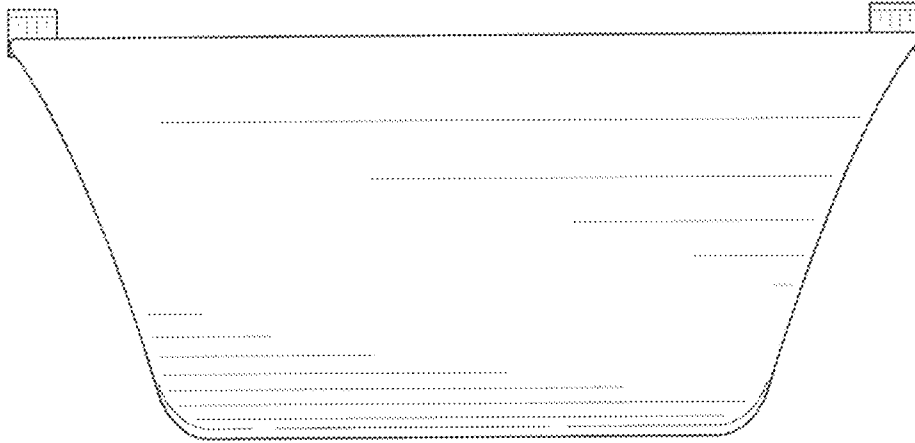


FIG. 4

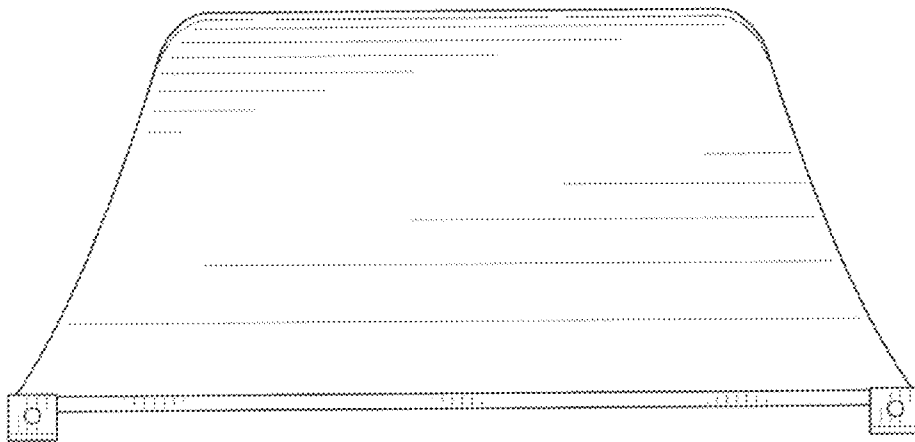


FIG. 5

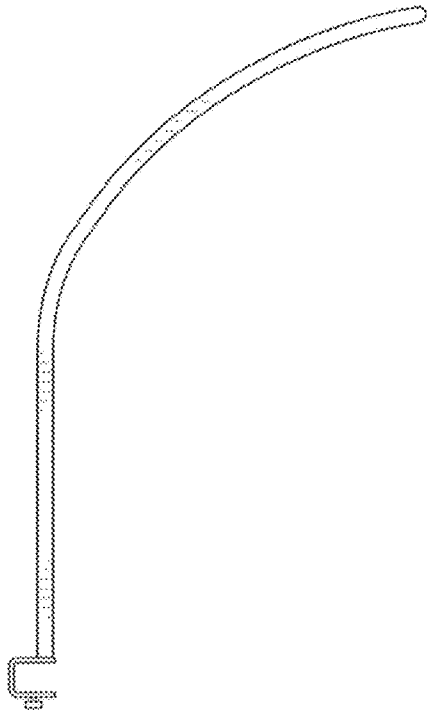


FIG. 6

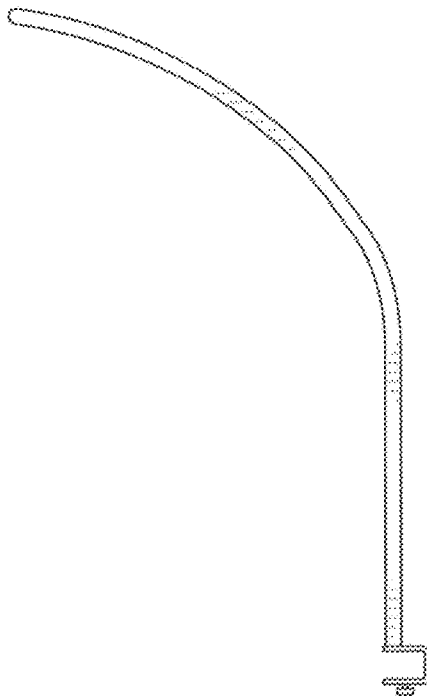


FIG. 7