



US00D869418S

(12) **United States Design Patent** (10) **Patent No.:** **US D869,418 S**
Lim et al. (45) **Date of Patent:** **** Dec. 10, 2019**

(54) **TELEVISION SCREEN**
(71) Applicant: **LG ELECTRONICS INC.**, Seoul (KR)
(72) Inventors: **Jaewon Lim**, Seoul (KR); **Yongho Lee**, Seoul (KR)
(73) Assignee: **LG Electronics Inc.**, Seoul (KR)
(**) Term: **15 Years**
(21) Appl. No.: **35/506,245**
(22) Filed: **Jun. 19, 2018**
(80) **Hague Agreement Data**
Int. Filing Date: **Jun. 19, 2018**
Int. Reg. No.: **DM/102828**
Int. Reg. Date: **Jun. 19, 2018**
Int. Reg. Pub. Date: **Dec. 21, 2018**

D687,825 S *	8/2013	Lee	D14/341
D687,826 S *	8/2013	Jeon	D14/341
D692,420 S *	10/2013	McManigal	D14/341
D700,154 S *	2/2014	Zimmer	D14/126
D712,855 S *	9/2014	Thompson	D14/126
D720,746 S *	1/2015	Chung	D14/341
D722,986 S *	2/2015	Zwier	D14/126
D726,136 S *	4/2015	Cho	D14/126
D729,793 S *	5/2015	Hickok	D14/126
D732,491 S *	6/2015	Choi	D14/126
D738,876 S *	9/2015	Hwang	D14/341
D746,810 S *	1/2016	Fujimoto	D14/341
D748,092 S *	1/2016	Fujimoto	D14/341
D750,621 S *	3/2016	Loor	D14/203.7
D755,744 S *	5/2016	Williams, Jr.	D14/126
D757,671 S *	5/2016	Bouroullec	D14/126
D771,620 S *	11/2016	Kim	D14/341
D778,279 S *	2/2017	Pendse	D14/341
D778,857 S *	2/2017	Liu	D14/126
D795,249 S *	8/2017	Wall	D14/341
D805,050 S *	12/2017	Lim	D14/126

(Continued)

Primary Examiner — George D. Kirschbaum
Assistant Examiner — L. A. Grabenstetter
(74) *Attorney, Agent, or Firm* — Birch, Stewart, Kolasch & Birch, LLP

(30) **Foreign Application Priority Data**
Dec. 27, 2017 (KR) 30-2017-0061790
(51) **LOC (12) CL.** **14-03**
(52) **U.S. Cl.**
USPC **D14/126; D14/341**
(58) **Field of Classification Search**
USPC D6/300, 308, 310; D14/125, 126, 127, D14/128, 129, 132, 336, 341, 373, 374, D14/375, 376, 377
CPC G06F 1/1601; G06F 1/1605; G06F 1/162
See application file for complete search history.

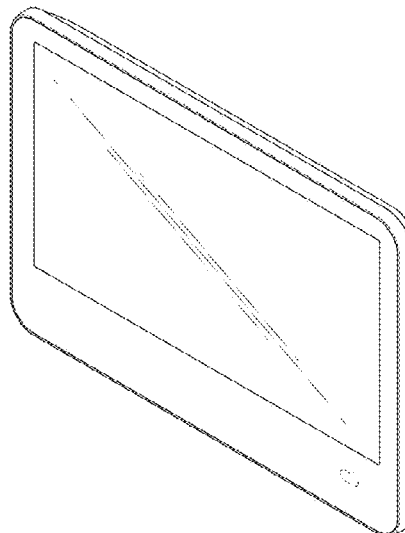
(57) **CLAIM**
The ornamental design for a television screen, as shown and described.

DESCRIPTION

1. Television screen
1.1 : Perspective
1.2 : Front
1.3 : Back
1.4 : Left
1.5 : Right
1.6 : Top
1.7 : Bottom
The broken lines depict portions of the television screen that form no part of the claimed design.

1 Claim, 7 Drawing Sheets

(56) **References Cited**
U.S. PATENT DOCUMENTS
D541,771 S * 5/2007 Chung D14/126
D545,777 S * 7/2007 Kim D14/126
D571,560 S * 6/2008 Liu D14/126



(56)

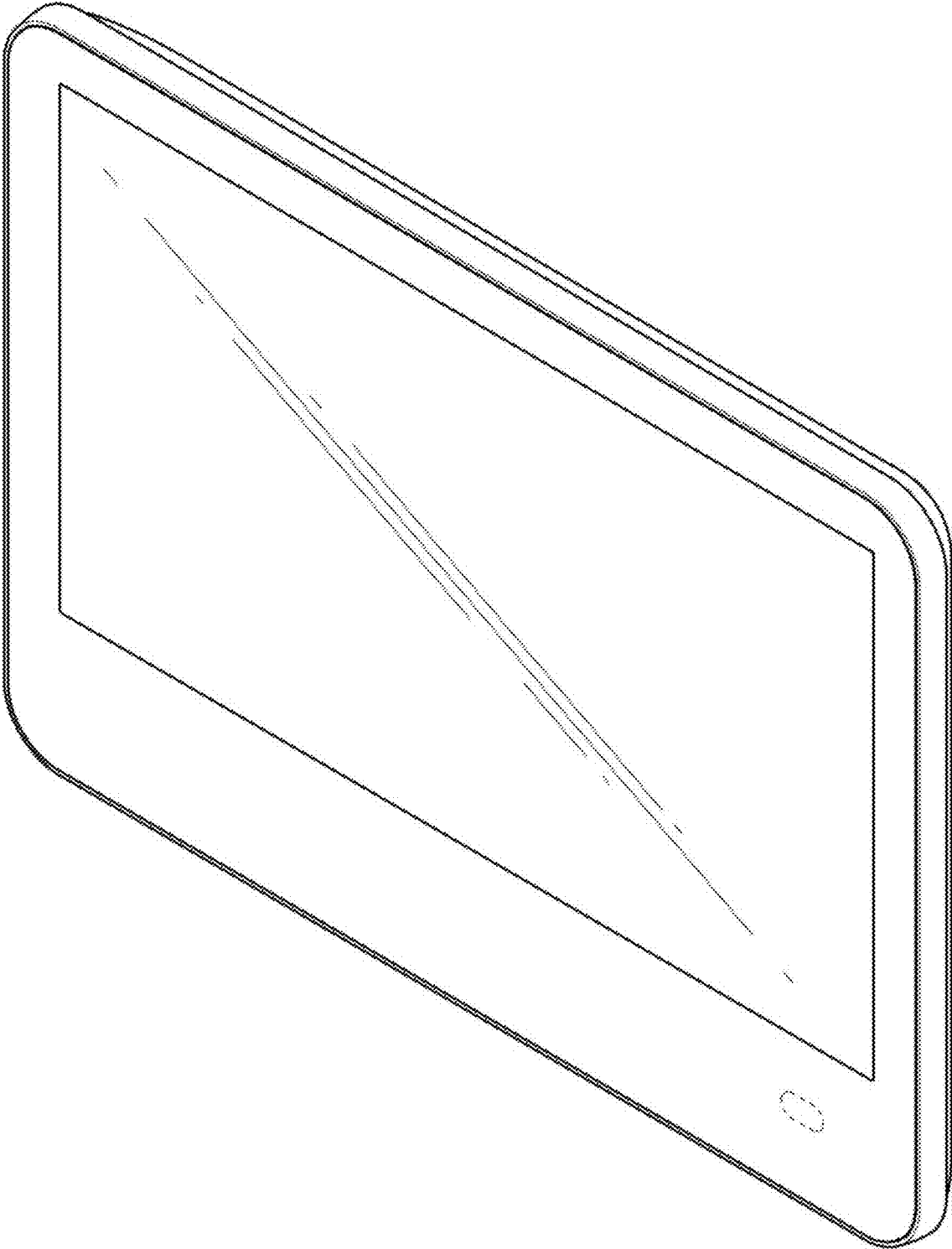
References Cited

U.S. PATENT DOCUMENTS

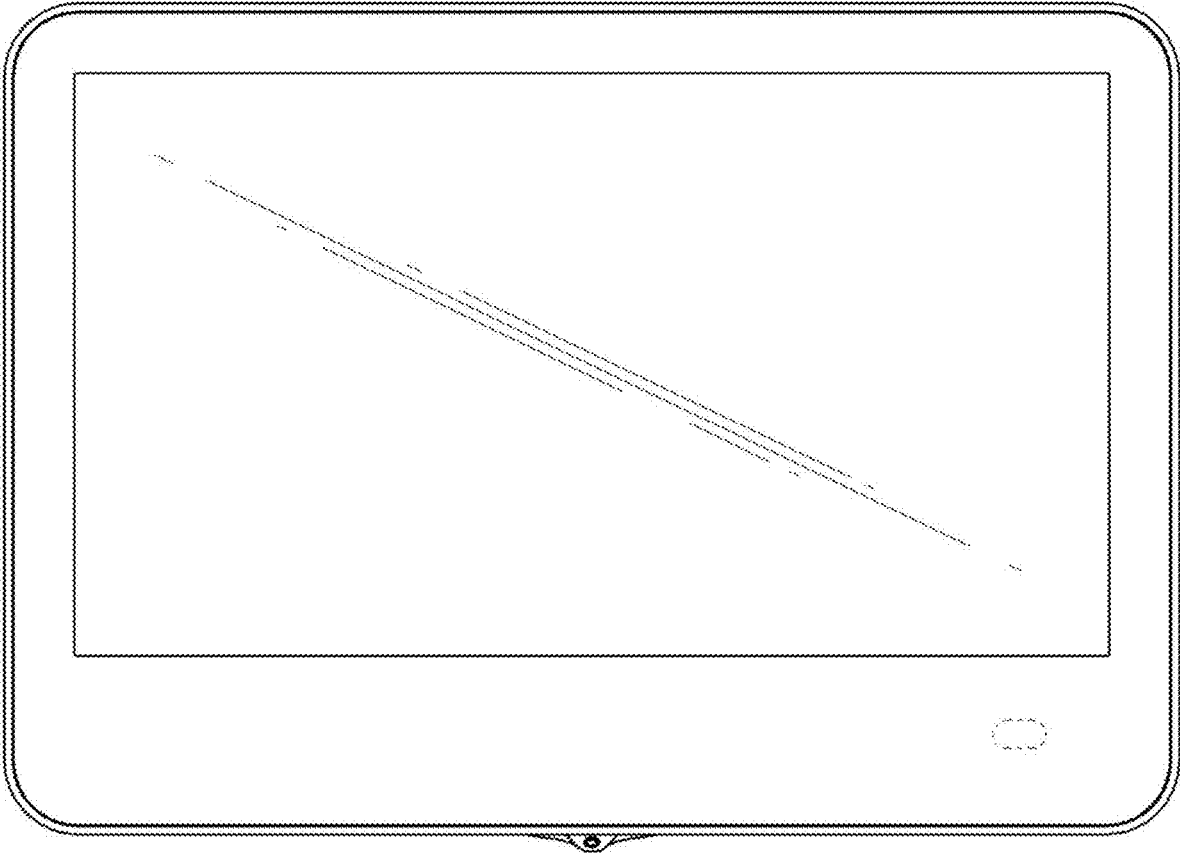
D812,026 S * 3/2018 Margis D14/126
D819,585 S * 6/2018 Kang D14/126

* cited by examiner

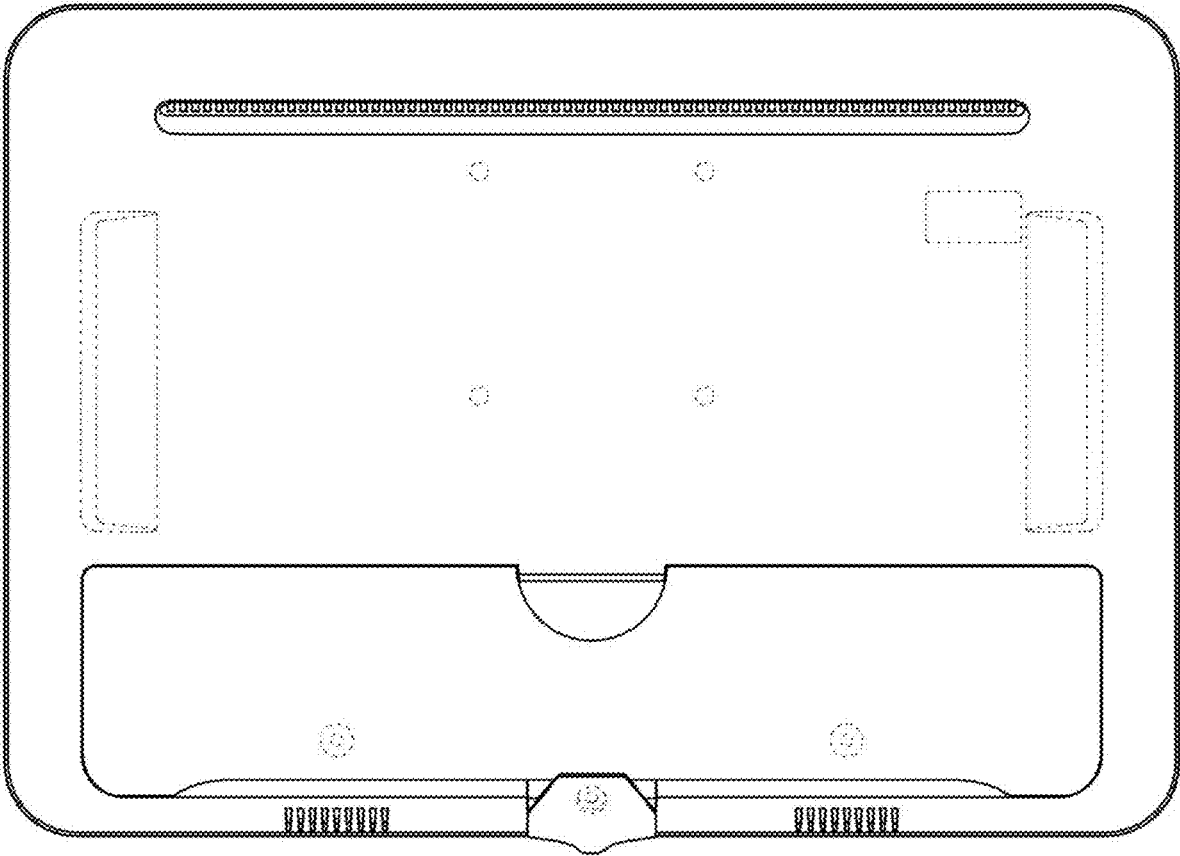
1.1



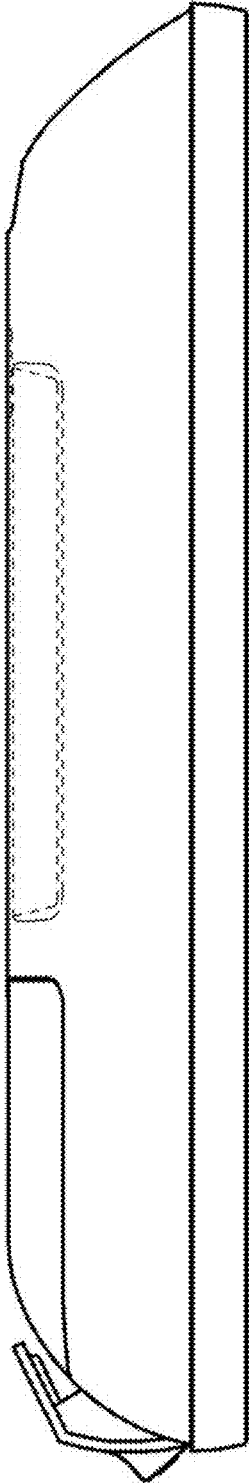
1.2



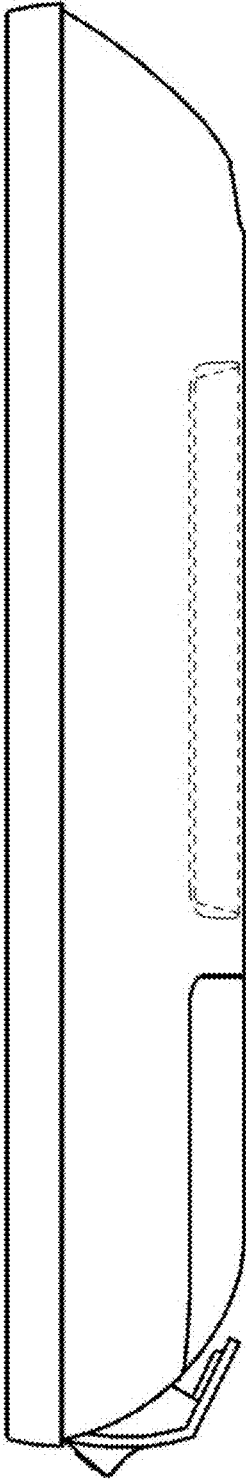
1.3



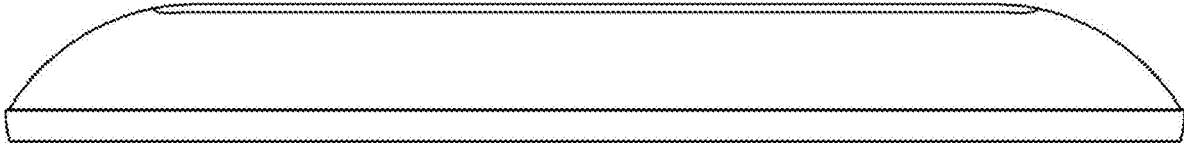
1.4



1.5



1.6



1.7

